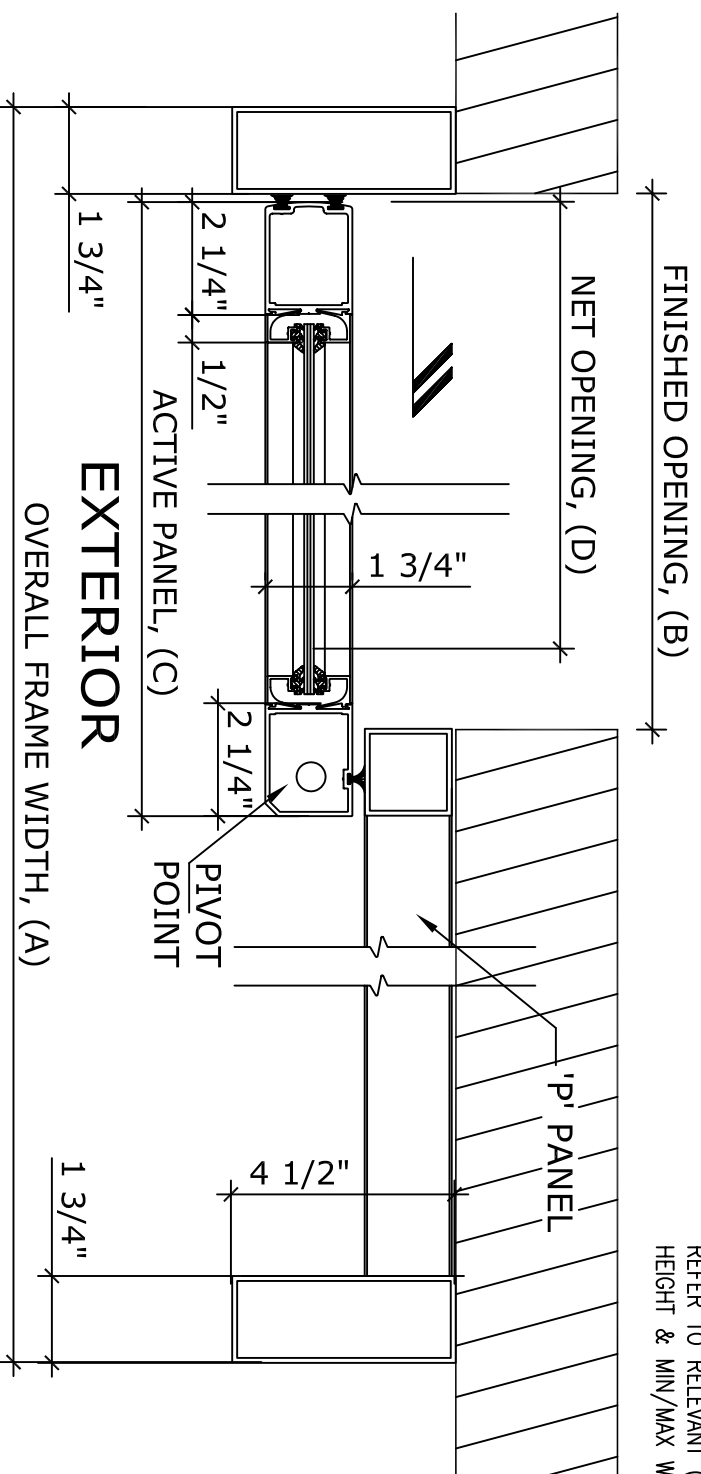
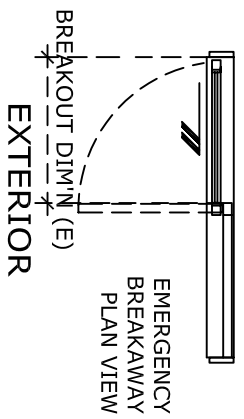
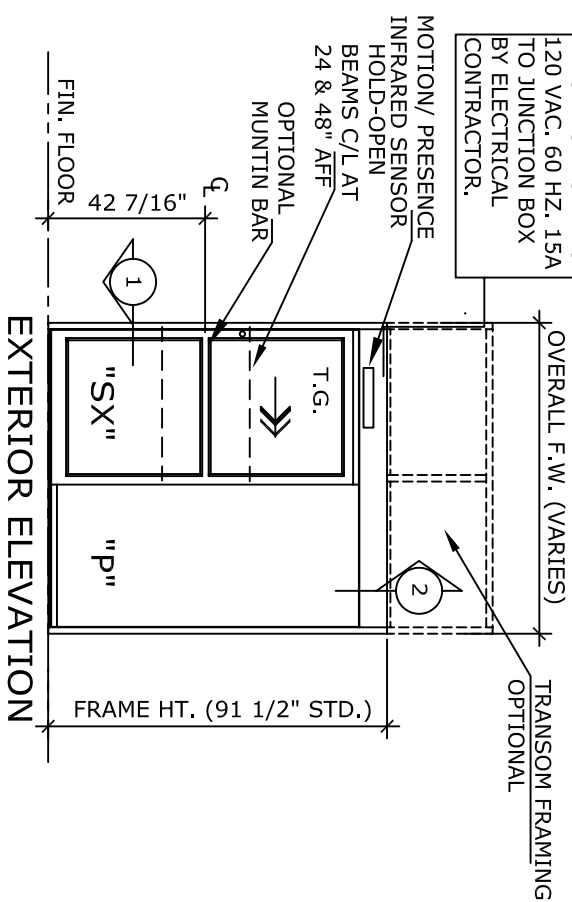


ELECTRICAL SERVICE
120 VAC, 60 HZ, 15A
TO JUNCTION BOX
BY ELECTRICAL
CONTRACTOR.



1 HORIZONTAL SECTION

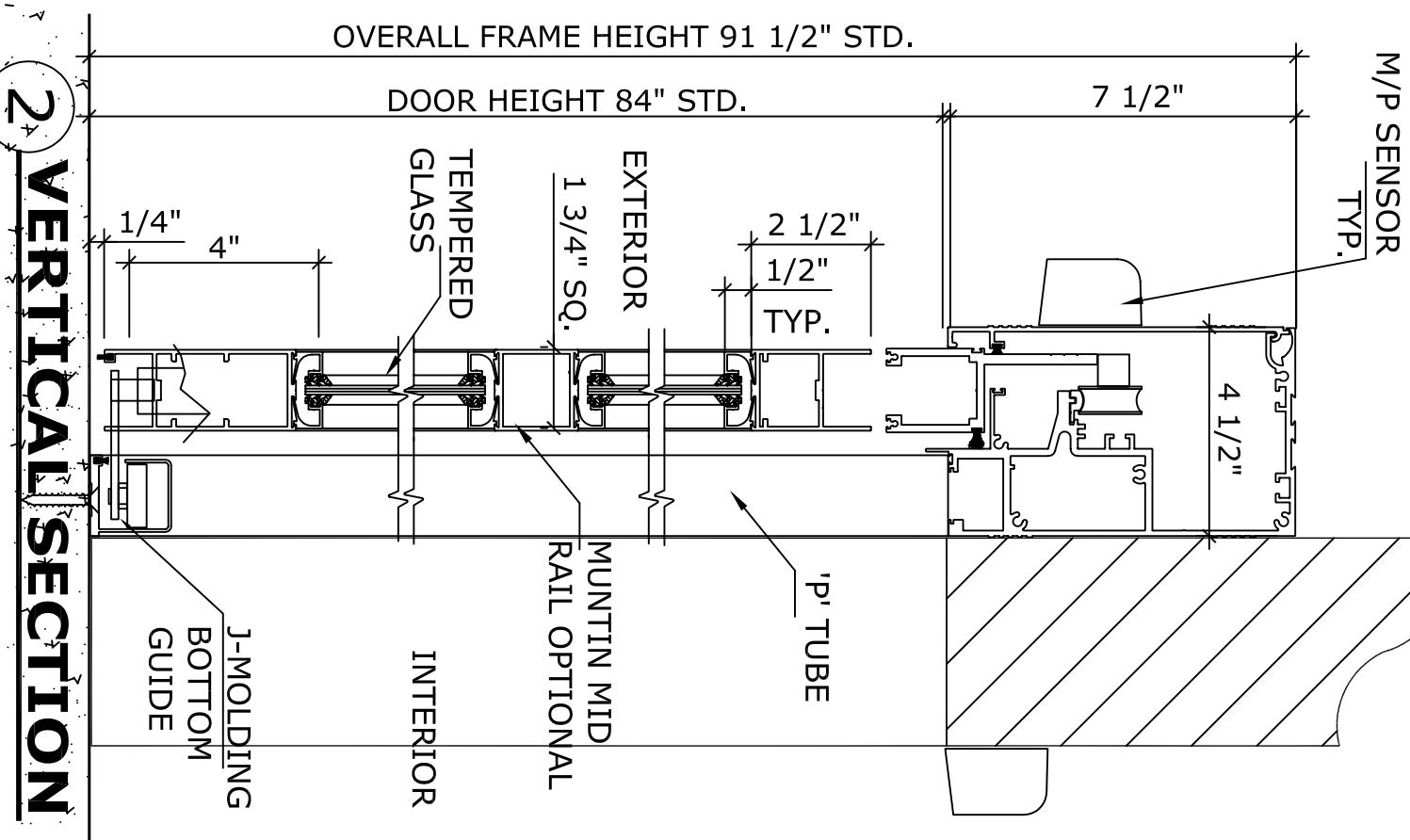
NOTE:
AUTOMATIC SLIDING DOOR OPERATOR SHALL BE "DS-18" CUL USA
APPROVED, CONFORMING TO UL STD. 325 & ANSI-BHMA STD. A156.10
CERTIFIED TO CAN. CSA STD. C22.2#24-93 AS MANUFACTURED BY
HUNTER ACCESS TECHNOLOGIES INC.

STANDARD FINISH: ANODIZED, CLEAR; DARK BRONZE;
SPECIAL FINISHES ARE AVAILABLE

UNIT DESCRIPTION					
HUNTER DS-18-1-SFLR					
DOOR TYPE:	OVERALL FRAME WIDTH	FINISHED OPENING WIDTH	ACTIVE PANEL WIDTH	NET DOOR OPENING	BREAK OUT DIM'N
DS18-1-SFLR-	84"	40 1/4"	42"	36 1/2"	40 1/4"
SFLR-7	96"	46 1/4"	48"	42 1/2"	46 1/4"
SFLR-8	108"	52 1/4"	54"	48 1/2"	52 1/4"
SFLR-9	2(B+1 3/4)	(A/2-1 3/4)	(B+1 3/4)	(B-3 3/4)	(A/2-1 3/4)
KEY (INCHES)	REFER TO RELEVANT (LOCAL, STATE, NATIONAL OR AHJ) BUILDING CODE FOR MIN DOOR HEIGHT & MIN/MAX WIDTH ALLOWABLE FOR EGRESS REQUIREMENT.				

STD. PACKAGE SHALL INCLUDE AUTOMATIC OPERATOR, FRAME AND DOORS WITH MUNTIN, 4" BOTTOM RAILS WITH CONCEALED SWEEP, BRUSH-PILE WEATHER STRIPPING, EMERGENCY BREAKAWAY, MS LOCK, GLAZING STOPS FOR 1/4" TEMPERED GLASS. CONCEALED BOTTOM GUIDE IN 'J' MOLDING OF FIXED 'P' PANEL, DUAL DOORWAY SAFETY BEAMS, 3-POSITION SWITCH & MOTION/PRESENCE SENSORS.

APPLICATION:
DS-18-1-SFLR. SURFACE MOUNT RIGHT HAND,
AUTOMATIC SLIDING DOOR SYSTEM.



2 VERTICAL SECTION

NOTE:
HUNTER ACCESS TECHNOLOGIES INC. RESERVES
THE RIGHT TO CHANGE & IMPROVE ITS
PRODUCTS & SPECIFICATIONS WITHOUT NOTICE.

Hunter
ACCESS TECHNOLOGIES INC.

125 KENYON DRIVE
SUITE #3
LAKEWOOD, NJ 08701
TEL. 732-942-6099
FAX. 732-942-6033
www.hunteraccesstechnologies.com

SHEET TITLE:	SHEET NO. 11
ARCHITECT:	SECTION DS
CONTRACTOR:	
SCALE:	DRAWN BY:
	DATE: