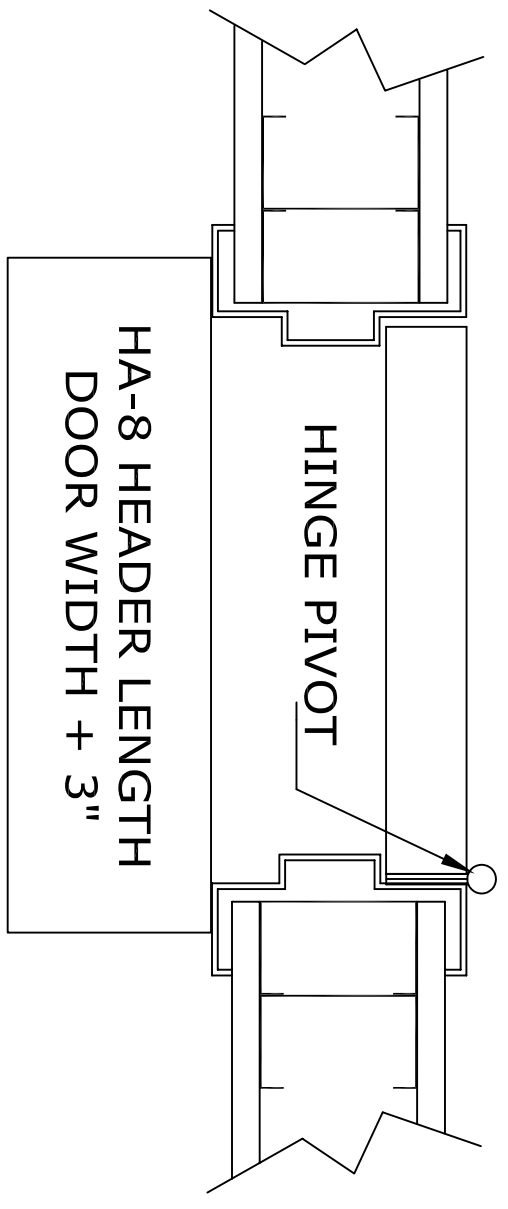
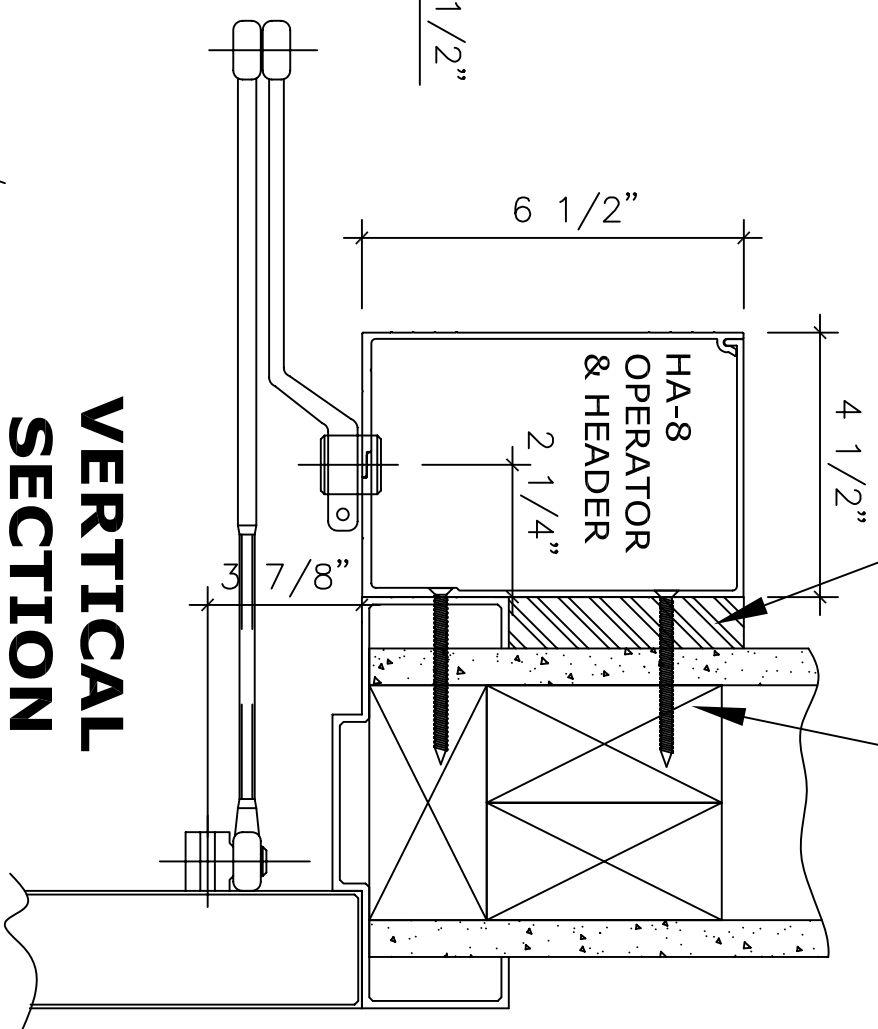


INTERIOR PLAN



INTERIOR HORIZONTAL SECTION



VERTICAL SECTION

FILLER PLATE AS REQUIRED BY OTHERS

REINFORCEMENT BY OTHERS

APPLICATION:
HA-8-1-3 LOW ENERGY OPERATOR
RIGHT HAND PUSH.

NOTE:
AUTOMATIC SWING DOOR OPERATOR SHALL BE "HA-8" CETL USA APPROVED, CONFORMING TO UL STD. 325 & ANSI-BHMA STD. A156.19 CERTIFIED TO CAN. CSA STD. C22.2#247 AS MANUFACTURED BY HUNTER ACCESS TECHNOLOGIES INC.
32" CLEAR OPENING REQUIRED TO MEET ADA REQUIREMENT.
STANDARD FINISH: CLEAR ANODIZE, DARK BRONZE,
SPECIAL FINISHES ARE AVAILABLE

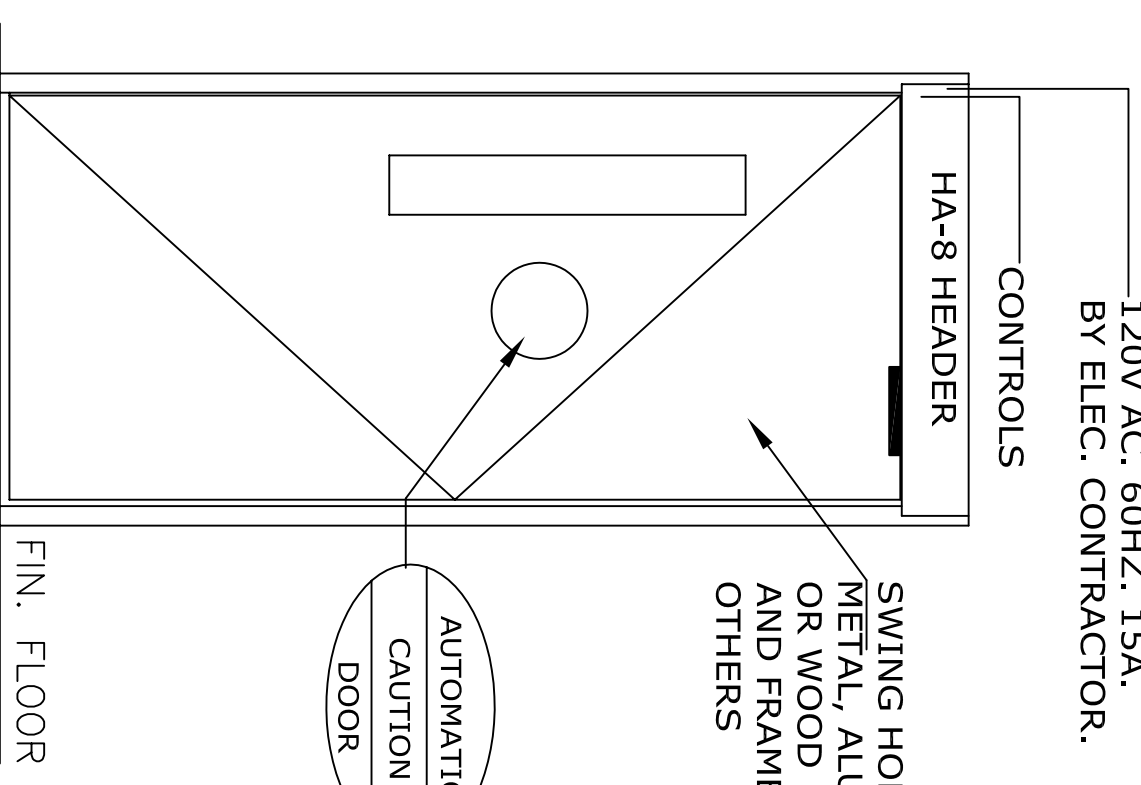
120V AC. 60HZ. 15A.
BY ELEC. CONTRACTOR.

CONTROLS

HA-8 HEADER

SWING HOLLOW METAL, ALUMINUM OR WOOD DOORS AND FRAMES BY OTHERS

AUTOMATIC CAUTION DOOR



ELEVATION

NOTE:
HUNTER ACCESS TECHNOLOGIES INC. RESERVES THE RIGHT TO CHANGE & IMPROVE ITS PRODUCTS & SPECIFICATIONS WITHOUT NOTICE.



125 KENYON DRIVE
SUITE #3
LAKewood, NJ 08701
TEL: 732-942-6099
FAX: 732-942-6033
www.hunteraccess technologies.com

SHEET TITLE:		SHEET NO.	
ARCHITECT:		1	
CONTRACTOR:		SECTION	
SCALE:	DRAWN BY:	DATE:	HA