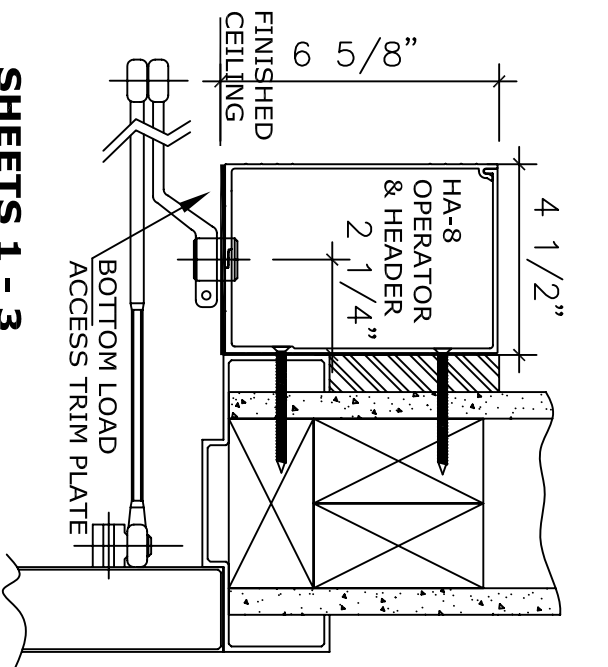


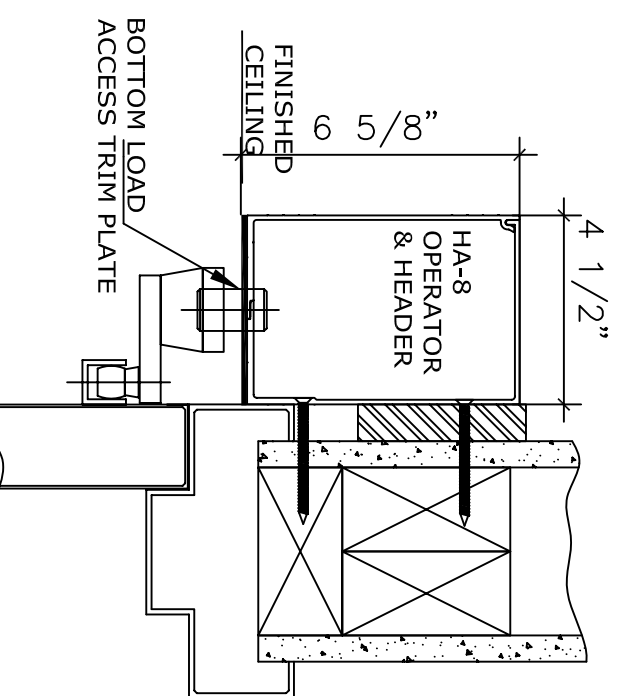
APPLICATION:
HA-8-1-BL LOW ENERGY OPERATOR
BOTTOM LOAD UNITS.

NOTE:
 AUTOMATIC SWING DOOR OPERATOR SHALL BE "HA-8" CETL USA APPROVED, CONFORMING TO UL STD. 325 & ANSI-BHMA STD. A156.19 CERTIFIED TO CAN. CSA STD. C22.2#247 AS MANUFACTURED BY HUNTER ACCESS TECHNOLOGIES INC.
 32" CLEAR OPENING REQUIRED TO MEET ADA REQUIREMENT.

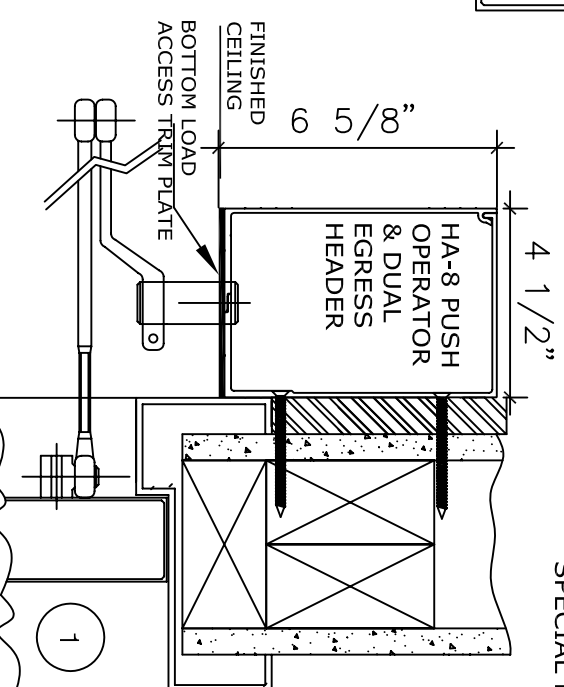
STANDARD FINISH: CLEAR ANODIZE, DARK BRONZE,
 SPECIAL FINISHES ARE AVAILABLE



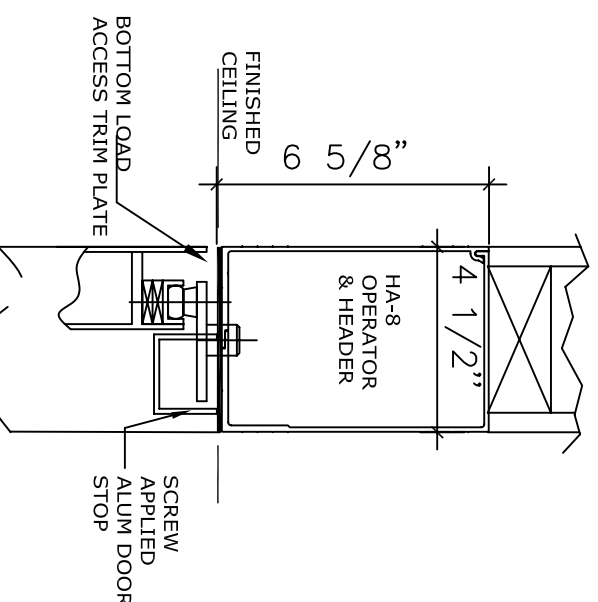
SHEETS 1 - 3



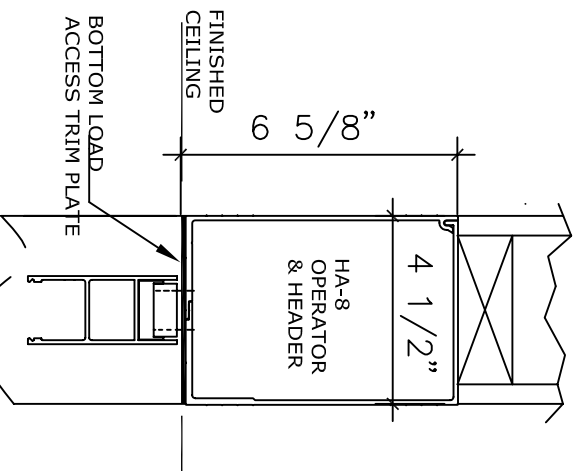
SHEETS 4 - 6



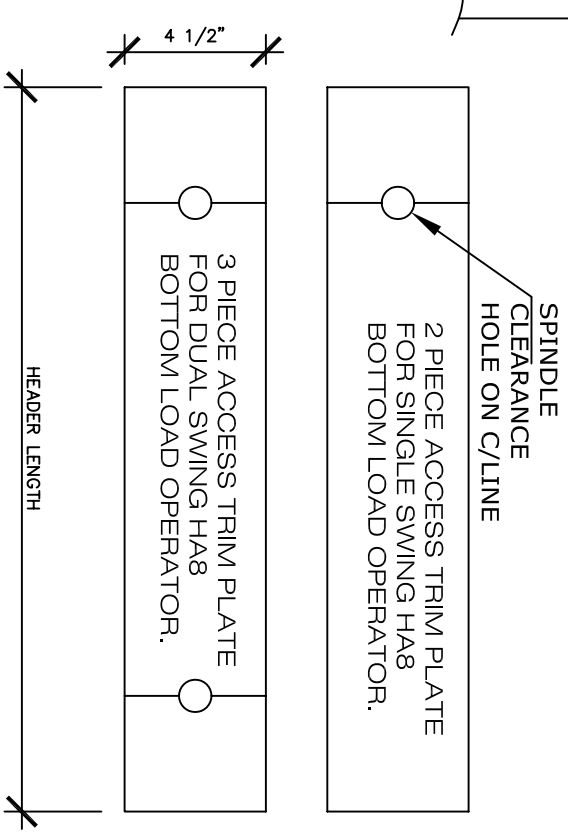
SHEETS 13 - 14



SHEETS 10 - 12



SHEETS 7 - 9



NOTE:
 REFER TO RELATIVE SHEETS (1-14) FOR SPECIFIC HA-8 APPLICATION GUIDELINES.

NOTE:
 HUNTER ACCESS TECHNOLOGIES INC. RESERVES THE RIGHT TO CHANGE & IMPROVE IT'S PRODUCTS & SPECIFICATIONS WITHOUT NOTICE.



125 KENYON DRIVE
 SUITE #3
 LAKEWOOD, NJ 08701
 TEL: 973-942-6099
 FAX: 973-942-6033
 www.hunteraccesstechnologies.com

SHEET TITLE:		SHEET NO.	
ARCHITECT:		15	
CONTRACTOR:		SECTION	
SCALE:	DRAWN BY:	DATE:	HA