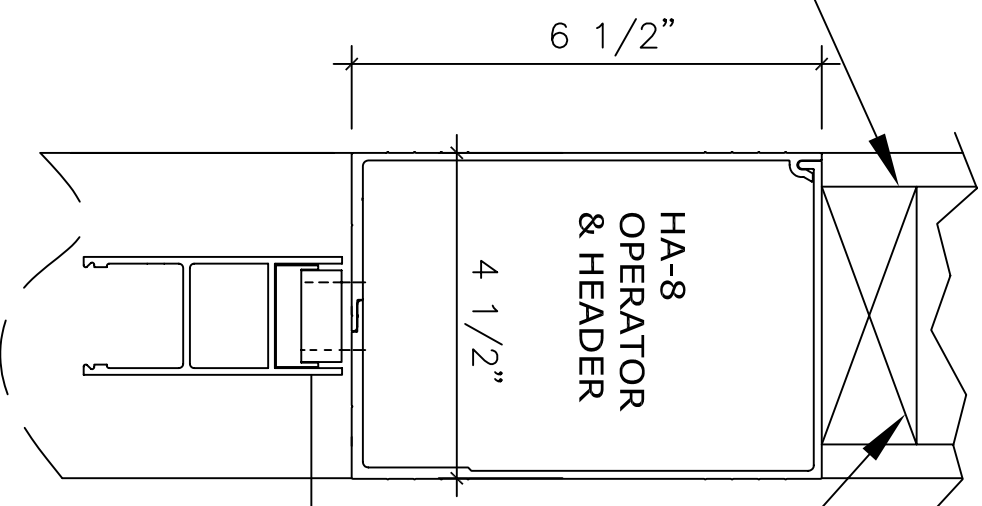
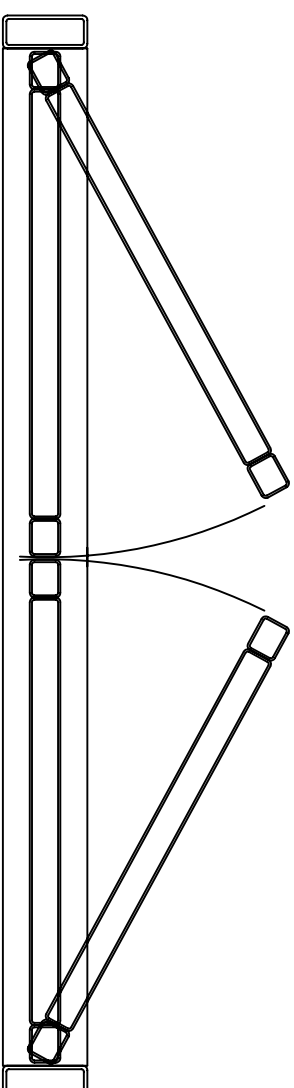


DRYWALL BY OTHERS



REINFORCEMENT BY OTHERS

NOTE:  
HINGE SIDE TOP RAIL NEEDS CUT OUT ON BACK OF DOOR



INTERIOR

**PLAN**

NOTE:  
AUTOMATIC SWING DOOR OPERATOR SHALL BE "HA-8" CETL USA APPROVED, CONFORMING TO UL STD. 325 & ANSI-BHMA STD. A156.19 CERTIFIED TO CAN. CSA STD. C22.2#247 AS MANUFACTURED BY HUNTER ACCESS TECHNOLOGIES INC.  
32" CLEAR OPENING REQUIRED TO MEET ADA REQUIREMENT.  
STANDARD FINISH: CLEAR ANODIZE, DARK BRONZE, SPECIAL FINISHES ARE AVAILABLE

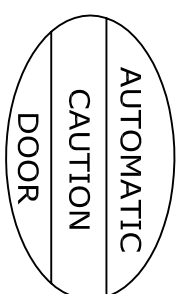
APPLICATION:  
HA-8-CH-5 LOW ENERGY OPERATOR PAIR DOORS CENTER PIVOT.

120V AC. 60HZ. 15A.  
BY ELEC. CONTRACTOR.

CONTROLS

HA-8 HEADER

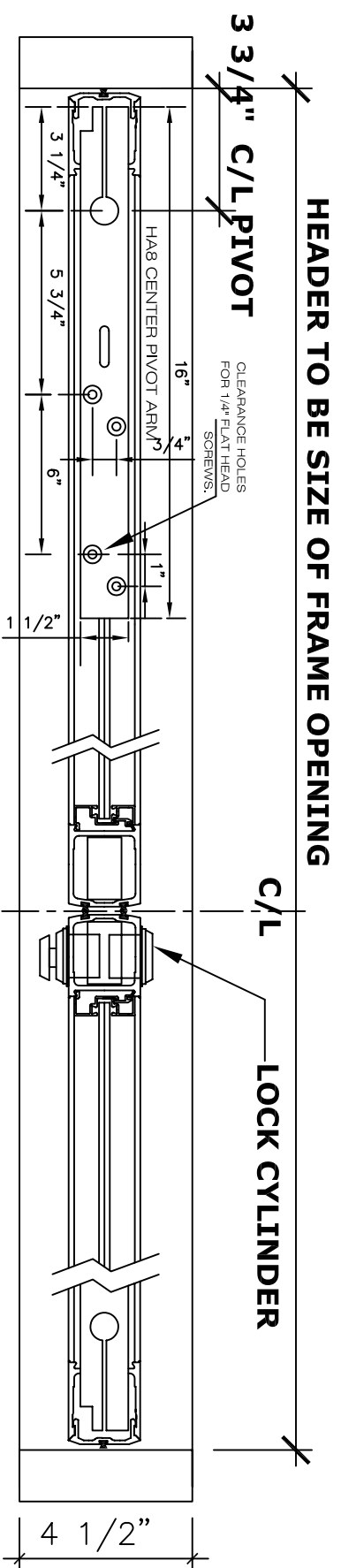
SWING HOLLOW METAL, ALUMINUM OR WOOD DOORS AND FRAMES BY OTHERS



BOTTOM PIVOTS BY OTHERS

FIN. FLOOR

**VERTICAL SECTION**



HEADER TO BE SIZE OF FRAME OPENING

3 3/4" C/L PIVOT

CLEARANCE HOLES FOR 1/4" FLAT HEAD SCREWS

HA8 CENTER PIVOT ARM

1 1/2"

6"

5 3/4"

3 1/4"

16"

4"

1"

1 1/2"

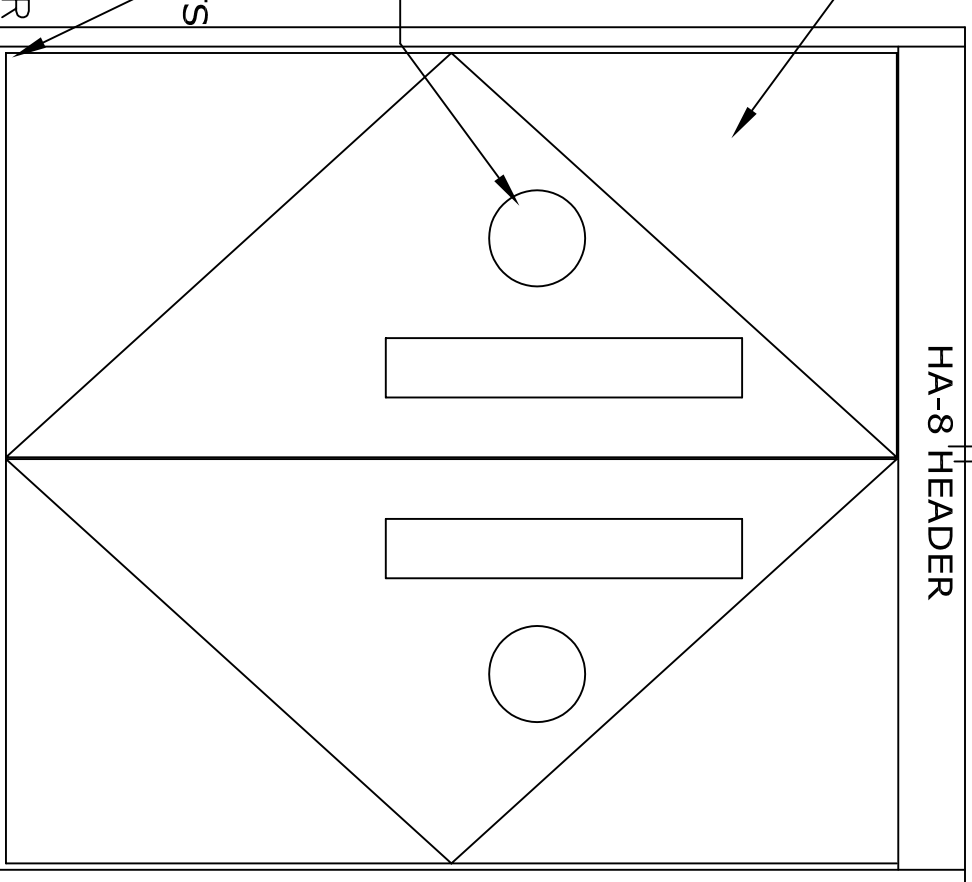
4 1/2"

C/L

LOCK CYLINDER

INTERIOR

**HORIZONTAL SECTION**



**ELEVATION**

NOTE:  
HUNTER ACCESS TECHNOLOGIES INC. RESERVES THE RIGHT TO CHANGE & IMPROVE ITS PRODUCTS & SPECIFICATIONS WITHOUT NOTICE.



125 KENYON DRIVE  
SUITE #3  
LAKEWOOD, NJ 08701  
TEL: 732-942-6099  
FAX: 732-942-6033  
www.hunteraccesstechnologies.com

SHEET TITLE:		SHEET NO.	
ARCHITECT:		<b>9</b>	
CONTRACTOR:		SECTION	
SCALE:	DRAWN BY:	DATE:	<b>HA</b>