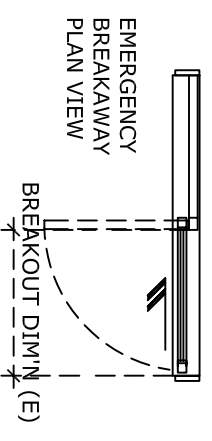
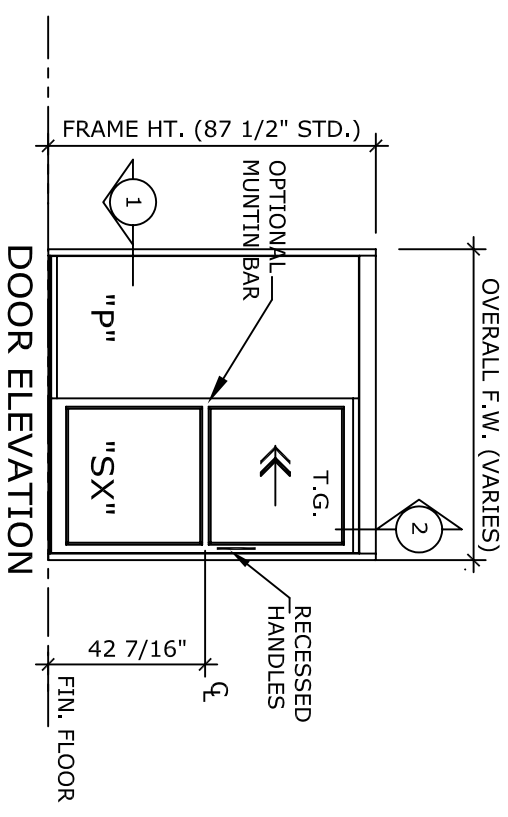


NOTE:
 MANUAL SLIDING DOOR SYSTEM SHALL BE HUNTER "IC-18" AS
 ENGINEERED, MANUFACTURED & ASSEMBLED BY HUNTER ACCESS
 TECHNOLOGIES INC.

STANDARD FINISH: ANODIZED, CLEAR; DARK BRONZE;
 SPECIAL FINISHES ARE AVAILABLE

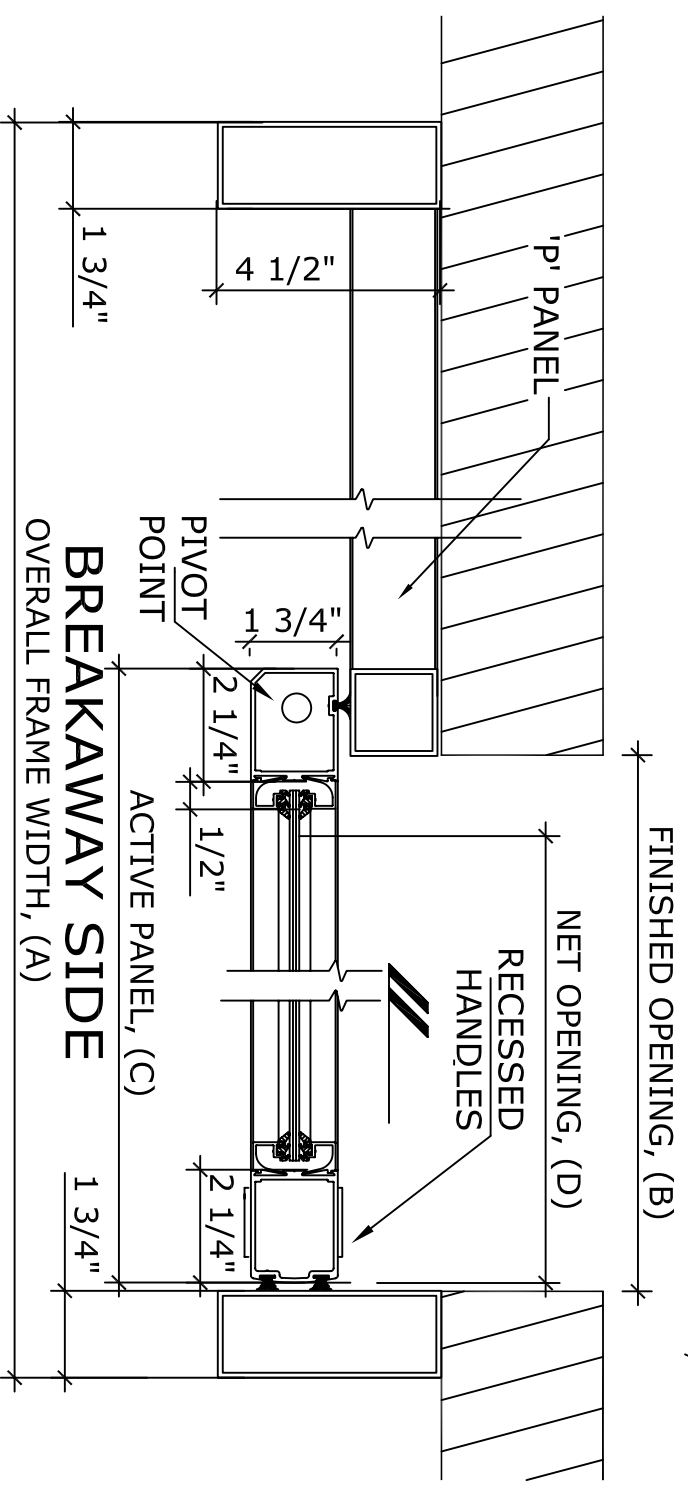
APPLICATION:
 IC-18-1-SFLL. SURFACE MOUNT LEFT HAND,
 INTENSIVE CARE UNIT SLIDER SYSTEM.



UNIT DESCRIPTION

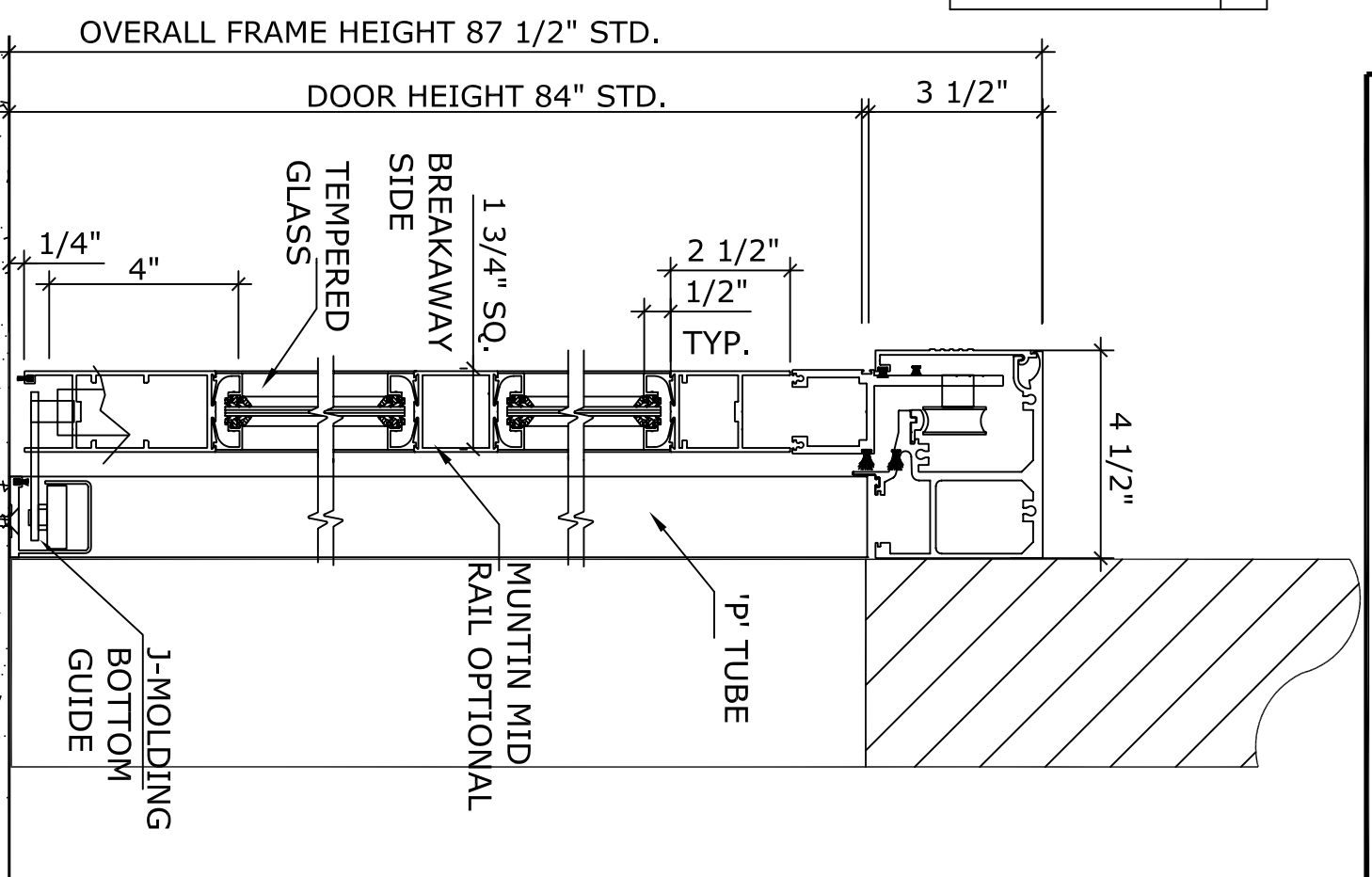
HUNTER IC-18-1-SFLL					
P-SX: SURFACE MOUNT SLIDER WITH 'P' PANEL, L.H. SINGLE SLIDE NARROW STILE MANUAL DOOR SYSTEM. STD. PACKAGE SHALL INCLUDE LOW PROFILE HEADER, FRAME AND DOOR WITH MUNTIN, 4" BOTTOM RAIL WITH CONCEALED SWEEP, BRUSH-PILE WEATHER STRIPPING, EMERGENCY BREAKAWAY, GLAZING STOPS FOR 1/4" T.G. AND RECESSED HANDLES. BOTTOM GUIDE IS CONCEALED IN 'J' MOLDING OF FIXED 'P' PANEL,					
DOOR TYPE:	OVERALL FRAME WIDTH	FINISHED OPENING WIDTH	ACTIVE PANEL WIDTH	NET DOOR OPENING	BREAK OUT DIM'N
IC18-1-SFLL-	A	B	C	D	E
SFLL-7	84"	40 1/4"	42"	36 1/2"	40 1/4"
SFLL-8	96"	46 1/4"	48"	42 1/2"	46 1/4"
SFLL-9	108"	52 1/4"	54"	48 1/2"	52 1/4"
KEY (INCHES)	2(B+1 3/4)	(A/2-1 3/4)	(B+1 3/4)	(B-3 3/4)	(A/2-1 3/4)

REFER TO RELEVANT (LOCAL, STATE, NATIONAL OR AHJ) BUILDING CODE FOR MIN DOOR HEIGHT & MIN/MAX WIDTH ALLOWABLE FOR EGRESS REQUIREMENT.



1 HORIZONTAL SECTION

NOTE:
 HUNTER ACCESS TECHNOLOGIES INC. RESERVES
 THE RIGHT TO CHANGE & IMPROVE ITS
 PRODUCTS & SPECIFICATIONS WITHOUT NOTICE.



2 VERTICAL SECTION

SHEET TITLE:		SHEET NO. 13	
ARCHITECT:		SECTION IC	
CONTRACTOR:		SCALE:	
DRAWN BY:		DATE:	