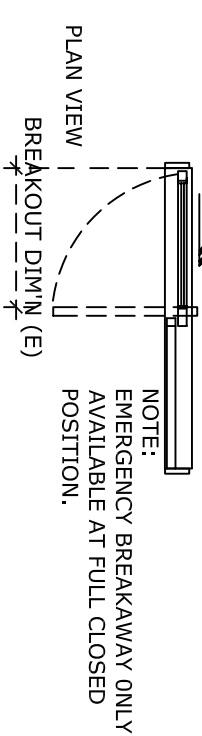
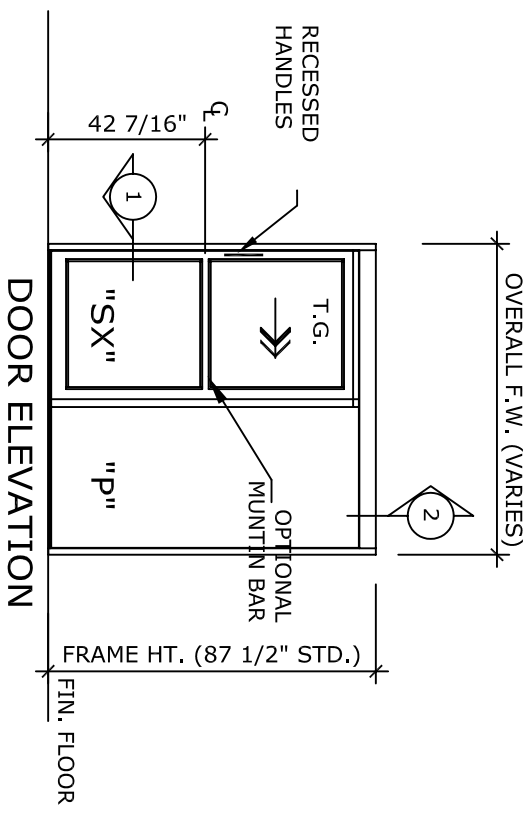


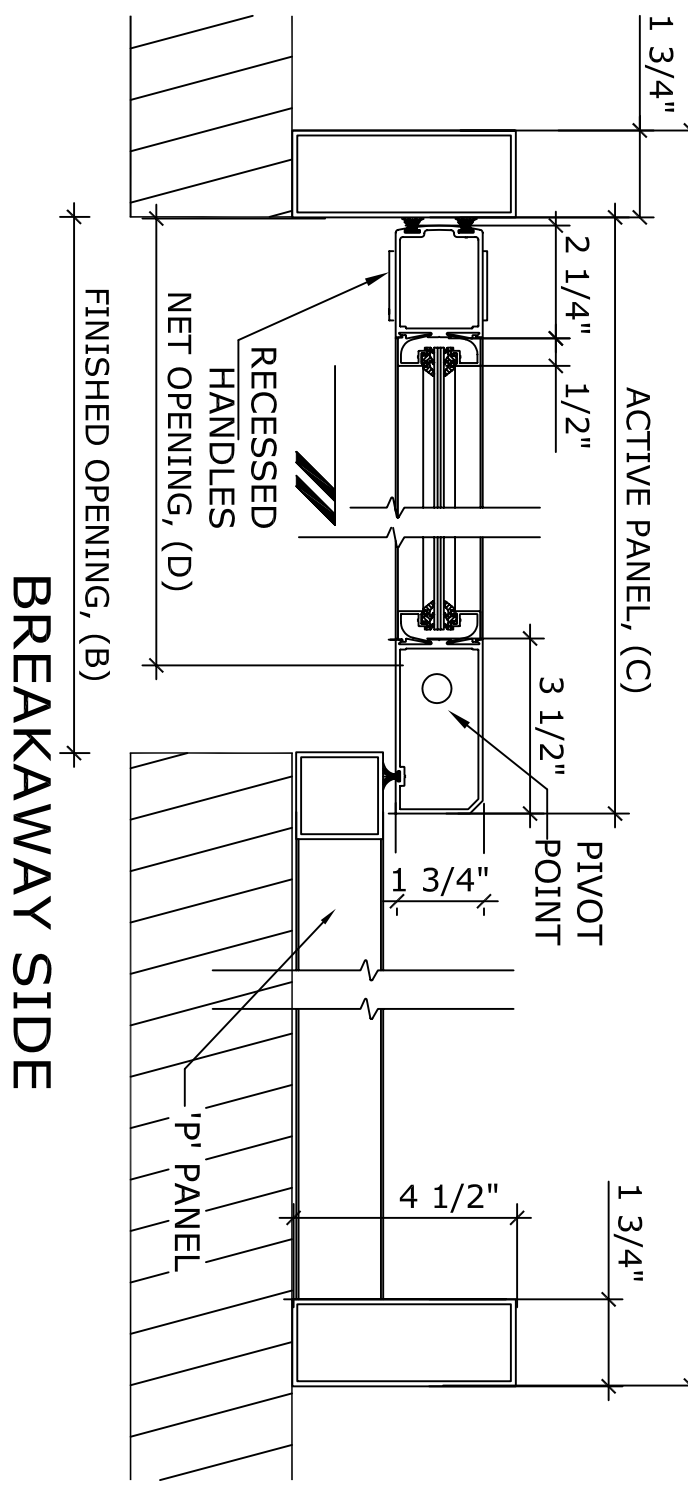
NOTE:
 MANUAL SLIDING DOOR SYSTEM SHALL BE HUNTER "IC-18" AS
 ENGINEERED, MANUFACTURED & ASSEMBLED BY HUNTER ACCESS
 TECHNOLOGIES INC.

STANDARD FINISH: ANODIZED, CLEAR; DARK BRONZE;
 SPECIAL FINISHES ARE AVAILABLE

APPLICATION:
 IC-18-1-RVR. SURFACE MOUNT REVERSE BREAKOUT
 RIGHT HAND, INTENSIVE CARE UNIT SLIDER SYSTEM.



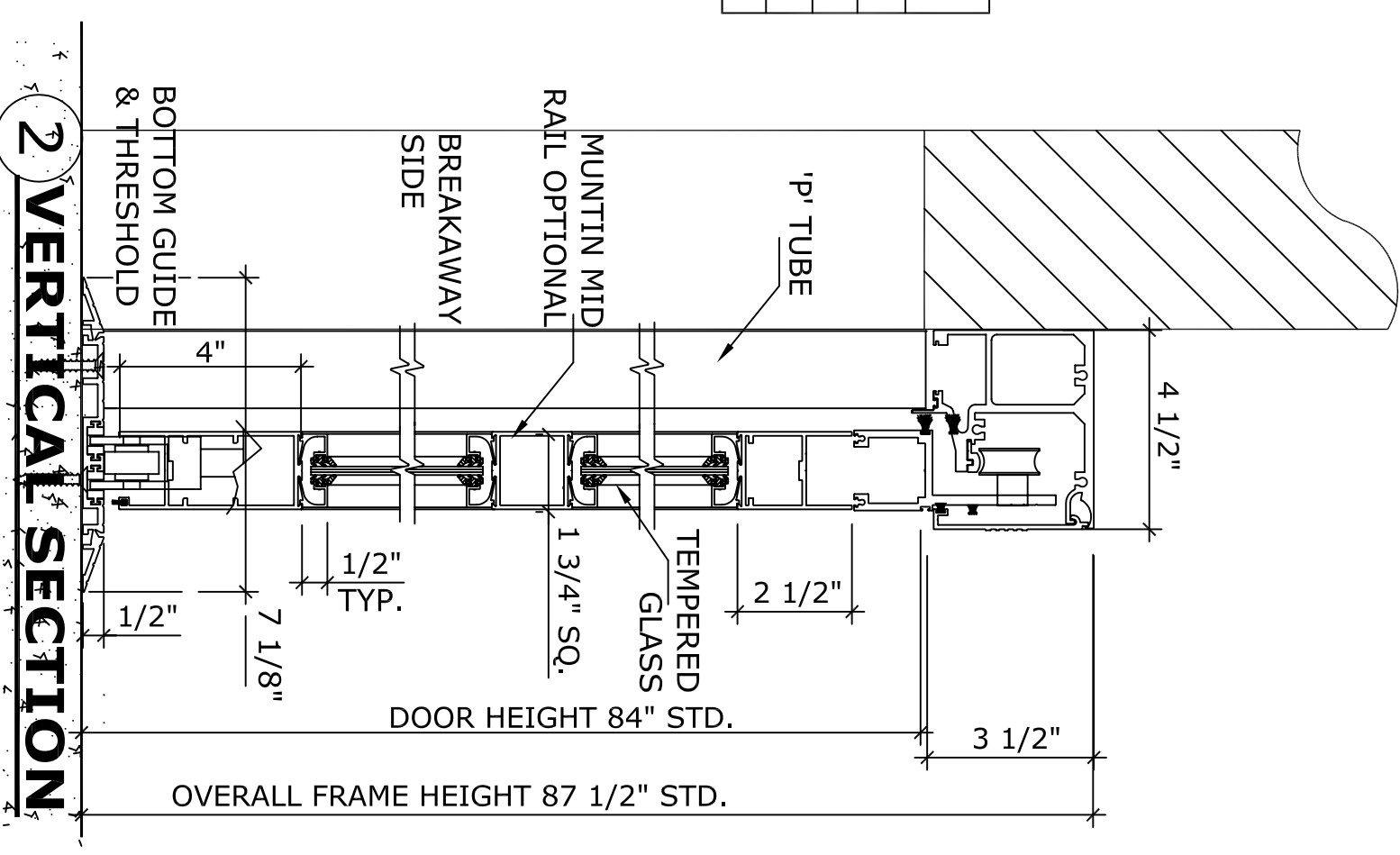
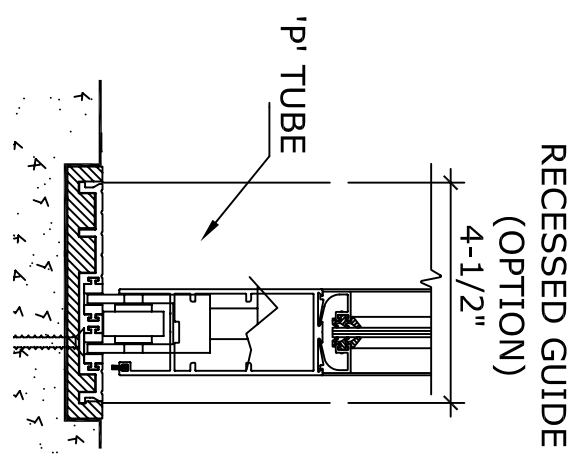
OVERALL FRAME WIDTH, (A)



1 HORIZONTAL SECTION

UNIT DESCRIPTION					
HUNTER IC-18-1-RVR					
SX-P : SURFACE MOUNT REVERSE BREAKOUT SLIDER, RIGHT HAND SLIDE WITH 'P' PANEL, MANUAL DOOR SYSTEM. STD. PACKAGE SHALL INCLUDE LOW PROFILE HEADER, FRAME AND DOOR WITH MUNTIN, 4" BOTTOM RAIL WITH CONCEALED SWEEP, BRUSH-PILE WEATHER STRIPPING, EMERGENCY BREAKAWAY, GLAZING STOPS FOR 1/4" T.G. AND RECESSED HANDLES. BOTTOM GUIDE SYSTEM SHALL BE PART OF FULL THRESHOLD.					
DOOR TYPE:	OVERALL FRAME WIDTH	FINISHED OPENING WIDTH	ACTIVE PANEL WIDTH	NET DOOR OPENING	BREAK OUT DIM'N
IC18-1-RVR-					
RVR-7	84"	41"	42 1/4"	37 1/4"	38 3/4"
RVR-8	96"	47"	48 1/4"	43 1/4"	44 3/4"
RVR-9	108"	53"	54 1/4"	49 1/4"	50 3/4"
KEY (INCHES)	2(B+1)	(A-2-1)	(B+1 1/4)	(B-3 3/4)	(B-2 1/4)

REFER TO RELEVANT (LOCAL, STATE, NATIONAL OR AHJ) BUILDING CODE FOR MIN DOOR
 HEIGHT & MIN/MAX WIDTH ALLOWABLE FOR EGRESS REQUIREMENT.



2 VERTICAL SECTION

NOTE:
 HUNTER ACCESS TECHNOLOGIES INC. RESERVES
 THE RIGHT TO CHANGE & IMPROVE IT'S
 PRODUCTS & SPECIFICATIONS WITHOUT NOTICE.

125 KENYON DRIVE
 SUITE #3
 LAKEWOOD, NJ 08701
 TEL. 732-942-6099
 FAX. 732-942-6033
 www.hunteraccesstechnologies.com

SHEET TITLE:		SHEET NO. 17	
ARCHITECT:			
CONTRACTOR:			
SCALE:	DRAWN BY:	DATE:	
SECTION		IC	