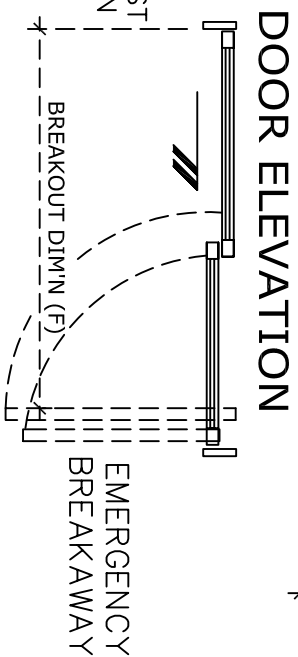


NOTE:
"SX" PANEL MUST BE IN FULL OPEN POSITION FOR BREAKAWAY.



DOOR ELEVATION

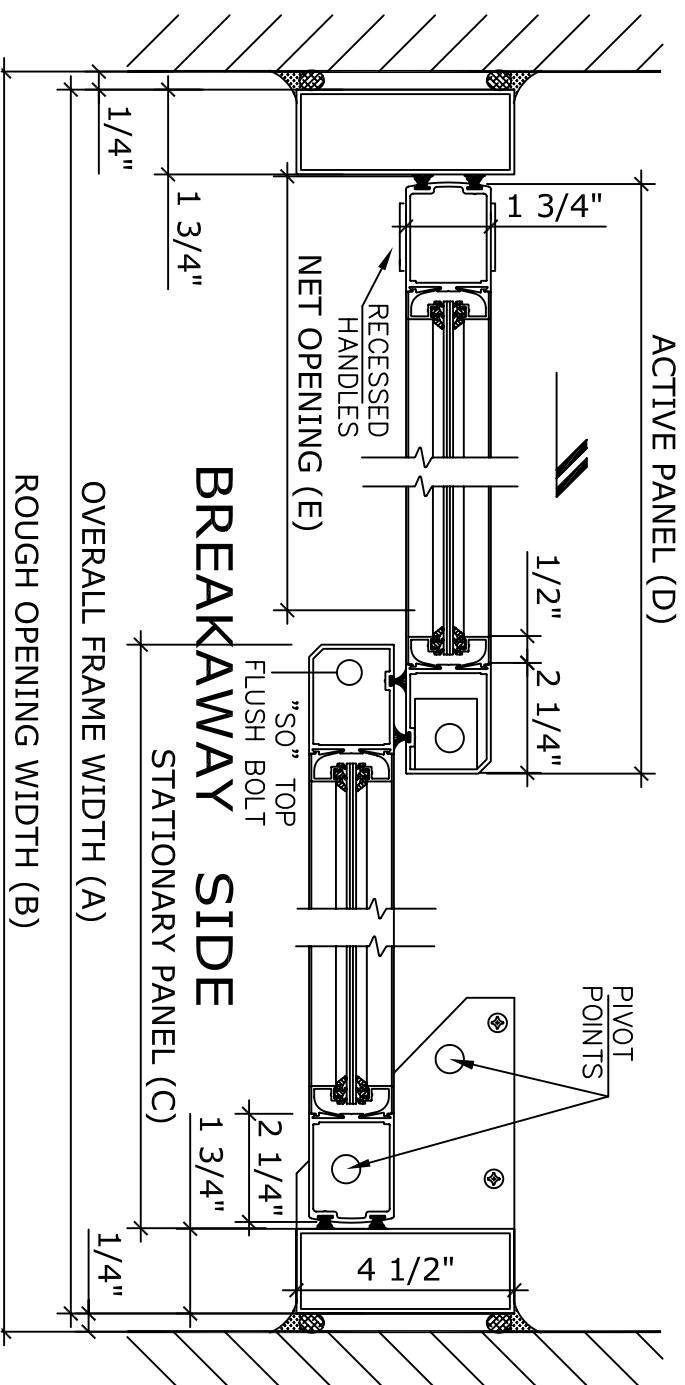
NOTE:
MANUAL SLIDING DOOR SYSTEM SHALL BE HUNTER "IC-18" AS ENGINEERED, MANUFACTURED & ASSEMBLED BY HUNTER ACCESS TECHNOLOGIES INC.
STANDARD FINISH: ANODIZED, CLEAR; DARK BRONZE; SPECIAL FINISHES ARE AVAILABLE

UNIT DESCRIPTION

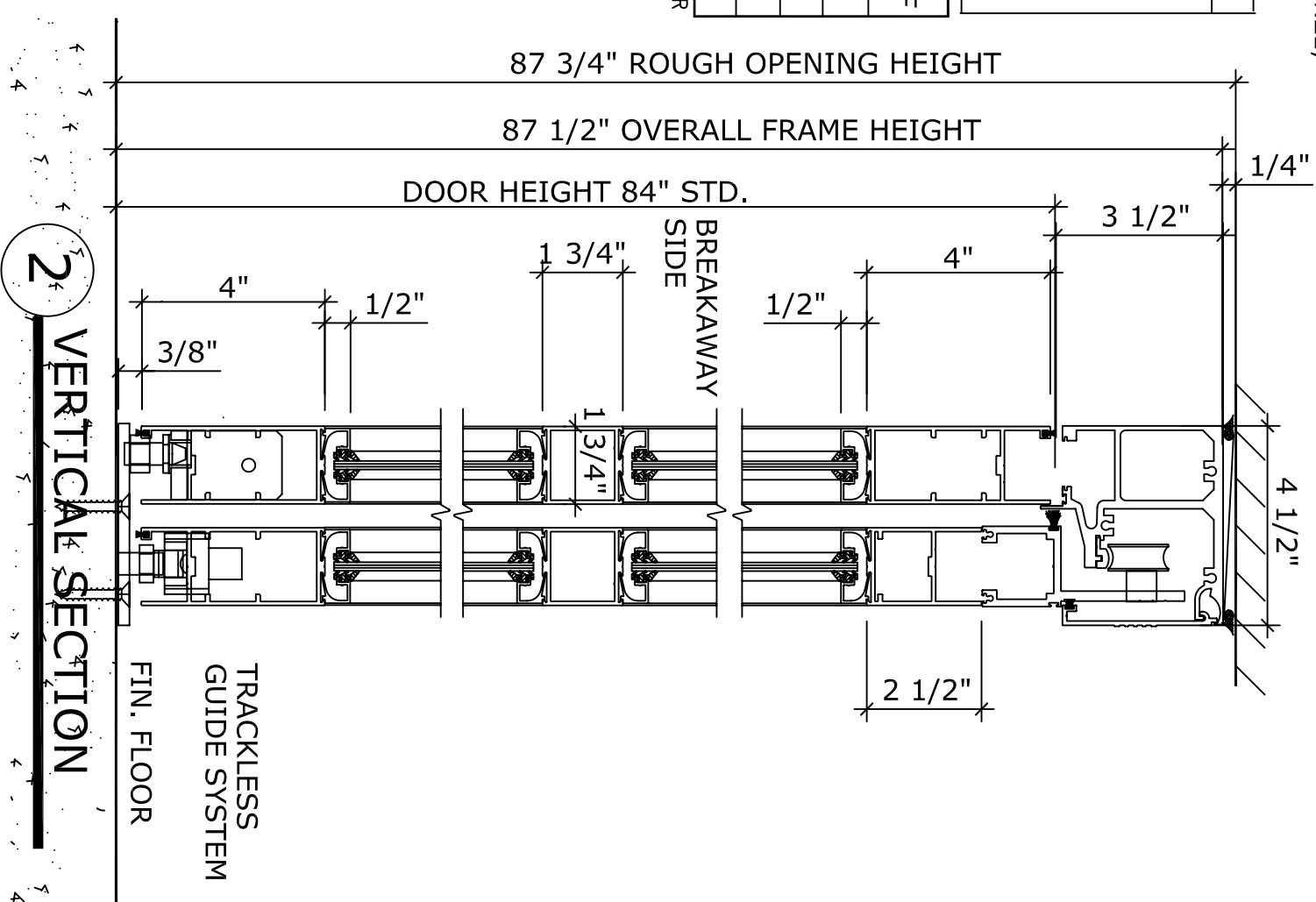
HUNTER IC-18-1-TKR
SX-SO: TRACKLESS - OVERHEAD CONCEALED F.B.O. R.H. SINGLE SLIDE NARROW STILE MANUAL DOOR SYSTEM. STD. PACKAGE SHALL INCLUDE LOW PROFILE HEADER, FRAME AND DOORS WITH MUNTIN, 4" BOTTOM RAILS WITH CONCEALED SWEEP, BRUSH-PILE WEATHER STRIPPING, EMERGENCY BREAKAWAY, GLAZING STOPS FOR 1/4" T.G. AND RECESSED HANDLES. BOTTOM GUIDE SYSTEM SHALL BE TRACKLESS.

DOOR TYPE:	OVERALL FRAME WIDTH (A)	ROUGH OPENING WIDTH (B)	SIDELITE PANEL WIDTH (C)	ACTIVE PANEL WIDTH (D)	NET DOOR OPENING (E)	BREAK OUT DIM'N (F)
IC18-1-TKR-						
TKR-7	84"	84 1/2"	38 5/8"	44 5/8"	33 1/4"	76"
TKR-8	96"	96 1/2"	44 5/8"	50 5/8"	39 1/4"	88"
TKR-9	108"	108-1/2"	50 5/8"	56 5/8"	45 1/4"	100"
KEY (INCHES)	(B-1/2)	(A+1/2)	(A/2-3 3/8)	(A/2+2 5/8)	(A/2-8 3/4)	(A-8)

REFER TO RELEVANT (LOCAL, STATE, NATIONAL OR AHJ) BUILDING CODE FOR MIN DOOR HEIGHT & MIN/MAX WIDTH ALLOWABLE FOR EGRESS REQUIREMENT.



1 HORIZONTAL SECTION



2 VERTICAL SECTION

APPLICATION:
IC-18-1-TKR. TRACKLESS RIGHT HAND, FBO INTENSIVE CARE UNIT SLIDER SYSTEM.

NOTE:
HUNTER ACCESS TECHNOLOGIES INC. RESERVES THE RIGHT TO CHANGE & IMPROVE ITS PRODUCTS & SPECIFICATIONS WITHOUT NOTICE.



125 KENYON DRIVE
SUITE #3
LAKEWOOD, NJ 08701
TEL.: 732-942-6099
FAX: 732-942-6033
www.hunteraccesstechnologies.com

SHEET TITLE:		SHEET NO.	2
ARCHITECT:		SECTION	IC
CONTRACTOR:			
DETAIL SCALE		DRAWN BY	
		DATE	