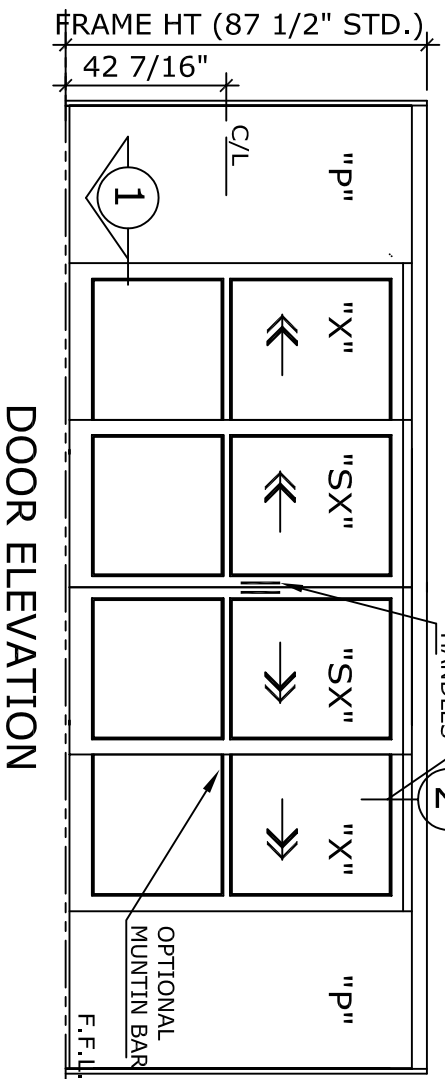


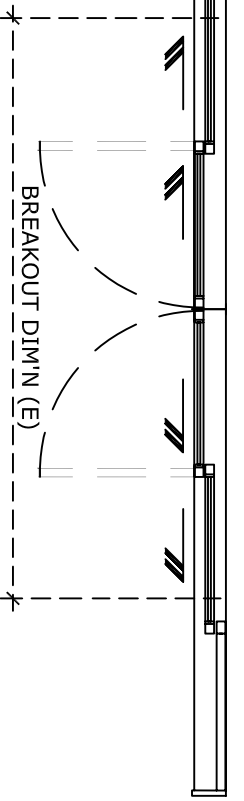
OVERALL FRAME WIDTH (VARIES)



RECESSED HANDLES

DOOR ELEVATION

EMERGENCY BREAKAWAY PLAN VIEW



FINISHED OPENING (B)
REFER TO RELEVANT (LOCAL, STATE, NATIONAL OR AHD) BUILDING CODE FOR MIN DOOR HEIGHT & MIN/MAX WIDTH ALLOWABLE FOR EGRESS REQUIREMENT.

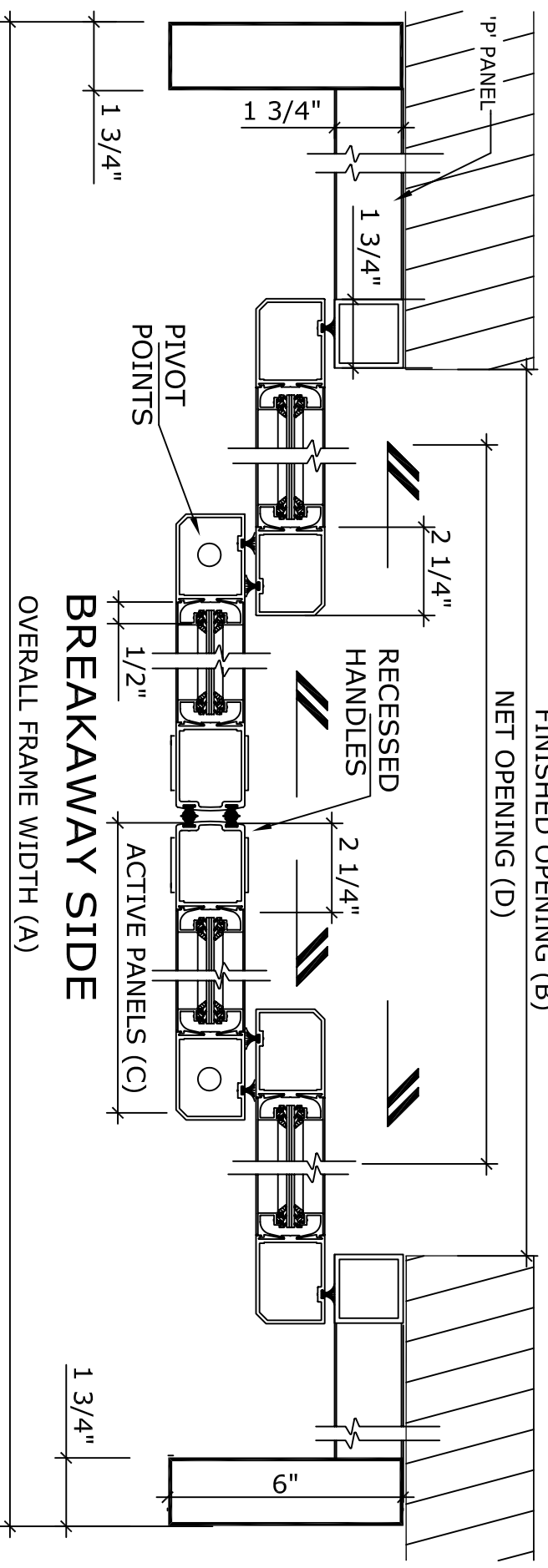
DOOR TYPE:	OVERALL FRAME A WIDTH	FINISHED OPENING B WIDTH	EQUAL PANELS C WIDTH	NET DOOR D OPENING	MAX B/OUT E DIMN
IC18-6-TSFL	152"	96"	26 1/4"	84 1/2"	92"
TSFL-8	170"	108"	29 1/4"	96 1/2"	104"
TSFL-9	188"	120"	32 1/4"	108 1/2"	116"
TSFL-10	206"	132"	35 1/4"	120 1/2"	128"
TSFL-11	224"	144"	38 1/4"	132 1/2"	140"
TSFL-12	(3B/2+8)	(A-8)2/3	(B/4+2 1/4)	(B-11 1/2)	(B-4)

NOTE:
MANUAL SLIDING DOOR SYSTEM SHALL BE HUNTER "IC-18" AS ENGINEERED, MANUFACTURED & ASSEMBLED BY HUNTER ACCESS TECHNOLOGIES INC.

STANDARD FINISH: ANODIZED, CLEAR; DARK BRONZE;
SPECIAL FINISHES ARE AVAILABLE

UNIT DESCRIPTION
HUNTER IC-18-6-TSFL
P-X-SX-SX-X-P : TELESCOPIC SURFACE MOUNT SLIDER WITH 'P' PANEL BI-PART NARROW STILE F.S.L. MANUAL DOOR SYSTEM. STD. PACKAGE SHALL INCLUDE LOW PROFILE HEADER, FRAME AND DOORS WITH MUNTIN, 4" BOTTOM RAILS WITH CONCEALED SWEEP, BRUSH-PILE WEATHER STRIPPING, EMERGENCY BREAKAWAY, GLAZING STOPS FOR 1/4" T.G. AND RECESSED HANDLES. DOOR GUIDE SYSTEM SHALL BE CONCEALED IN BOTTOM HORIZONTAL RAIL AND 'J' MOLDING OF 'P' PANEL.

APPLICATION:
IC-18-6-TSFL. TELESCOPIC SURFACE MOUNT, BI-PART, INTENSIVE CARE UNIT SLIDER SYSTEM.



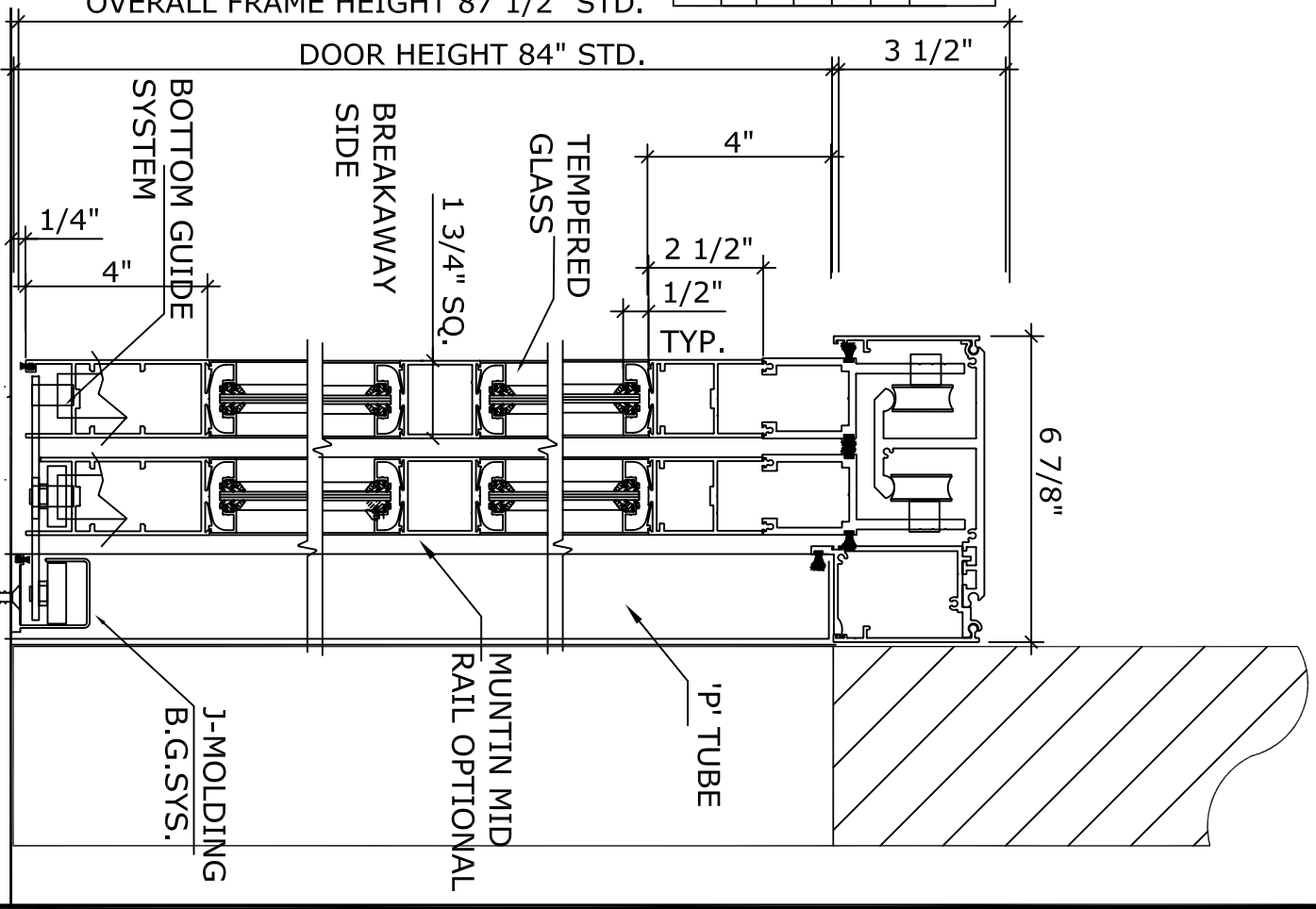
1 HORIZONTAL SECTION

BREAKAWAY SIDE
OVERALL FRAME WIDTH (A)

OVERALL FRAME HEIGHT 87 1/2" STD.

DOOR HEIGHT 84" STD.

2 VERTICAL SECTION



NOTE:
HUNTER ACCESS TECHNOLOGIES INC. RESERVES THE RIGHT TO CHANGE & IMPROVE IT'S PRODUCTS & SPECIFICATIONS WITHOUT NOTICE.



125 KENYON DRIVE
SUITE #3
LAKEWOOD, NJ 08701
TEL. 732-942-6099
FAX. 732-942-6033
www.hunteraccesstechnologies.com

SHEET TITLE:	SHEET NO. 27
ARCHITECT:	
CUSTOMER:	
DETAIL SCALE	
DRAWN BY	
DATE	
SECTION IC	