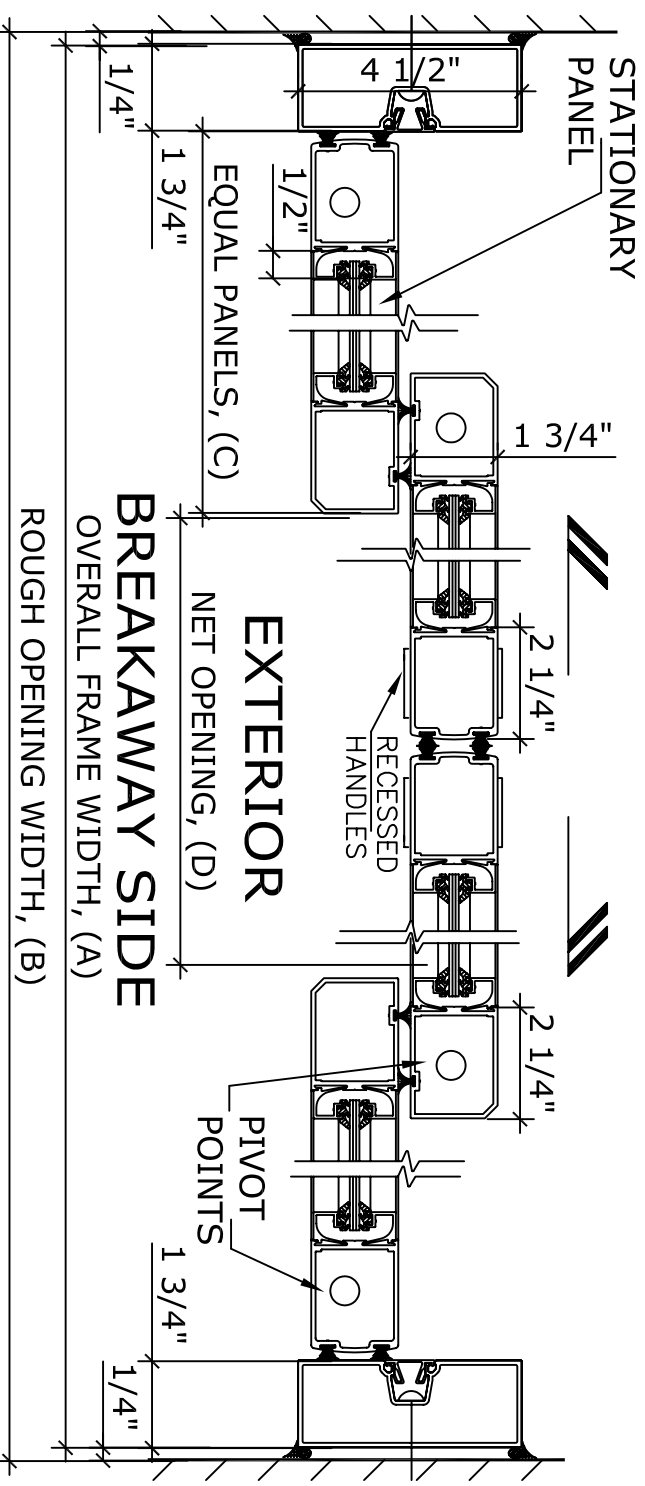
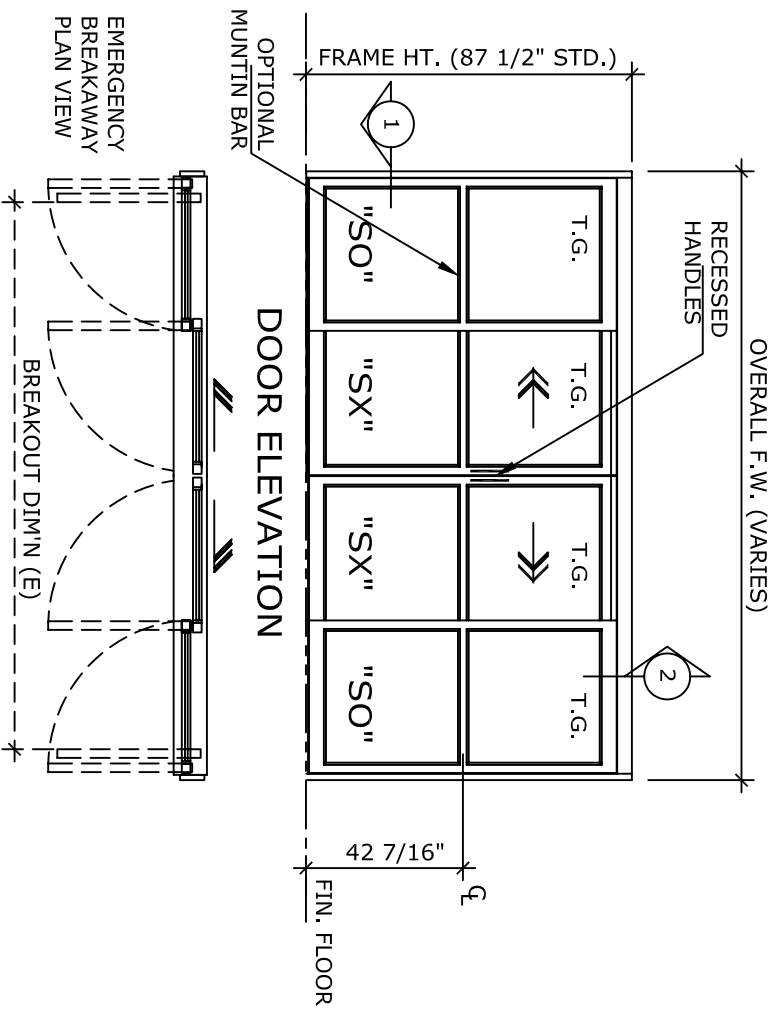


NOTE:  
 MANUAL SLIDING DOOR SYSTEM SHALL BE HUNTER "IC-18" AS  
 ENGINEERED, MANUFACTURED & ASSEMBLED BY HUNTER ACCESS  
 TECHNOLOGIES INC.

STANDARD FINISH: ANODIZED, CLEAR; DARK BRONZE;  
 SPECIAL FINISHES ARE AVAILABLE

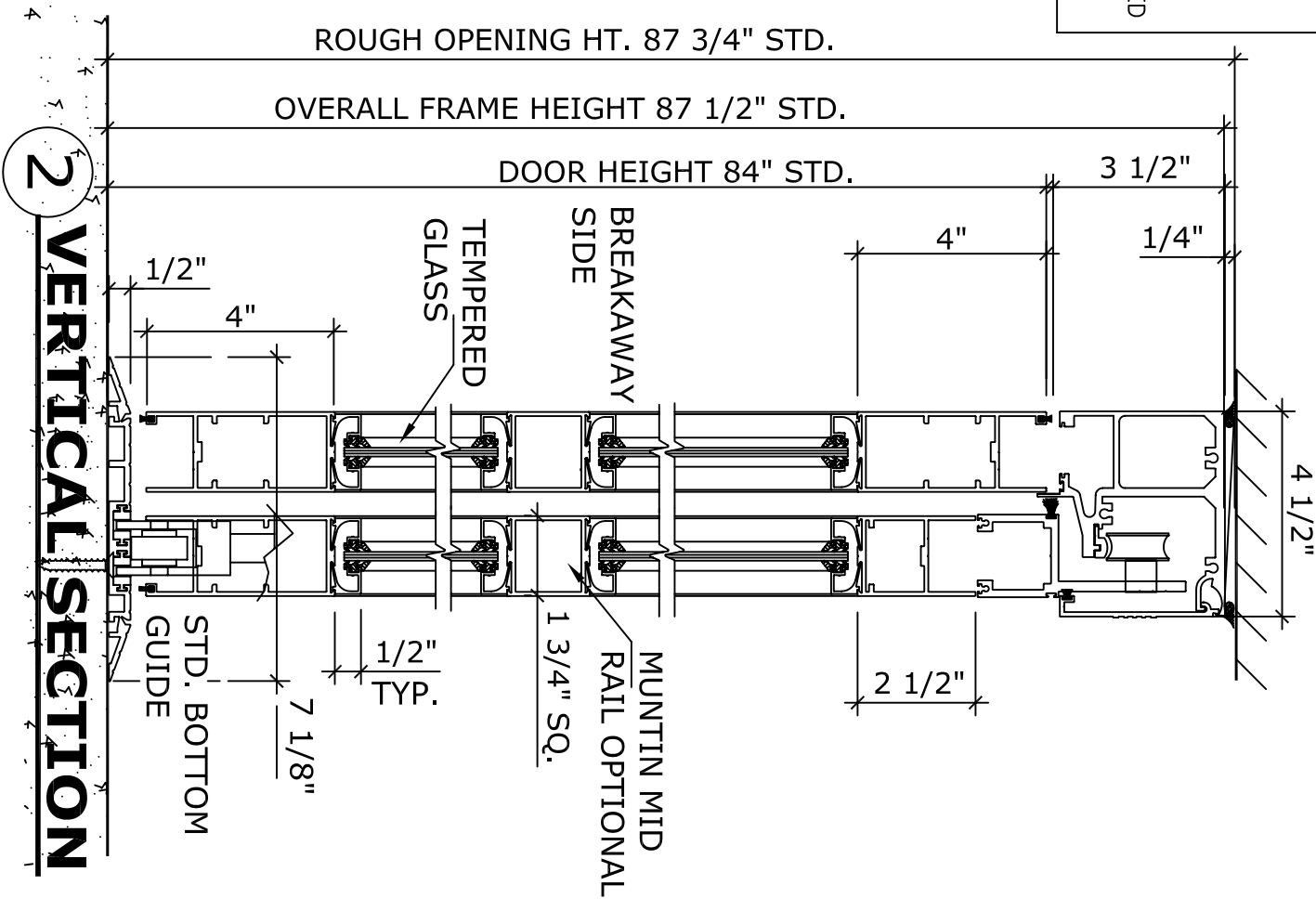
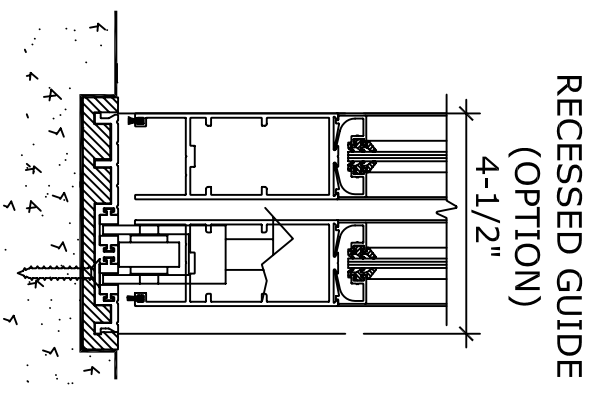
APPLICATION:  
 IC-18-2-FB. FULL BREAKOUT BI-PART,  
 INTENSIVE CARE UNIT SLIDER SYSTEM.



# 1 HORIZONTAL SECTION

UNIT DESCRIPTION					
HUNTER IC-18-2-FB					
SO-SX-SX-SO: OVERHEAD CONCEALED FULL BREAKOUT BI-PART NARROW STILE MANUAL DOOR SYSTEM.					
STD. PACKAGE SHALL INCLUDE LOW PROFILE HEADER, FRAME AND DOORS WITH MUNTIN, 4" BOTTOM RAILS WITH CONCEALED SWEEP, BRUSH-PILE WEATHER STRIPPING, EMERGENCY BREAKAWAY, RECESSED HANDLES, GLAZING STOPS FOR 1/4" T.G. BOTTOM GUIDE TRACK SHALL BE UNDER SIDELITE OR PART OF FULL WIDTH THRESHOLD.					
DOOR TYPE:	OVERALL FRAME WIDTH	ROUGH OPENING WIDTH	EQUAL PANELS WIDTH	NET DOOR OPENING	BREAK OUT DIM'N
IC18-2-FB-	A	B	C	D	E
FB-8	96"	96 1/2"	24 7/16"	36"	81"
FB-10	120"	120-1/2"	30 7/16"	48"	105"
FB-12	144"	144-1/2"	36 7/16"	60"	129"
FB-14	168"	168-1/2"	42 7/16"	72"	153"
KEY (INCHES)	(B-1/2)	(A+1/2)	(A/4+7/16)	(A/2-12)	(A-15)

REFER TO RELEVANT (LOCAL, STATE, NATIONAL OR AIA) BUILDING CODE FOR MIN DOOR HEIGHT & MIN/MAX WIDTH ALLOWABLE FOR EGRESS REQUIREMENT.



# 2 VERTICAL SECTION

NOTE:  
 HUNTER ACCESS TECHNOLOGIES INC. RESERVES  
 THE RIGHT TO CHANGE & IMPROVE IT'S  
 PRODUCTS & SPECIFICATIONS WITHOUT NOTICE.

**Hunter**  
 ACCESS TECHNOLOGIES INC.  
 125 KENYON DRIVE  
 SUITE #3  
 LAKEWOOD, NJ 08701  
 TEL. 732-942-6099  
 FAX. 732-942-6033  
 www.hunteraccesstechnologies.com

SHEET TITLE:	SHEET NO. <b>9</b>
ARCHITECT:	
CONTRACTOR:	
SCALE:	
DRAWN BY:	
DATE:	
SECTION	<b>IC</b>