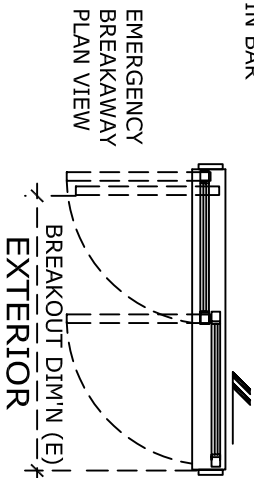
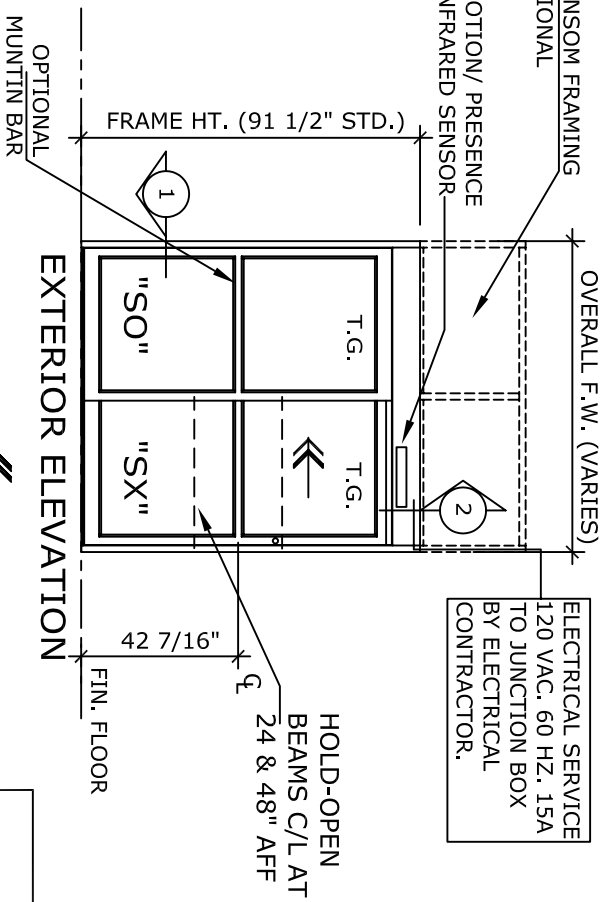


TRANSOM FRAMING
OPTIONAL
MOTION/PRESENCE
INFRARED SENSOR
OVERALL F.W. (VARIES)
ELECTRICAL SERVICE
120 VAC. 60 HZ. 15A
TO JUNCTION BOX
BY ELECTRICAL
CONTRACTOR.



NOTE:
AUTOMATIC SLIDING DOOR OPERATOR SHALL BE "DS-18" CUL USA APPROVED, CONFORMING TO UL STD. 325 & ANSI-BHMA STD. A156.10 CERTIFIED TO CAN. CSA STD. C22.2.#24-93 AS MANUFACTURED BY HUNTER ACCESS TECHNOLOGIES INC.

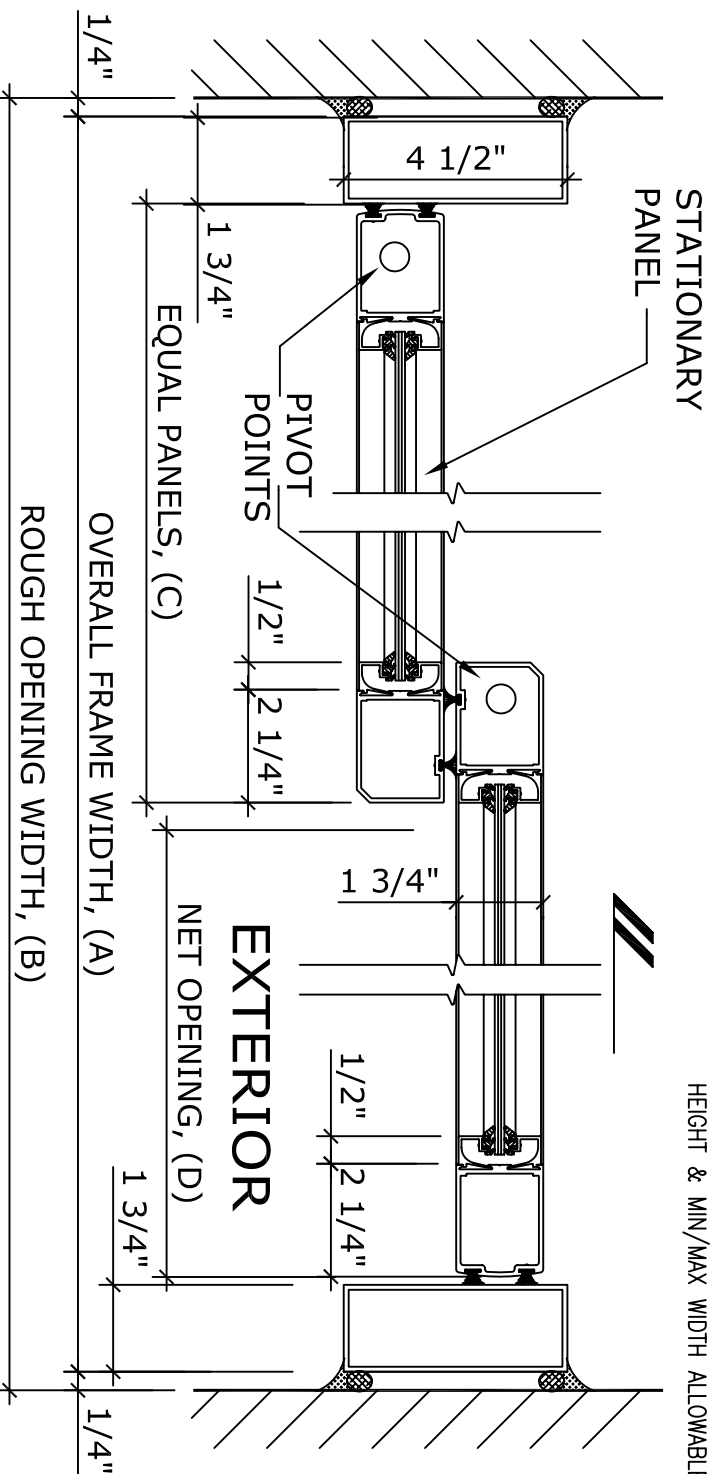
STANDARD FINISH: ANODIZED, CLEAR; DARK BRONZE;
SPECIAL FINISHES ARE AVAILABLE

UNIT DESCRIPTION

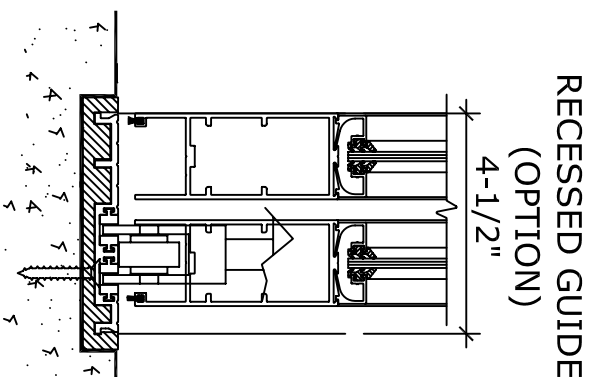
HUNTER DS-18-1-FBL
SO-SX : OVERHEAD CONCEALED FULL BREAKOUT SINGLE SLIDE DOOR SYSTEM, NARROW STILE DOORS. STD. PACKAGE SHALL INCLUDE AUTOMATIC OPERATOR, FRAME AND DOORS WITH MUNTIN, 4" BOTTOM RAILS WITH CONCEALED SWEEP, BRUSH-PILE WEATHER STRIPPING, EMERGENCY BREAKAWAY, MS LOCK, GLAZING STOPS FOR 1/4" TEMPERED GLASS. BOTTOM GUIDE SYSTEM SHALL BE PART OF FULL WIDTH THRESHOLD, DUAL DOORWAY SAFETY BEAMS, 3-POSITION SWITCH & MOTION/PRESENCE SENSORS.

| DOOR TYPE: DS18-1-FBL- | OVERALL FRAME A WIDTH | ROUGH OPENING B WIDTH | EQUAL PANELS C WIDTH | NET DOOR D OPENING | BREAK OUT DIM'N. E |
|---------------------------|-----------------------------|-----------------------------|----------------------------|--------------------------|--------------------------|
| FBL-7 | 84" | 84 1/2" | 41 9/16" | 35 1/4" | 75" |
| FBL-8 | 96" | 96 1/2" | 47 9/16" | 41 1/4" | 87" |
| FBL-9 | 108" | 108-1/2" | 53 9/16" | 47 1/4" | 99" |
| KEY (INCHES) | (B-1/2) | (A+1/2) | (A/2-7/16) | (A/2-6 3/4) | (A-9) |

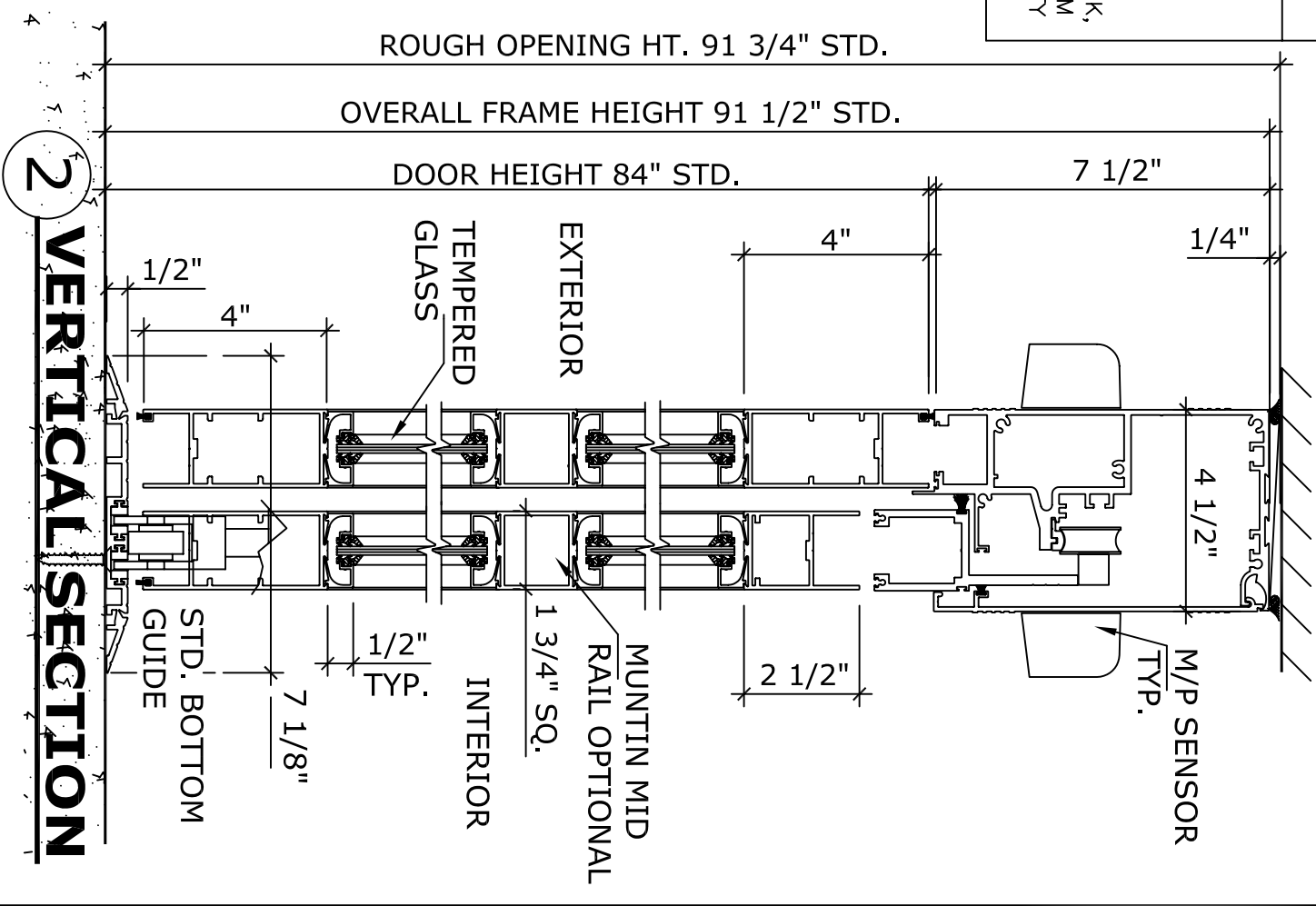
REFER TO RELEVANT (LOCAL, STATE, NATIONAL OR AHJ) BUILDING CODE FOR MIN DOOR HEIGHT & MIN/MAX WIDTH ALLOWABLE FOR EGRESS REQUIREMENT.



1 HORIZONTAL SECTION



APPLICATION:
DS-18-1-FBL. FULL BREAKOUT LEFT HAND, AUTOMATIC SLIDING DOOR SYSTEM.



2 VERTICAL SECTION

NOTE:
HUNTER ACCESS TECHNOLOGIES INC. RESERVES THE RIGHT TO CHANGE & IMPROVE ITS PRODUCTS & SPECIFICATIONS WITHOUT NOTICE.

Hunter
ACCESS TECHNOLOGIES INC.
125 KENYON DRIVE
SUITE #3
LAKEWOOD, NJ 08701
TEL. 732-942-6099
FAX. 732-942-6033
www.hunteraccesstechnologies.com

| | |
|--------------|--------------------|
| SHEET TITLE: | SHEET NO. 1 |
| ARCHITECT: | |
| CONTRACTOR: | |
| SCALE: | |
| DRAWN BY: | |
| DATE: | |
| SECTION | DS |