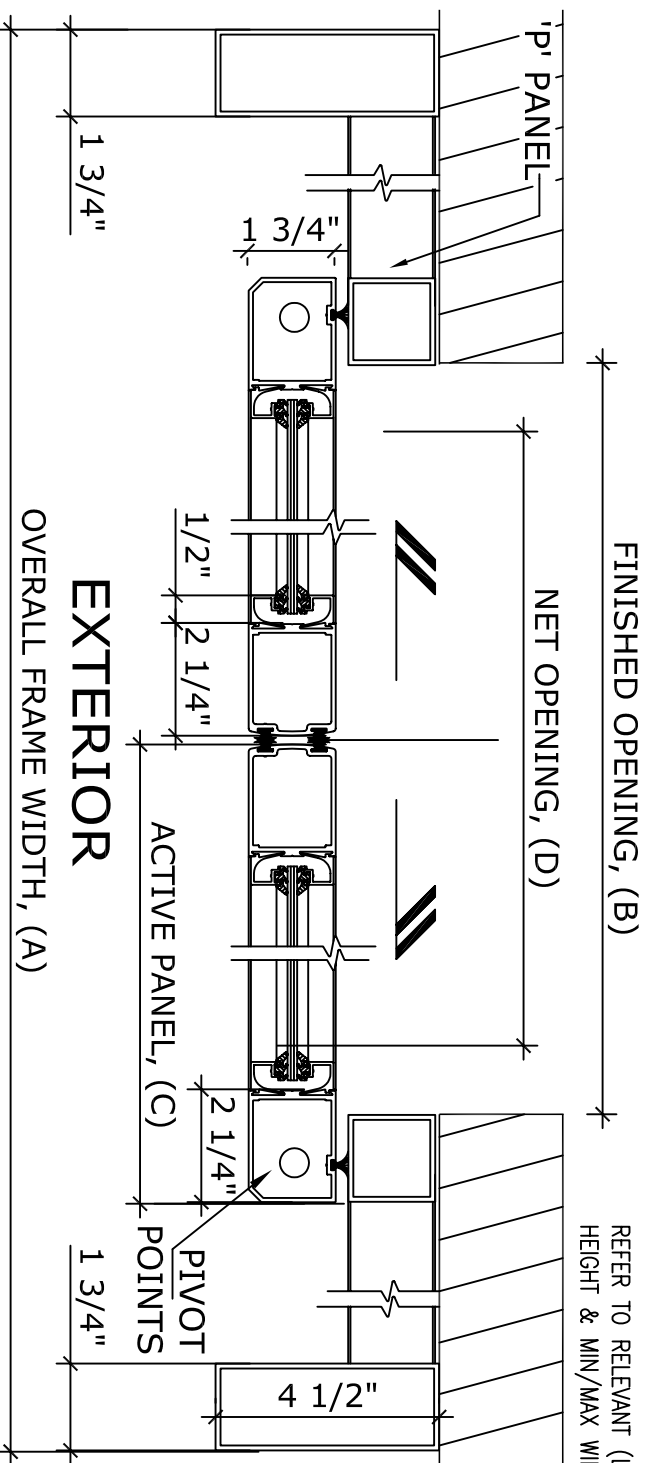
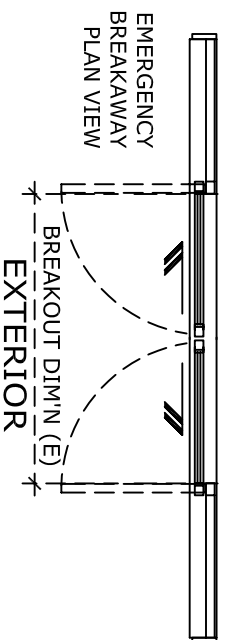
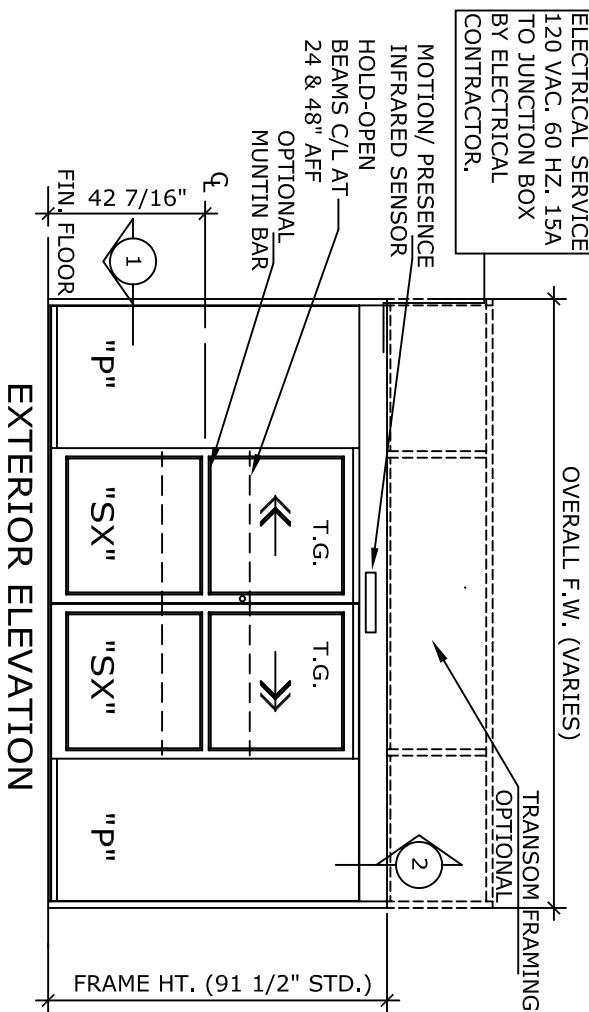


ELECTRICAL SERVICE
120 VAC. 60 HZ. 15A
TO JUNCTION BOX
BY ELECTRICAL
CONTRACTOR.



1 HORIZONTAL SECTION

NOTE:
AUTOMATIC SLIDING DOOR OPERATOR SHALL BE "DS-18" CUL USA APPROVED, CONFORMING TO UL STD. 325 & ANSI-BHMA STD. A156.10 CERTIFIED TO CAN. CSA STD. C22.2#24-93 AS MANUFACTURED BY HUNTER ACCESS TECHNOLOGIES INC.

STANDARD FINISH: ANODIZED, CLEAR; DARK BRONZE;
SPECIAL FINISHES ARE AVAILABLE

UNIT DESCRIPTION

HUNTER DS-18-2-SFL

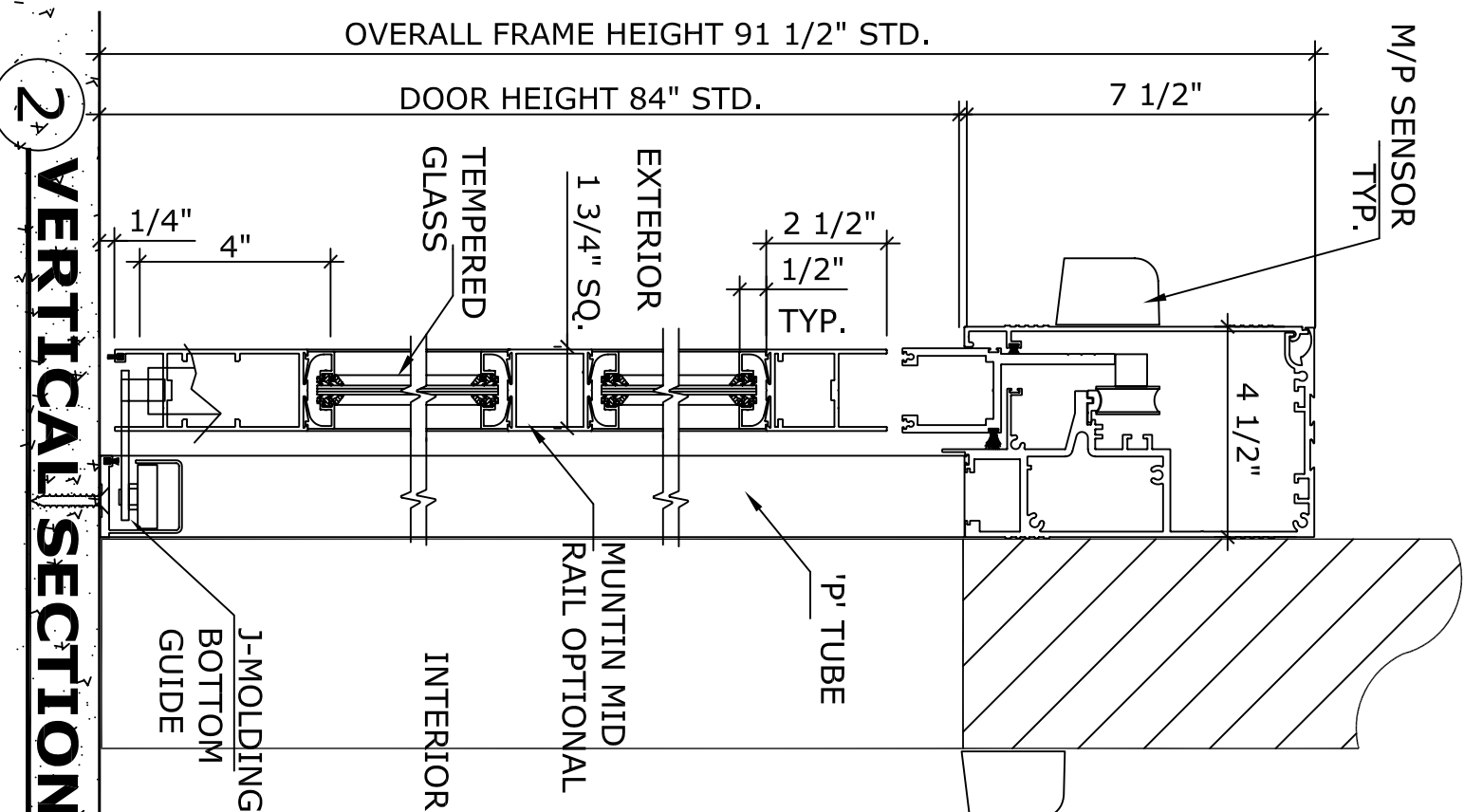
P-SX-SX-P : SURFACE MOUNTED SLIDER WITH 'P' PANEL, BI-PART SLIDING DOOR SYSTEM, NARROW STYLE DOORS.

STD. PACKAGE SHALL INCLUDE AUTOMATIC OPERATOR, FRAME AND DOORS WITH MUNTIN, 4" BOTTOM RAILS WITH CONCEALED SWEEP, BRUSH-PILE WEATHER STRIPPING, EMERGENCY BREAKAWAY, MS LOCK, GLAZING STOPS FOR 1/4" TEMPERED GLASS. CONCEALED BOTTOM GUIDES IN 'J' MOLDING OF FIXED 'P' PANELS, DUAL DOORWAY SAFETY BEAMS, 3-POSITION SWITCH & MOTION/PRESENCE SENSORS.

DOOR TYPE:	OVERALL FRAME WIDTH	FINISHED OPENING WIDTH	ACTIVE PANEL WIDTH	NET DOOR OPENING	BREAK OUT DIM'N
DS18-2-SFL	96"	44 1/2"	24"	37"	44 1/2"
SFL-8	120"	56 1/2"	30"	49"	56 1/2"
SFL-10	144"	68 1/2"	36"	61"	68 1/2"
SFL-12	168"	80 1/2"	42"	73"	80 1/2"
KEY (INCHES)	2(B+3 1/2)	(A/2-3 1/2)	(B/2+1 3/4)	(B-7 1/2)	(A/2-3 1/2)

REFER TO RELEVANT (LOCAL, STATE, NATIONAL OR AHJ) BUILDING CODE FOR MIN DOOR HEIGHT & MIN/MAX WIDTH ALLOWABLE FOR EGRESS REQUIREMENT.

APPLICATION:
DS-18-2-SFL. SURFACE MOUNT BI-PART,
AUTOMATIC SLIDING DOOR SYSTEM.



2 VERTICAL SECTION

NOTE:
HUNTER ACCESS TECHNOLOGIES INC. RESERVES
THE RIGHT TO CHANGE & IMPROVE ITS
PRODUCTS & SPECIFICATIONS WITHOUT NOTICE.

125 KENYON DRIVE
SUITE #3
LAKEWOOD, NJ 08701
TEL. 732-942-6099
FAX. 732-942-6033
www.hunteraccesstechnologies.com

SHEET TITLE:		SHEET NO.:	12
ARCHITECT:		SECTION:	DS
CONTRACTOR:		SCALE:	
DRAWN BY:		DATE:	