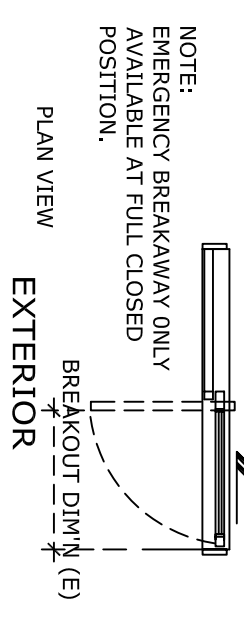
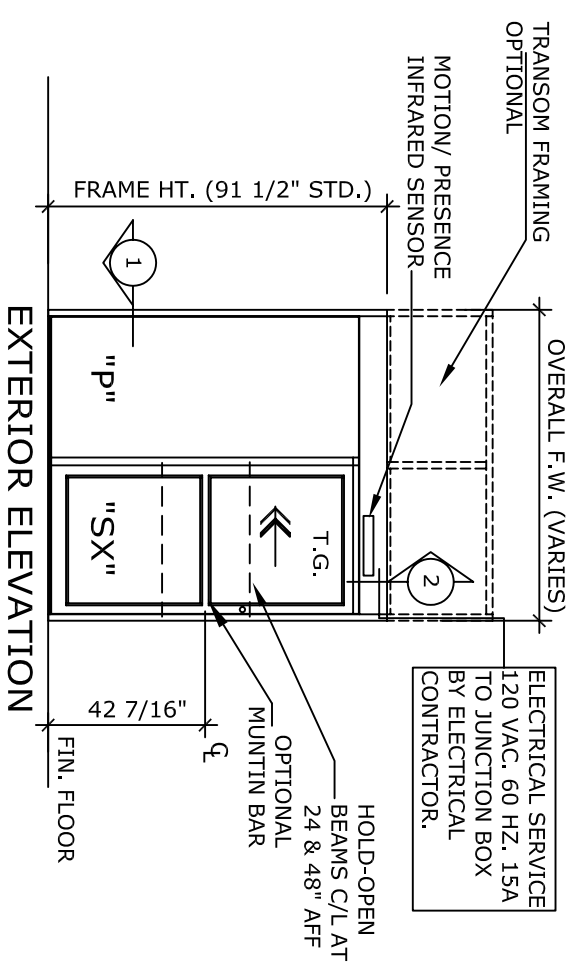


NOTE:
 AUTOMATIC SLIDING DOOR OPERATOR SHALL BE "DS-18" CUL USA APPROVED, CONFORMING TO UL STD. 325 & ANSI-BHMA STD. A156.10 CERTIFIED TO CAN. CSA STD. C22.2#24-93 AS MANUFACTURED BY HUNTER ACCESS TECHNOLOGIES INC.

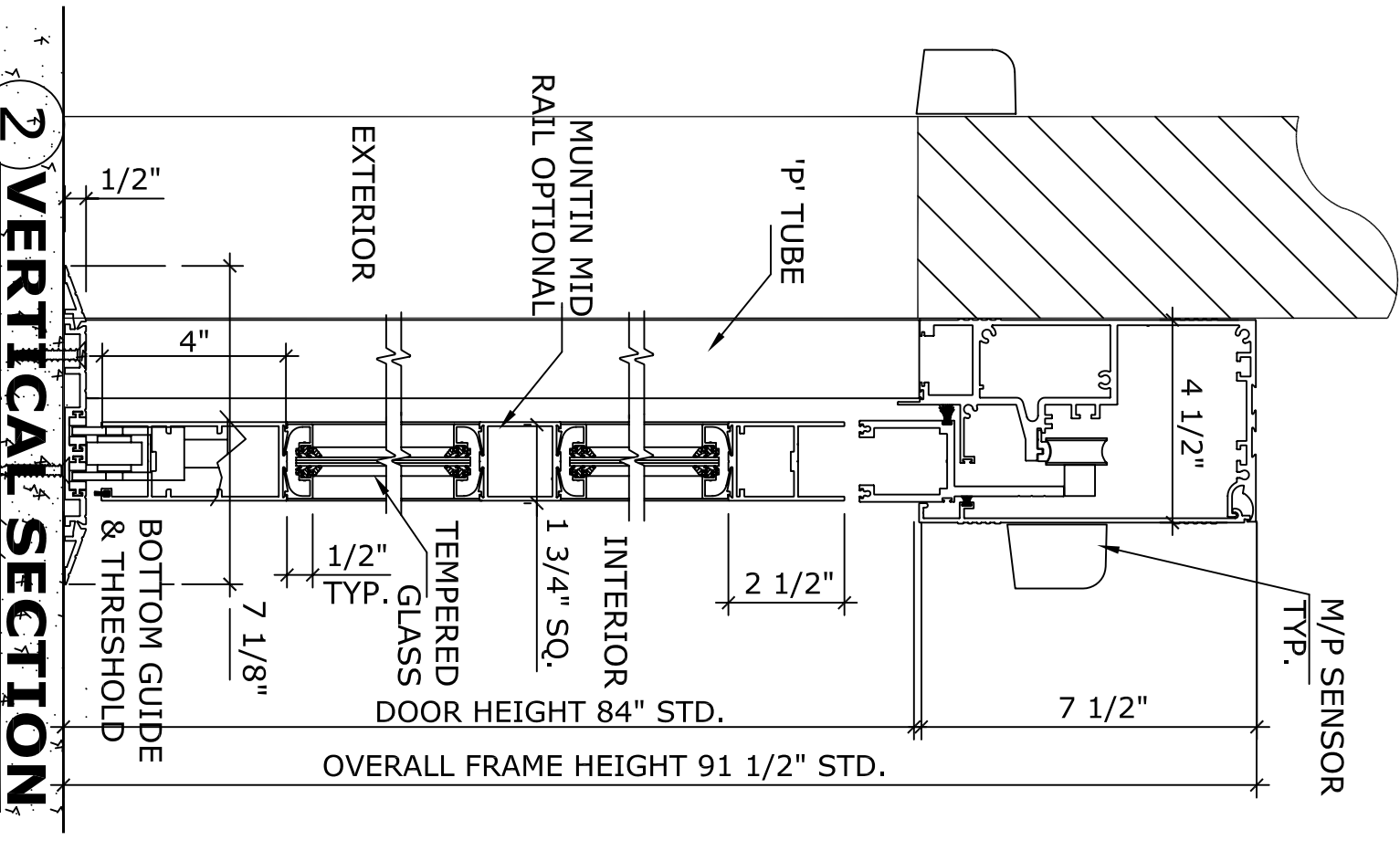
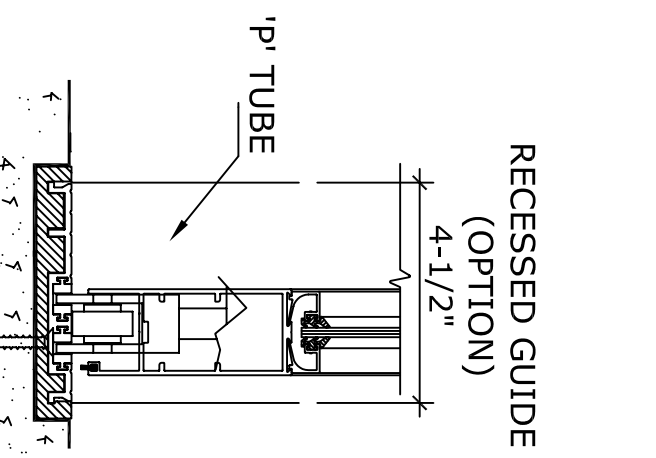
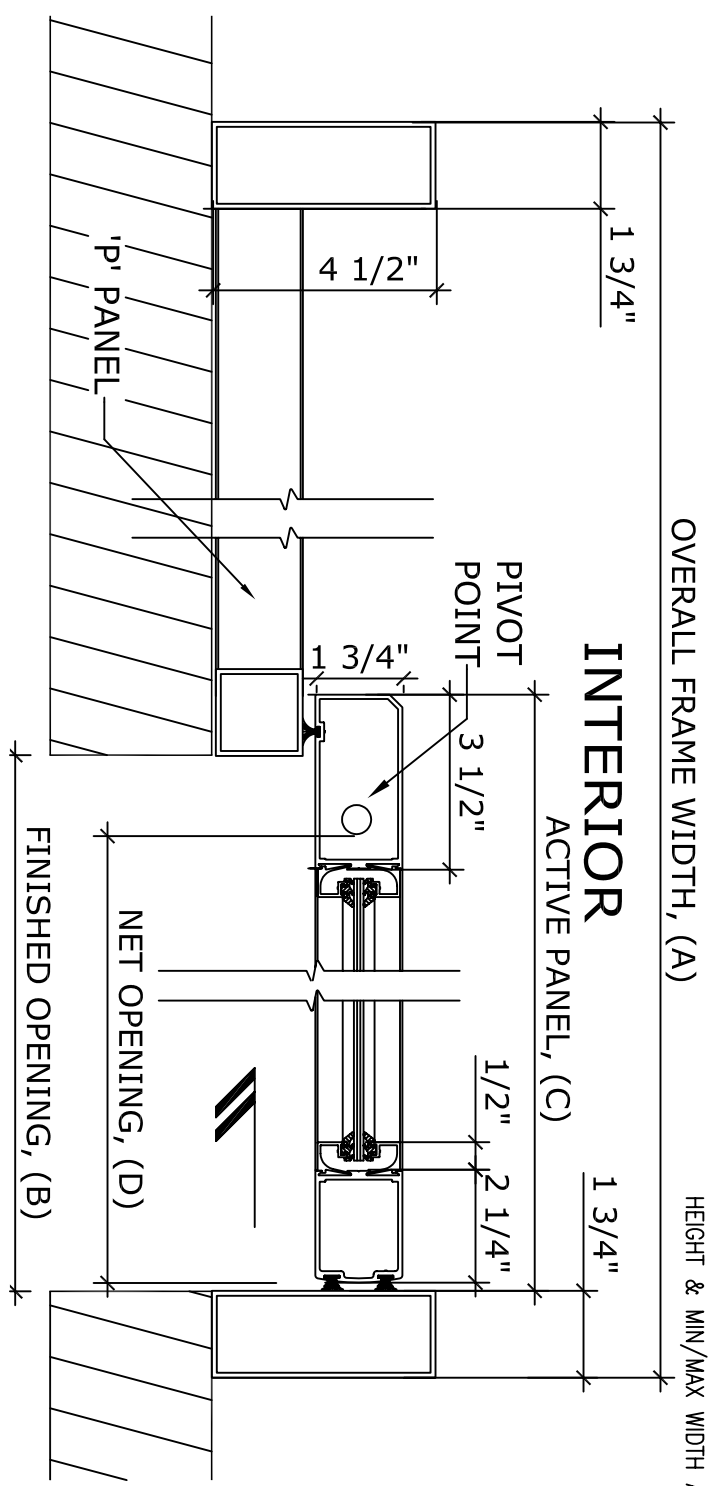
APPLICATION:
 DS-18-1-RVL. SURFACE MOUNT REVERSE BREAKOUT, LEFT HAND, AUTOMATIC SLIDING DOOR SYSTEM.

STANDARD FINISH: ANODIZED, CLEAR; DARK BRONZE; SPECIAL FINISHES ARE AVAILABLE



UNIT DESCRIPTION					
HUNTER DS-18-1-RVL					
P-SX : SURFACE MOUNT REVERSE BREAKOUT NARROW STILE WITH 'P' PANEL, SINGLE SLIDE DOOR SYSTEM.					
STD. PACKAGE SHALL INCLUDE AUTOMATIC OPERATOR, FRAME AND DOORS WITH MUNTIN, 4" BOTTOM RAILS WITH CONCEALED SWEEP, BRUSH-PILE WEATHER STRIPPING, EMERGENCY BREAKAWAY, MS LOCK, GLAZING STOPS FOR 1/4" TEMPERED GLASS. BOTTOM GUIDE SYSTEM SHALL BE PART OF FULL WIDTH THRESHOLD, DUAL DOORWAY SAFETY BEAMS, 3-POSITION SWITCH & MOTION/PRESENCE SENSORS.					
DOOR TYPE:	OVERALL FRAME WIDTH A	FINISHED OPENING B WIDTH	ACTIVE PANEL C WIDTH	NET DOOR OPENING D	BREAK OUT DIMIN E
DS18-1-RVL-	84"	41"	42 1/4"	37 1/4"	38 3/4"
RVL-7	96"	47"	48 1/4"	43 1/4"	44 3/4"
RVL-8	108"	53"	54 1/4"	49 1/4"	50 3/4"
RVL-9	2(B+1)	(A/2-1)	(B+1 1/4)	(B-3 3/4)	(B-2 1/4)

REFER TO RELEVANT (LOCAL, STATE, NATIONAL OR AHJ) BUILDING CODE FOR MIN DOOR HEIGHT & MIN/MAX WIDTH ALLOWABLE FOR EGRESS REQUIREMENT.



1 HORIZONTAL SECTION

2 VERTICAL SECTION

NOTE:
 HUNTER ACCESS TECHNOLOGIES INC. RESERVES THE RIGHT TO CHANGE & IMPROVE IT'S PRODUCTS & SPECIFICATIONS WITHOUT NOTICE.

125 KENYON DRIVE
 SUITE #3
 LAKEWOOD, NJ 08701
 TEL. 732-942-6099
 FAX. 732-942-6033
 www.hunteraccesstechnologies.com

SHEET TITLE:		SHEET NO.:	13
ARCHITECT:		SECTION:	DS
CONTRACTOR:		SCALE:	
DRAWN BY:		DATE:	