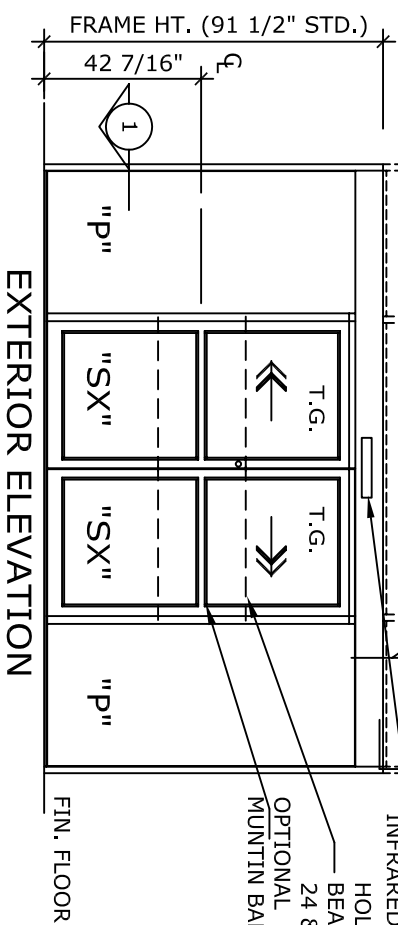


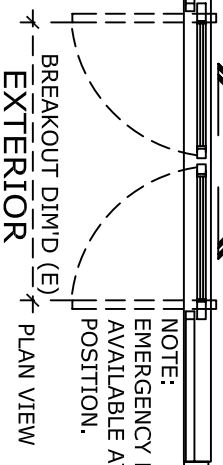
OVERALL F.W. (VARIES)  
 TRANSOM FRAMING OPTIONAL



ELECTRICAL SERVICE  
 120 VAC, 60 HZ, 15A  
 TO JUNCTION BOX  
 BY ELECTRICAL  
 CONTRACTOR.

MOTION/PRESENCE  
 INFRARED SENSOR  
 HOLD-OPEN  
 BEAMS C/L AT  
 24 & 48\"/>

EXTERIOR ELEVATION



NOTE:  
 EMERGENCY BREAKAWAY ONLY  
 AVAILABLE AT FULL CLOSED  
 POSITION.

NOTE:  
 AUTOMATIC SLIDING DOOR OPERATOR SHALL BE "DS-18" CUL USA  
 APPROVED, CONFORMING TO UL STD. 325 & ANSI-BHMA STD. A156.10  
 CERTIFIED TO CAN. CSA STD. C22.2.#24-93 AS MANUFACTURED BY  
 HUNTER ACCESS TECHNOLOGIES INC.

APPLICATION:  
 DS-18-2-RV. SURFACE MOUNT REVERSE BREAKOUT  
 BI-PART, AUTOMATIC SLIDING DOOR SYSTEM.

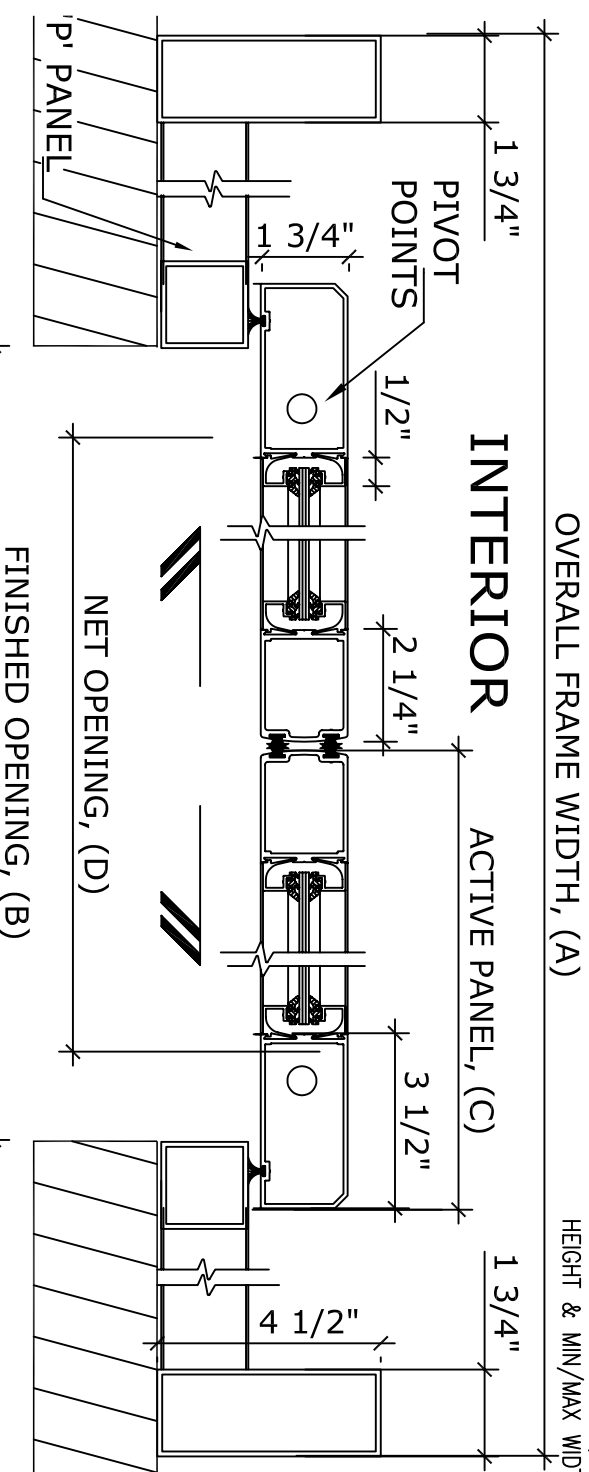
UNIT DESCRIPTION

HUNTER DS-18-2-RV

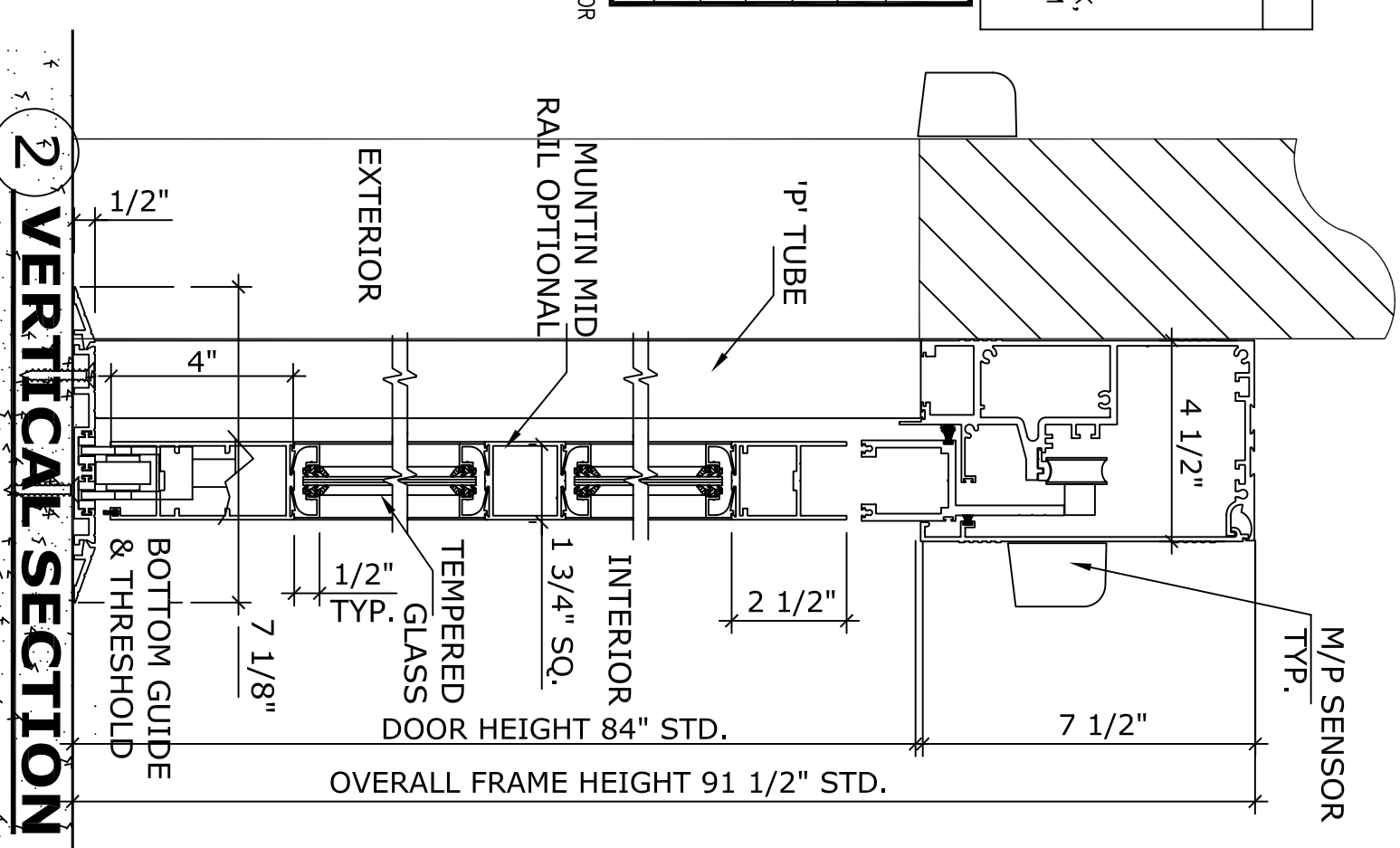
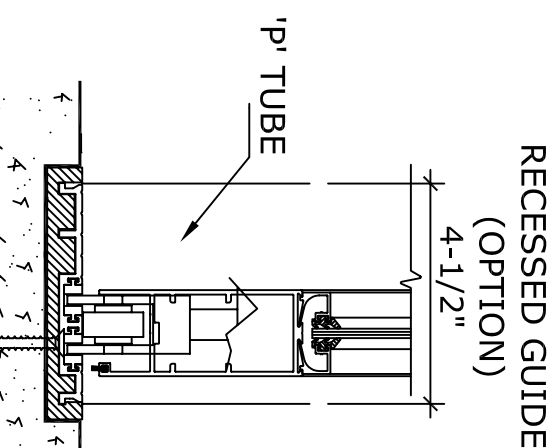
P-SX-SX-P : SURFACE MOUNT REVERSE BREAKOUT  
 NARROW STILE WITH 'P' PANEL BI-PART DOOR SYSTEM.  
 STD. PACKAGE SHALL INCLUDE AUTOMATIC OPERATOR, FRAME AND  
 DOORS WITH MUNTIN, 4\"/>

DOOR TYPE:	OVERALL FRAME WIDTH	FINISHED OPENING WIDTH	ACTIVE PANEL WIDTH	NET DOOR OPENING	BREAK OUT DIM'N
DS18-2-RV-					
RV-8	96"	47 3/4"	25 1/8"	40 1/4"	43 1/4"
RV-10	120"	59 3/4"	31 1/8"	52 1/4"	55 1/4"
RV-12	144"	71 3/4"	37 1/8"	64 1/4"	67 1/4"
RV-14	168"	83 3/4"	43 1/8"	76 1/4"	79 1/4"
RV-16	192"	95 3/4"	49 1/8"	88 1/4"	91 1/4"
KEY (INCHES)	(2B+1/2)	(A/2-1/4)	(B/2+1 1/4)	(B-7 1/2)	(B-4 1/2)

REFER TO RELEVANT (LOCAL, STATE, NATIONAL OR AHJ) BUILDING CODE FOR MIN DOOR  
 HEIGHT & MIN/MAX WIDTH ALLOWABLE FOR EGRESS REQUIREMENT.



1 HORIZONTAL SECTION



2 VERTICAL SECTION

SHEET TITLE:

ARCHITECT:

CONTRACTOR:

SCALE:

DRAWN BY:

DATE:

SHEET NO.

15

SECTION

DS

NOTE:  
 HUNTER ACCESS TECHNOLOGIES INC. RESERVES  
 THE RIGHT TO CHANGE & IMPROVE IT'S  
 PRODUCTS & SPECIFICATIONS WITHOUT NOTICE.



125 KENYON DRIVE  
 SUITE #3  
 LAKEWOOD, NJ 08701  
 TEL. 732-942-6099  
 FAX. 732-942-6033  
 www.hunteraccesstechnologies.com