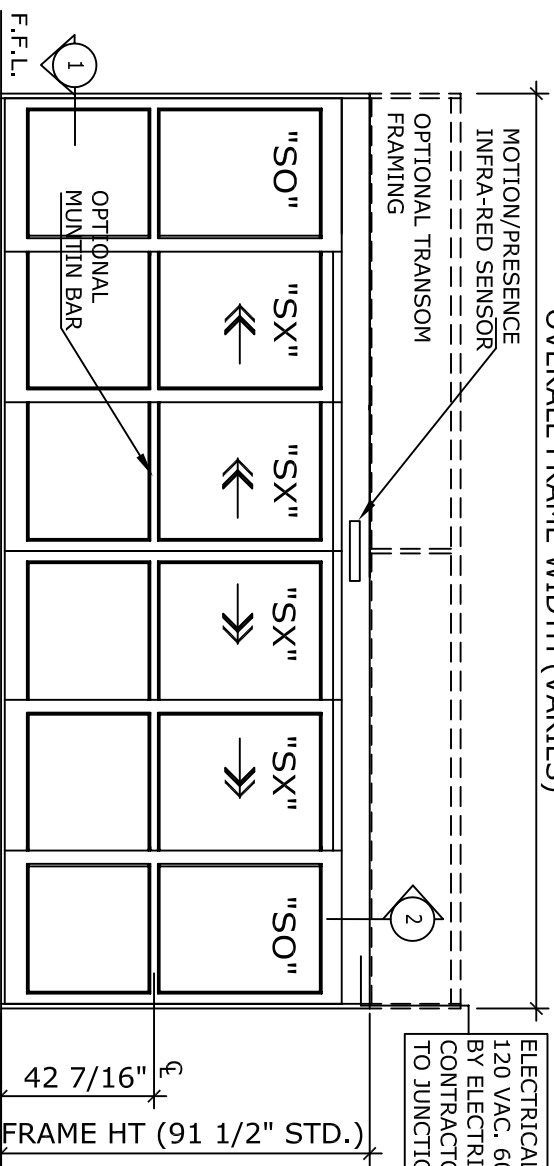


OVERALL FRAME WIDTH (VARIES)



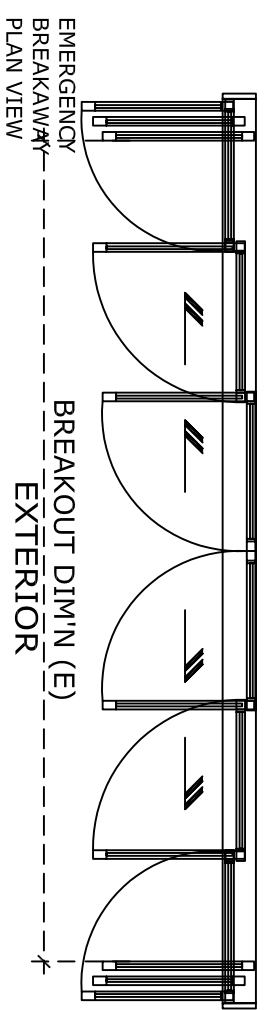
ELECTRICAL SUPPLY
120 VAC, 60 HZ, 15A
BY ELECTRICAL
CONTRACTOR
TO JUNCTION BOX

NOTE:
AUTOMATIC SLIDING DOOR OPERATOR SHALL BE "DS-18"
CUL USA APPROVED, CONFORMING TO UL STD. 325 &
ANSI-BHMA STD. A156.10 CERTIFIED TO CAN. CSA STD.
C22.2#24-93 AS MANUFACTURED BY HUNTER ACCESS
TECHNOLOGIES INC.

STANDARD FINISH: ANODIZED, CLEAR; DARK BRONZE;
SPECIAL FINISHES ARE AVAILABLE

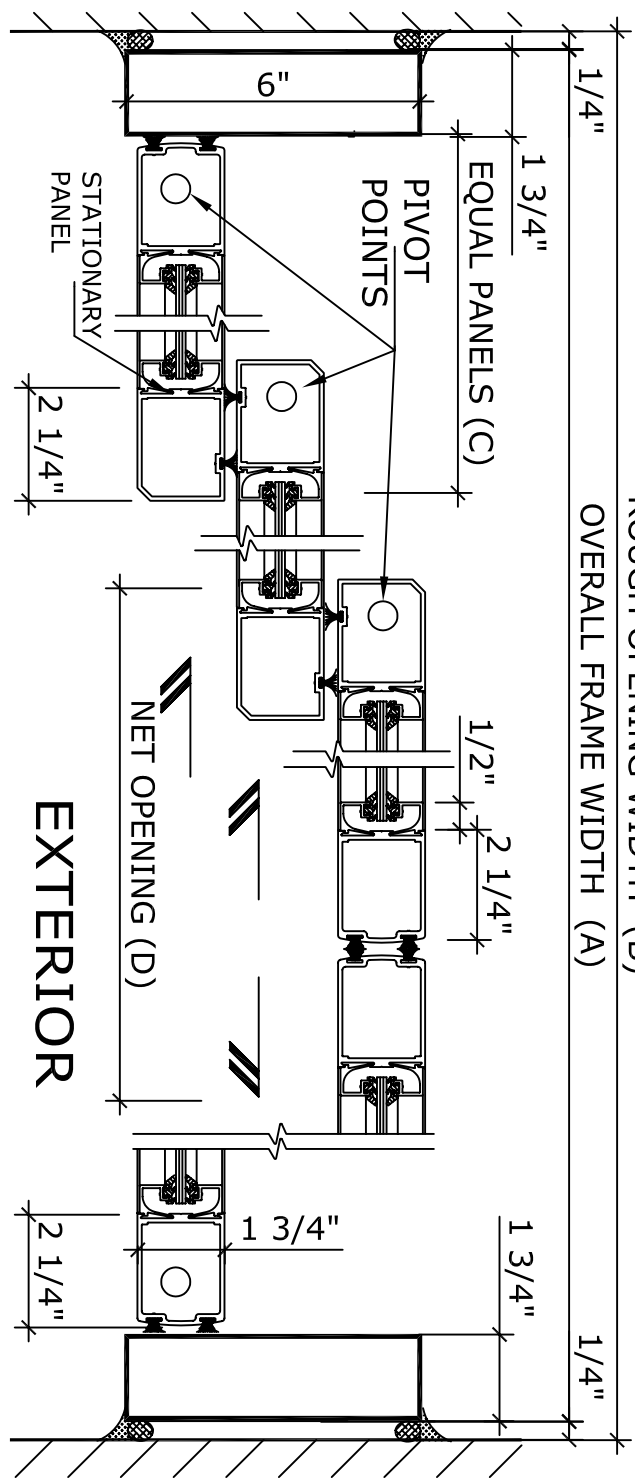
UNIT DESCRIPTION
HUNTER DS-18-6-TFB
SO-SX-SX-SX-SX-SO : OVERHEAD CONCEALED TELESCOPIC FULL BREAKOUT SLIDE DOOR SYSTEM, NARROW STILE DOORS. STD. PACKAGE SHALL INCLUDE AUTOMATIC OPERATOR, FRAME AND DOORS WITH MUNTIN, 4" BOTTOM RAILS WITH CONCEALED SWEEP, BRUSH-PILE WEATHER STRIPPING, EMERGENCY BREAKAWAY, MS LOCK, GLAZING STOPS FOR 1/4" TEMPERED GLASS, BOTTOM GUIDE SYSTEM, SHALL BE PART OF FULL WIDTH THRESHOLD, DUAL DOORWAY SAFETY BEAMS, 3-POSITION SWITCH & MOTION/PRESENCE SENSORS.

EXTERIOR ELEVATION

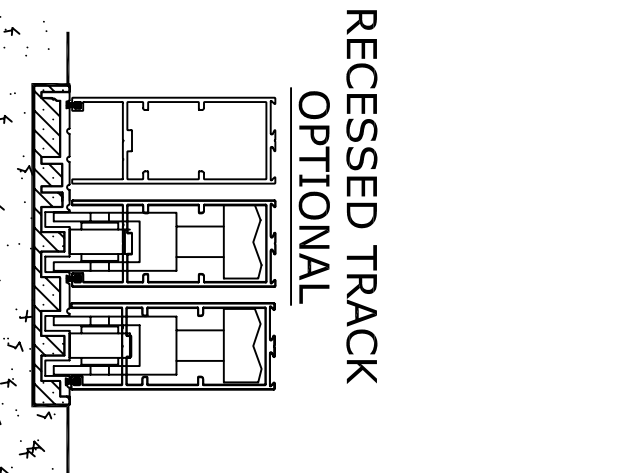


DOOR TYPE: DS18-6-TFB-	OVERALL FRAME A WIDTH	ROUGH OPENING B WIDTH	EQUAL PANELS C WIDTH	NET DOOR D OPENING	BREAK OUT DIM'N E
TFB-10	120"	120 1/2"	21 1/4"	58 3/4"	97 1/2"
TFB-12	144"	144 1/2"	25 1/4"	74 3/4"	121 1/2"
TFB-14	168"	168-1/2"	29 1/4"	90 3/4"	145 1/2"
TFB-16	192"	192-1/2"	33 1/4"	106 3/4"	169 1/2"
KEY (INCHES)	(B-1/2)	(A+1/2)	(A/6+1 1/4)	(2A/3+21 1/4)	(A-22 1/2)

REFER TO RELEVANT (LOCAL, STATE, NATIONAL OR AHJ) BUILDING CODE FOR MIN DOOR HEIGHT & MIN/MAX WIDTH ALLOWABLE FOR EGRESS REQUIREMENT.



1 HORIZONTAL SECTION

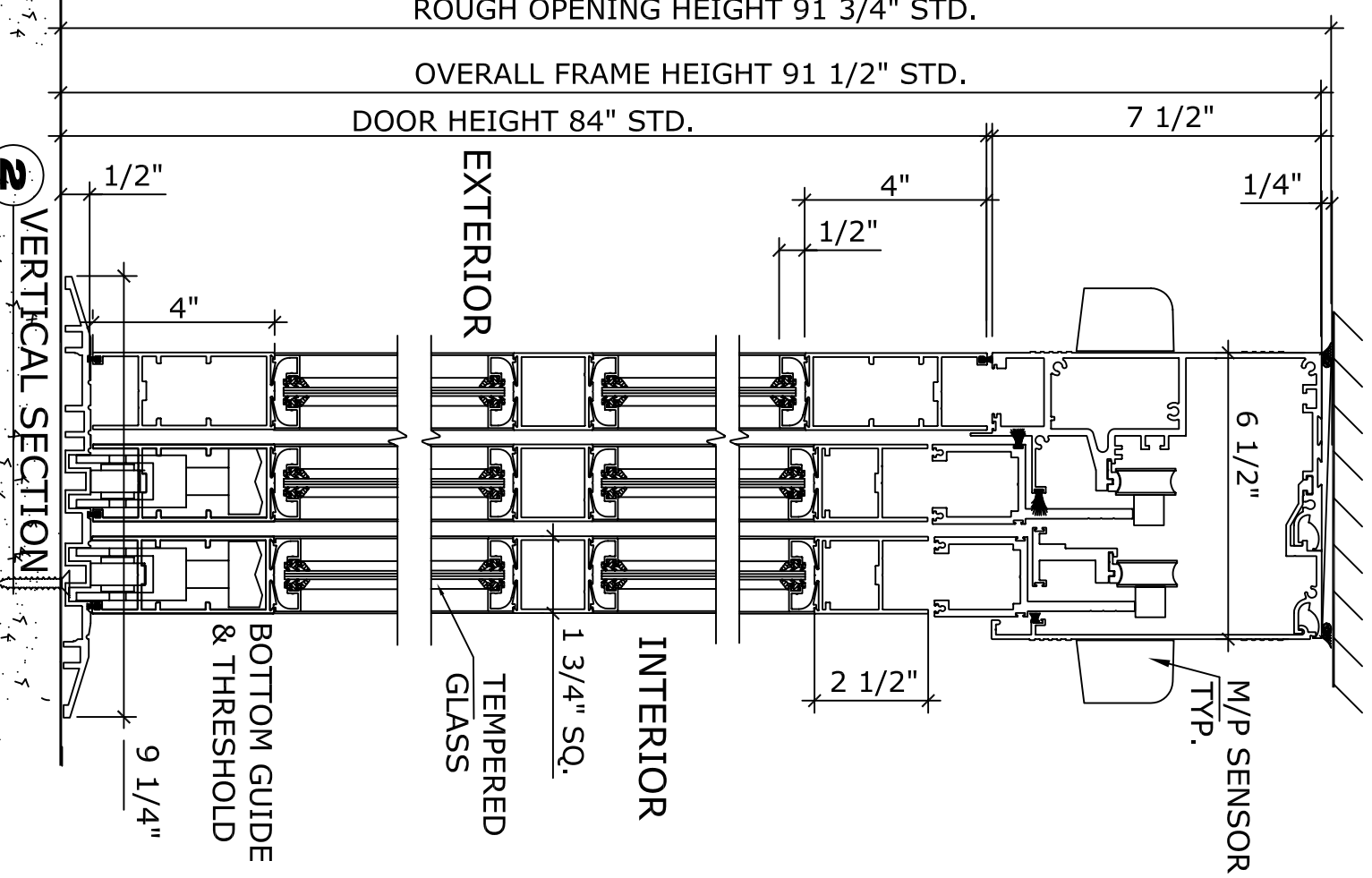


RECESSED TRACK
OPTIONAL

ROUGH OPENING HEIGHT 91 3/4" STD.

OVERALL FRAME HEIGHT 91 1/2" STD.

DOOR HEIGHT 84" STD.



2 VERTICAL SECTION

APPLICATION:
DS-18-6-TFB. TELESCOPIC FULL BREAKOUT
BI-PART, AUTOMATIC SLIDING DOOR SYSTEM.

NOTE:
HUNTER ACCESS TECHNOLOGIES INC. RESERVES
THE RIGHT TO CHANGE & IMPROVE IT'S
PRODUCTS & SPECIFICATIONS WITHOUT NOTICE.

125 KENYON DRIVE
SUITE #3
LAKEWOOD, NJ 08701
TEL: 732-942-6099
FAX: 732-942-6033
www.hunteraccess technologies.com

SHEET TITLE:		SHEET NO.	18
ARCHITECT:			
CONTRACTOR:			
DETAIL SCALE		DRAWN BY	
		DATE	
			SECTION DS