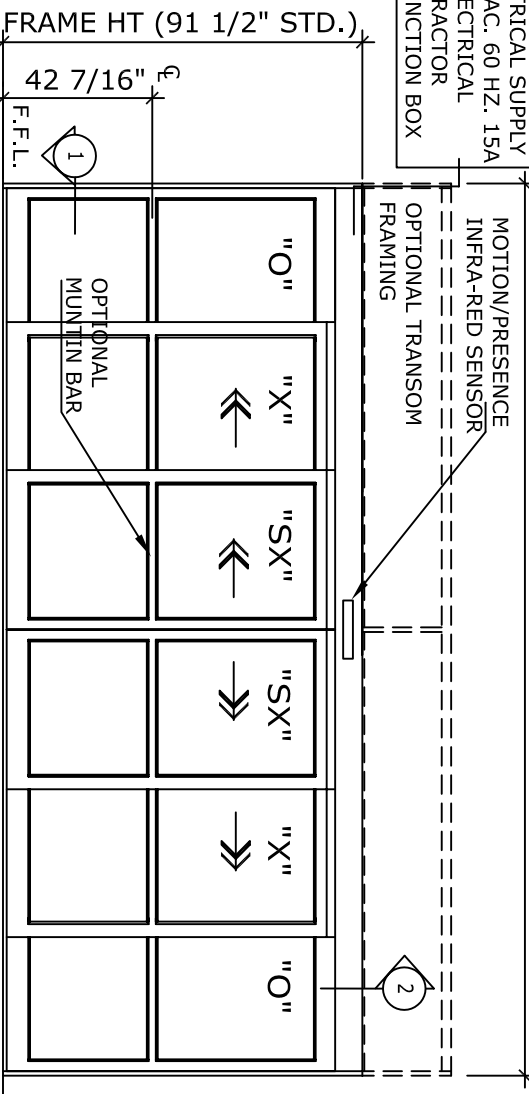
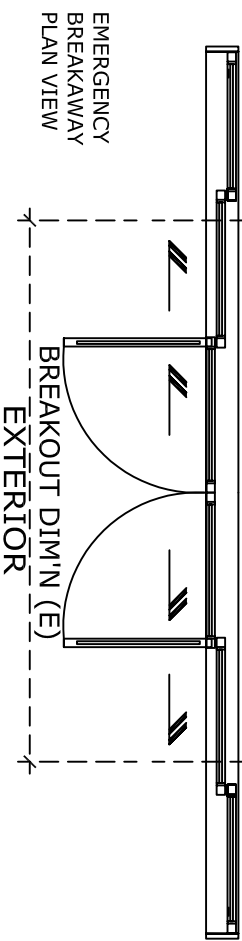


ELECTRICAL SUPPLY
120 VAC, 60 HZ, 15A
BY ELECTRICAL
CONTRACTOR
TO JUNCTION BOX

OVERALL FRAME WIDTH (VARIES)



EXTERIOR ELEVATION



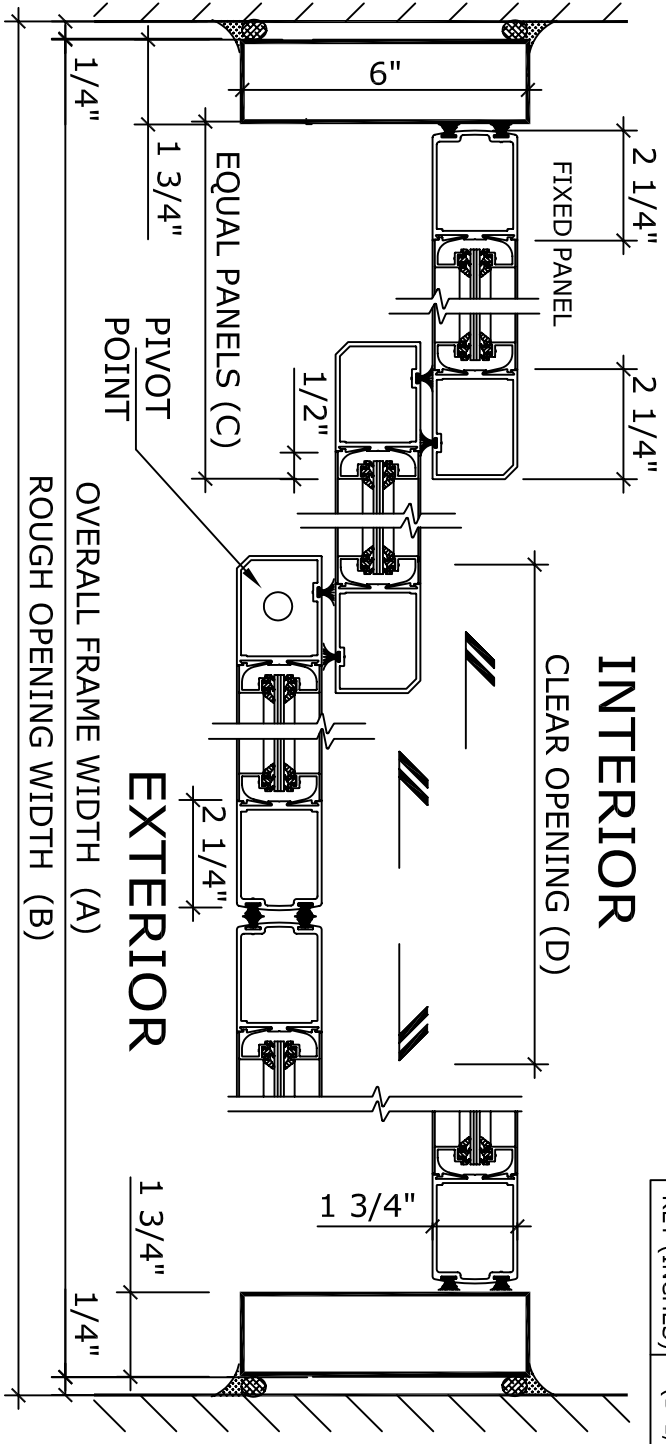
NOTE:
AUTOMATIC SLIDING DOOR OPERATOR SHALL BE "DS-18"
CUL USA APPROVED, CONFORMING TO UL STD. 325 &
ANSI-BHMA STD. A156.10 CERTIFIED TO CAN. CSA STD.
C22.2#24-93 AS MANUFACTURED BY HUNTER ACCESS
TECHNOLOGIES INC.

STANDARD FINISH: ANODIZED, CLEAR; DARK BRONZE;
SPECIAL FINISHES ARE AVAILABLE

UNIT DESCRIPTION
HUNTER DS-18-6-TFL
O-X-SX-SX-X-O : OVERHEAD CONCEALED TELESCOPIC FIXED SIDELITE SLIDE DOOR SYSTEM, NARROW STYLE DOORS, STD. PACKAGE SHALL INCLUDE AUTOMATIC OPERATOR, FRAME AND DOORS WITH MUNTIN, 4" BOTTOM RAILS WITH CONCEALED SWEEP, BRUSH-PILE WEATHER STRIPPING, EMERGENCY BREAKAWAY, MS LOCK, GLAZING STOPS FOR 1/4" TEMPERED GLASS, DOOR GUIDE SYSTEM, SHALL BE CONCEALED IN BOTTOM HORIZONTAL RAILS, DUAL DOORWAY SAFETY BEAMS, 3-POSITION SWITCH & MOTION/PRESENCE SENSORS.

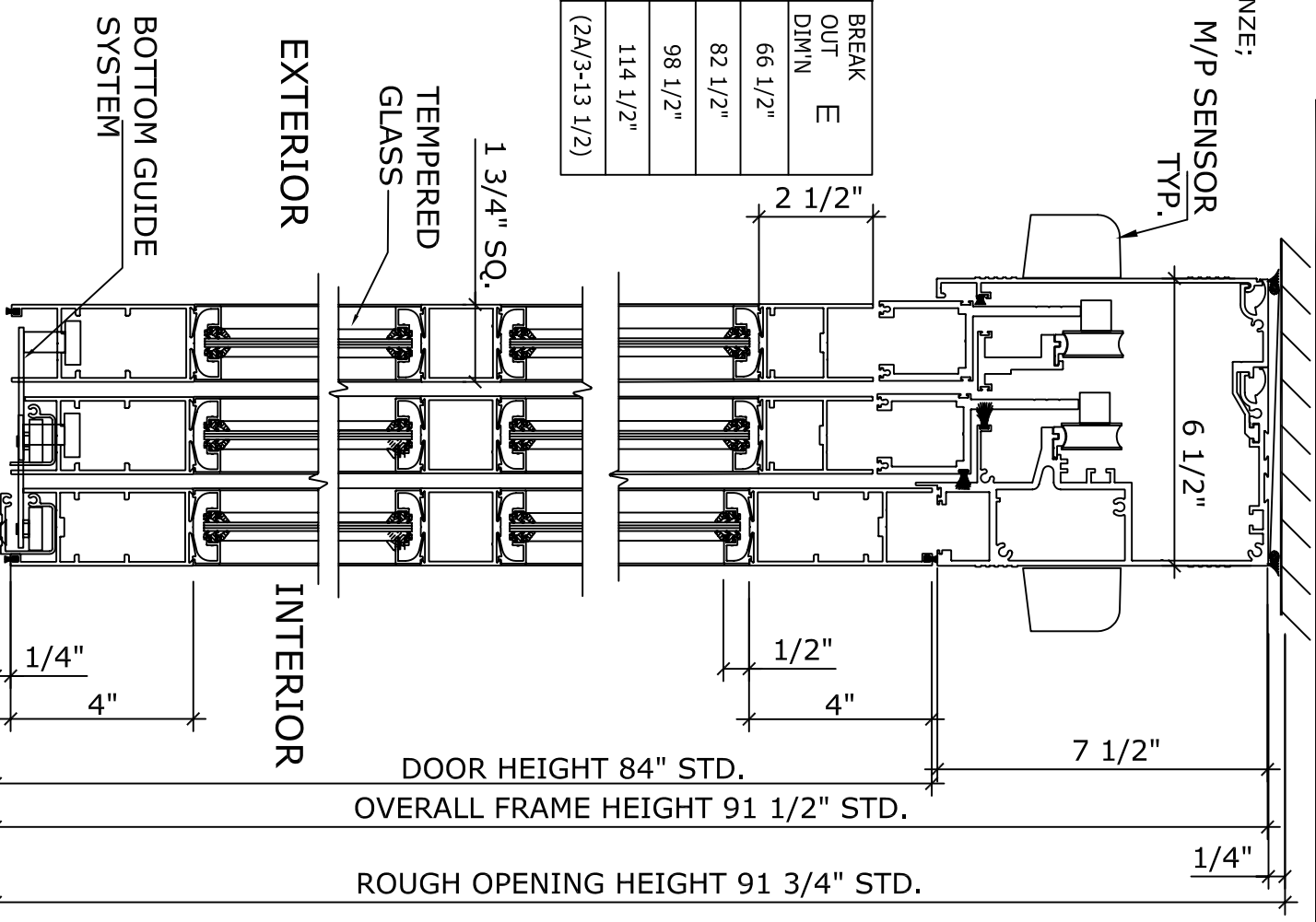
REFER TO RELEVANT (LOCAL, STATE, NATIONAL OR AHJ) BUILDING CODE FOR MIN DOOR
HEIGHT & MIN/MAX WIDTH ALLOWABLE FOR EGRESS REQUIREMENT.

DOOR TYPE: DS18-6-TFL-	OVERALL FRAME A WIDTH	ROUGH OPENING B WIDTH	EQUAL PANELS C WIDTH	NET DOOR D OPENING	BREAK OUT DIM'N E
TFL-10	120"	120 1/2"	21 1/4"	59"	66 1/2"
TFL-12	144"	144 1/2"	25 1/4"	75"	82 1/2"
TFL-14	168"	168-1/2"	29 1/4"	91"	98 1/2"
TFL-16	192"	192-1/2"	33 1/4"	107"	114 1/2"
KEY (INCHES)	(B-1/2)	(A+1/2)	(A/6+1 1/4)	(2A/3-21)	(2A/3-13 1/2)



1 HORIZONTAL SECTION

APPLICATION:
DS-18-6-TFL, TELESCOPIC FIXED SIDELITE
BI-PART, AUTOMATIC SLIDING DOOR SYSTEM.



2 VERTICAL SECTION

NOTE:
HUNTER ACCESS TECHNOLOGIES INC. RESERVES
THE RIGHT TO CHANGE & IMPROVE IT'S
PRODUCTS & SPECIFICATIONS WITHOUT NOTICE.



125 KENYON DRIVE
SUITE #3
LAKEWOOD, NJ 08701
TEL. 732-942-6099
FAX. 732-942-6033
www.hunteraccesstechnologies.com

SHEET TITLE:	SHEET NO.
ARCHITECT:	21
CONTRACTOR:	SECTION
DETAIL SCALE	DS
DRAWN BY	
DATE	