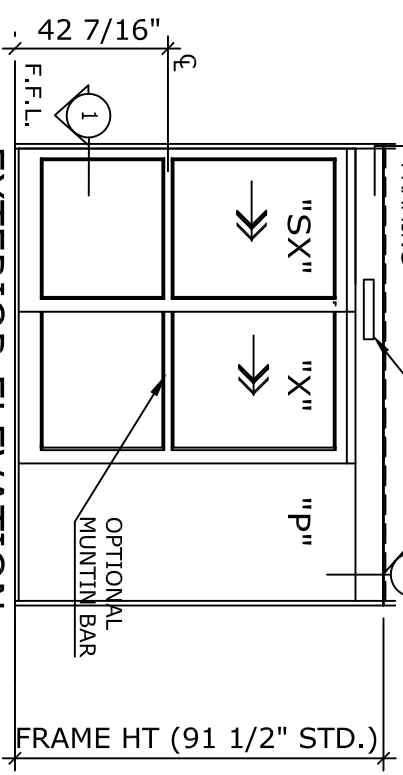


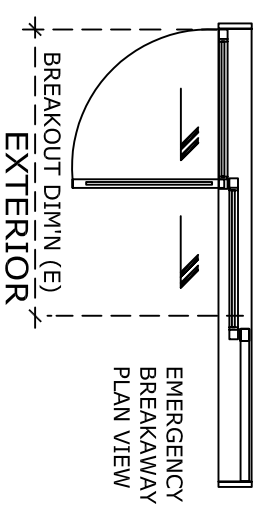
ELECTRICAL SUPPLY
120 VAC, 60 HZ, 15A
BY ELECTRICAL
CONTRACTOR
TO JUNCTION BOX

OVERALL FRAME WIDTH (VARIES)

MOTION/PRESENCE
INFRARED SENSOR



EXTERIOR ELEVATION



NOTE:
AUTOMATIC SLIDING DOOR OPERATOR SHALL BE "DS-18"
CUL USA APPROVED, CONFORMING TO UL STD. 325 &
ANSI-BHMA STD. A156.10 CERTIFIED TO CAN. CSA STD.
C22.2#24-93 AS MANUFACTURED BY HUNTER ACCESS
TECHNOLOGIES INC.

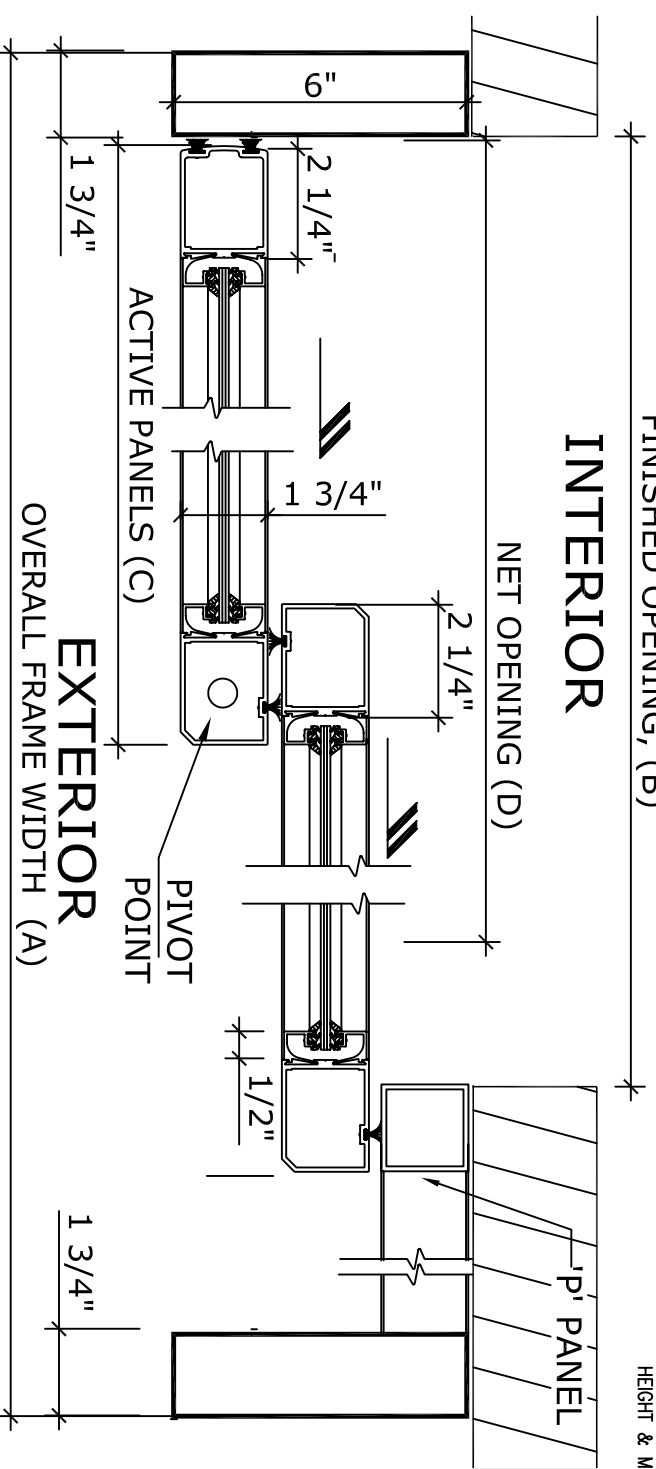
STANDARD FINISH: ANODIZED, CLEAR; DARK BRONZE;
SPECIAL FINISHES ARE AVAILABLE

UNIT DESCRIPTION

HUNTER DS-18-3-TSFLR
SX-X-P: SURFACE MOUNTED TELESCOPIC RIGHT HAND SLIDE
SYSTEM WITH "P" PANEL, NARROW STILE DOORS.
STD. PACKAGE SHALL INCLUDE AUTOMATIC OPERATOR, FRAME AND
DOORS WITH MUNTIN, 4" BOTTOM RAILS WITH CONCEALED SWEEP,
BRUSH-PILE WEATHER STRIPPING, EMERGENCY BREAKAWAY, MS LOCK,
GLAZING STOPS FOR 1/4" TEMPERED GLASS, DOOR GUIDE SYSTEM
SHALL BE CONCEALED IN BOTTOM HORIZONTAL RAILS, DUAL DOORWAY
SAFETY BEAMS, 3-POSITION SWITCH & MOTION/PRESENCE SENSORS.

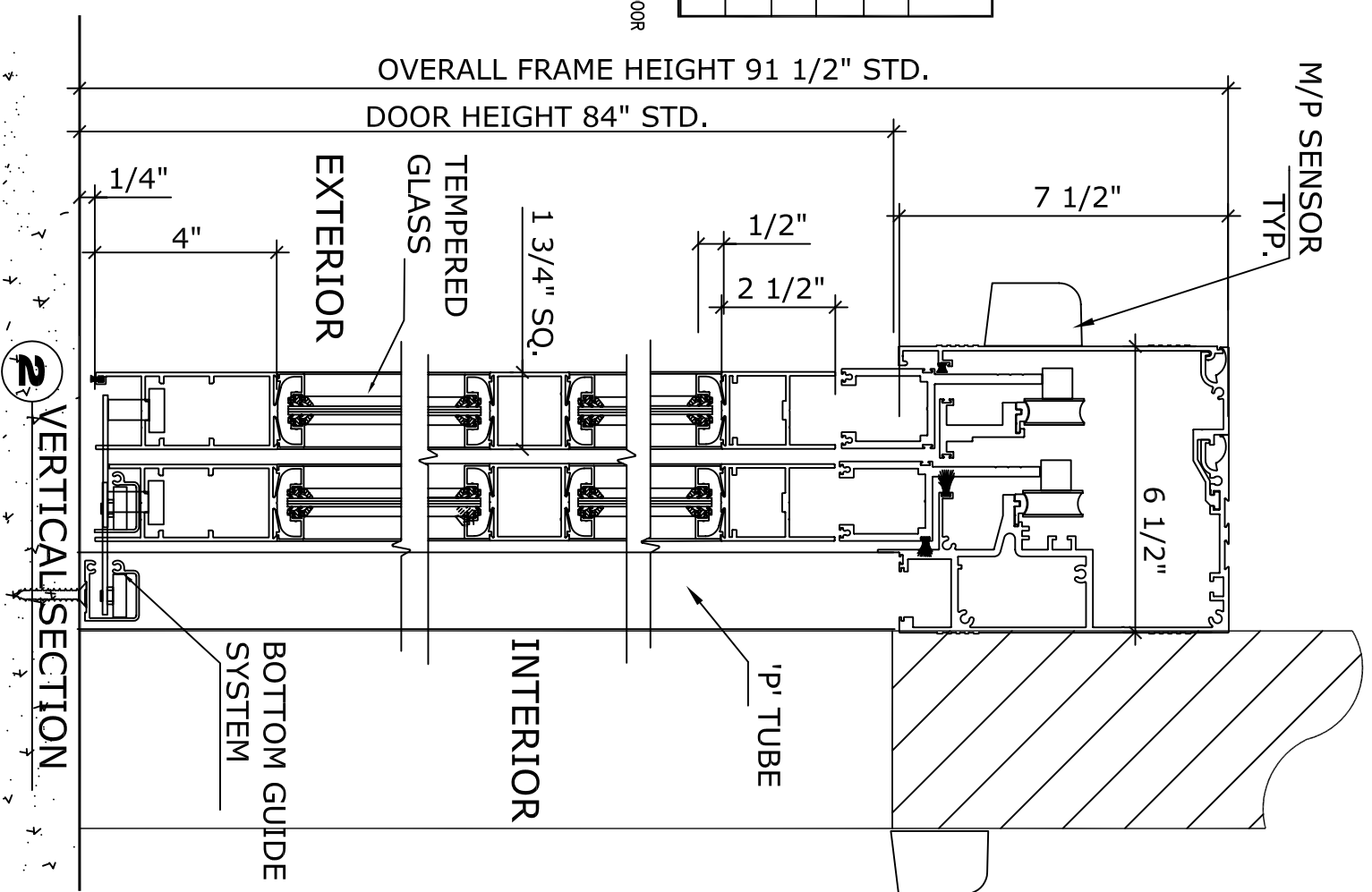
DOOR TYPE:	OVERALL FRAME A WIDTH	FINISHED OPENING B WIDTH	ACTIVE PANELS C WIDTH	NET DOOR D OPENING	MAX B/OUT E DIMIN
DS18-3-TSFLR-	77 3/4"	48"	26 1/4"	42 1/4"	46"
TSFLR-4	95 3/4"	60"	32 1/4"	54 1/4"	58"
TSFLR-5	113 3/4"	72"	38 1/4"	66 1/4"	70"
TSFLR-6	131 3/4"	84"	44 1/4"	78 1/4"	82"
TSFLR-7	(3B/2+5 3/4)	(A-5 3/4)2/3	(B/2+2 1/4)	(B-5 3/4)	(B-2)

REFER TO RELEVANT (LOCAL, STATE, NATIONAL OR AHJ) BUILDING CODE FOR MIN DOOR
HEIGHT & MIN/MAX WIDTH ALLOWABLE FOR EGRESS REQUIREMENT.



1 HORIZONTAL SECTION

APPLICATION:
DS-18-3-TSFLR. TELESCOPIC SURFACE MOUNT
RIGHT HAND, AUTOMATIC SLIDING DOOR SYSTEM.



2 VERTICAL SECTION

NOTE:
HUNTER ACCESS TECHNOLOGIES INC. RESERVES
THE RIGHT TO CHANGE & IMPROVE IT'S
PRODUCTS & SPECIFICATIONS WITHOUT NOTICE.



125 KENYON DRIVE
SUITE #3
LAKEWOOD, NJ 08701
TEL: 732-942-6099
FAX: 732-942-6033
www.hunteraccess technologies.com

SHEET TITLE:	ARCHITECT:	SHEET NO. 23
CONTRACTOR:	DRAWN BY:	SECTION DS
DETAIL SCALE:	DATE:	