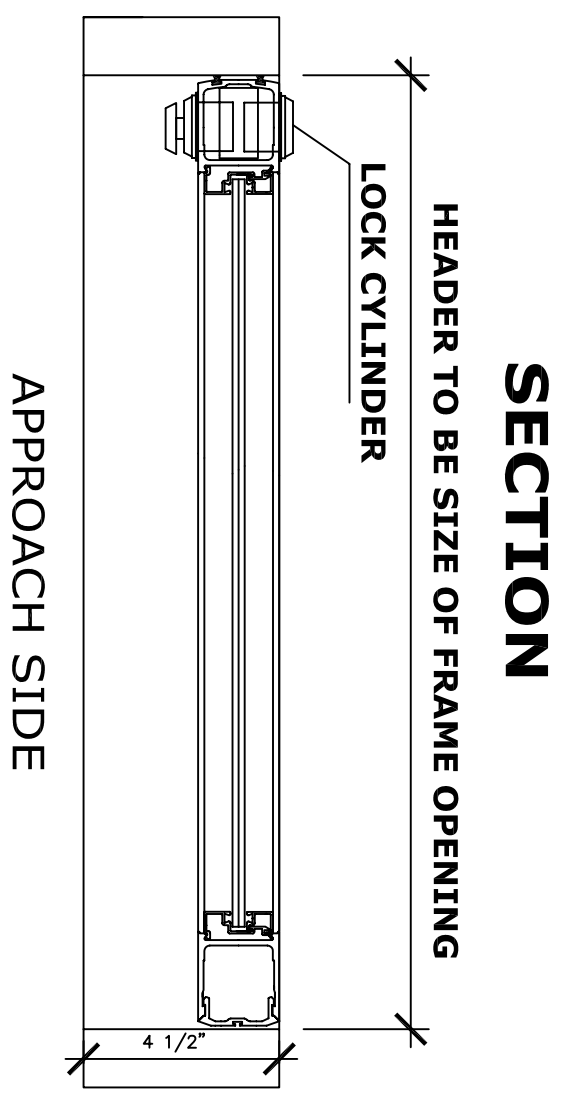
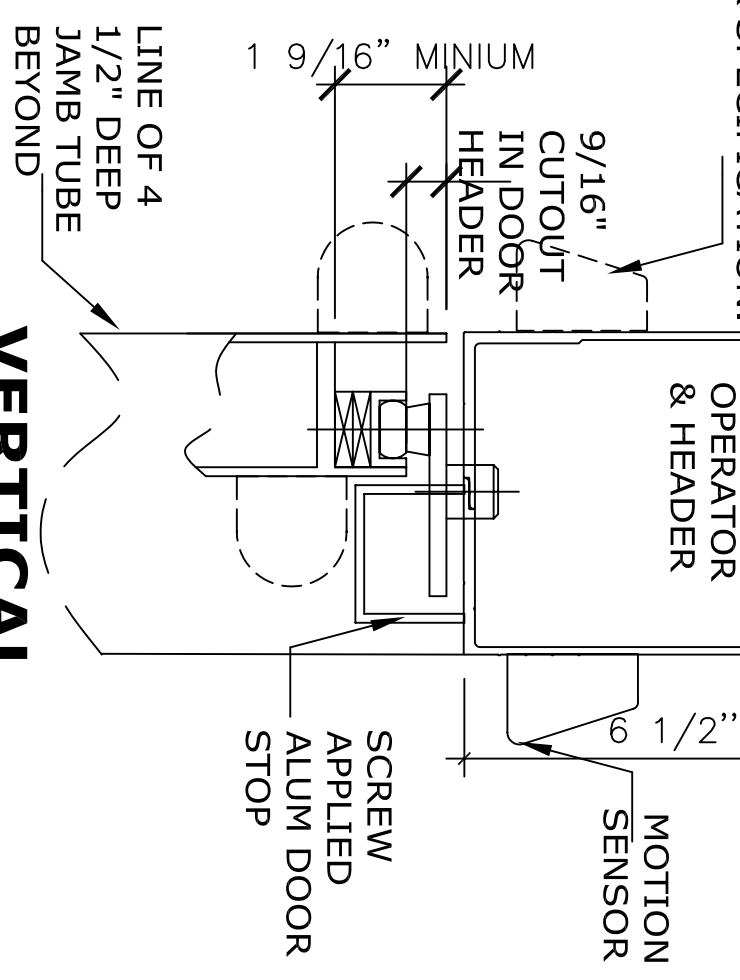
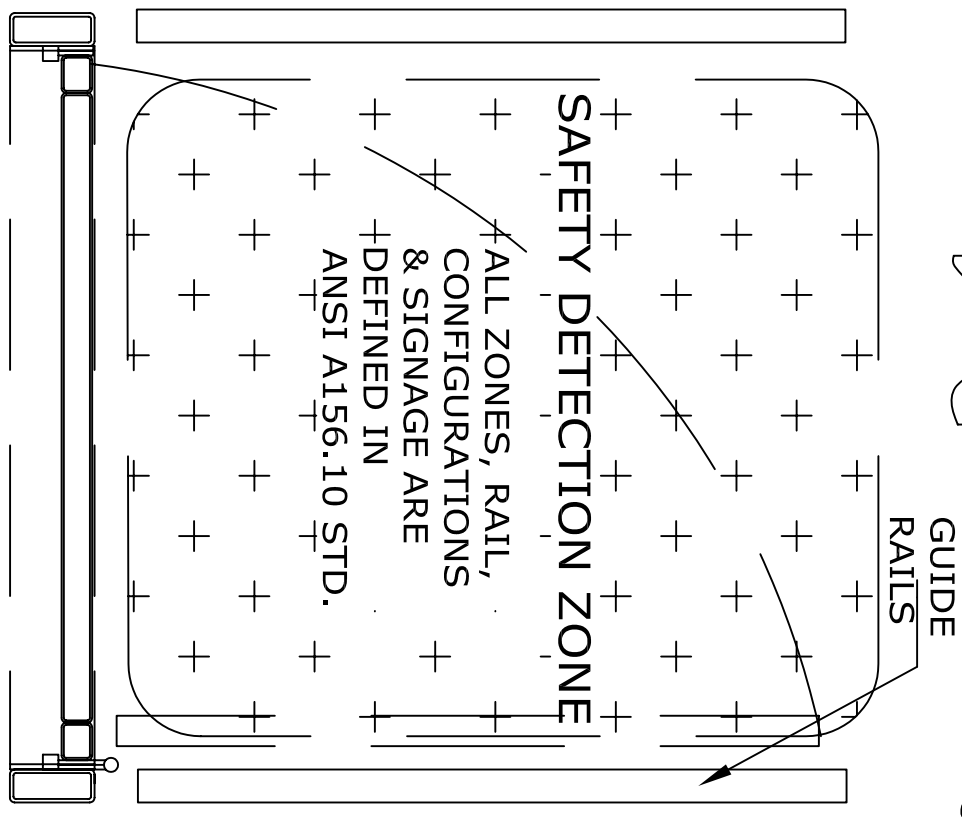
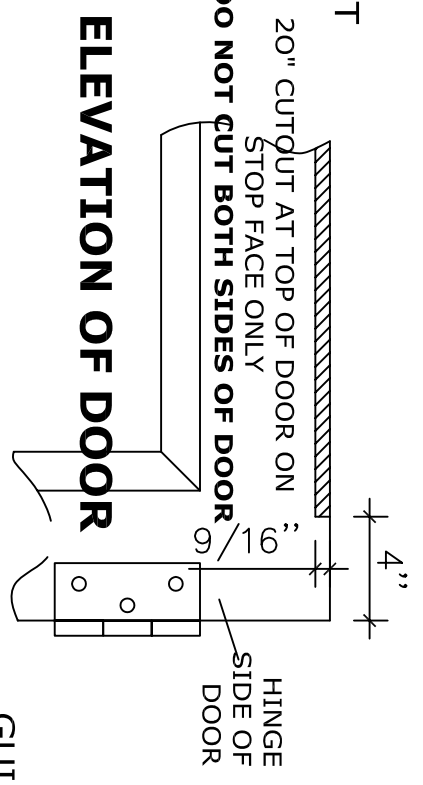


DRYWALL BY OTHERS
 REINFORCEMENT BY OTHERS
 OVERHEAD AND/OR DOOR MOUNTED SAFETY SENSORS AS PER SPECIFICATION.
 FA-8 OPERATOR & HEADER
 4 1/2"



HORIZONTAL SECTION



PLAN

APPLICATION:
 FA-8-CS-3 FULLY AUTOMATIC
 RIGHT HAND BUTT HUNG/OFFSET PIVOT.

NOTE:
 AUTOMATIC SWING DOOR OPERATOR SHALL BE "FA-8" CETL USA APPROVED, CONFORMING TO UL STD. 325 & ANSI-BHMA STD. A156.10 CERTIFIED TO CAN. CSA STD. C22.2.#247 AS MANUFACTURED BY HUNTER ACCESS TECHNOLOGIES INC.
 COMPLETE DOOR SYSTEM MUST MEET ANSI A156.10 STANDARDS

STANDARD FINISH: CLEAR ANODIZE, DARK BRONZE,
 SPECIAL FINISHES ARE AVAILABLE

120V AC. 60HZ. 15A.
 BY ELEC. CONTRACTOR.

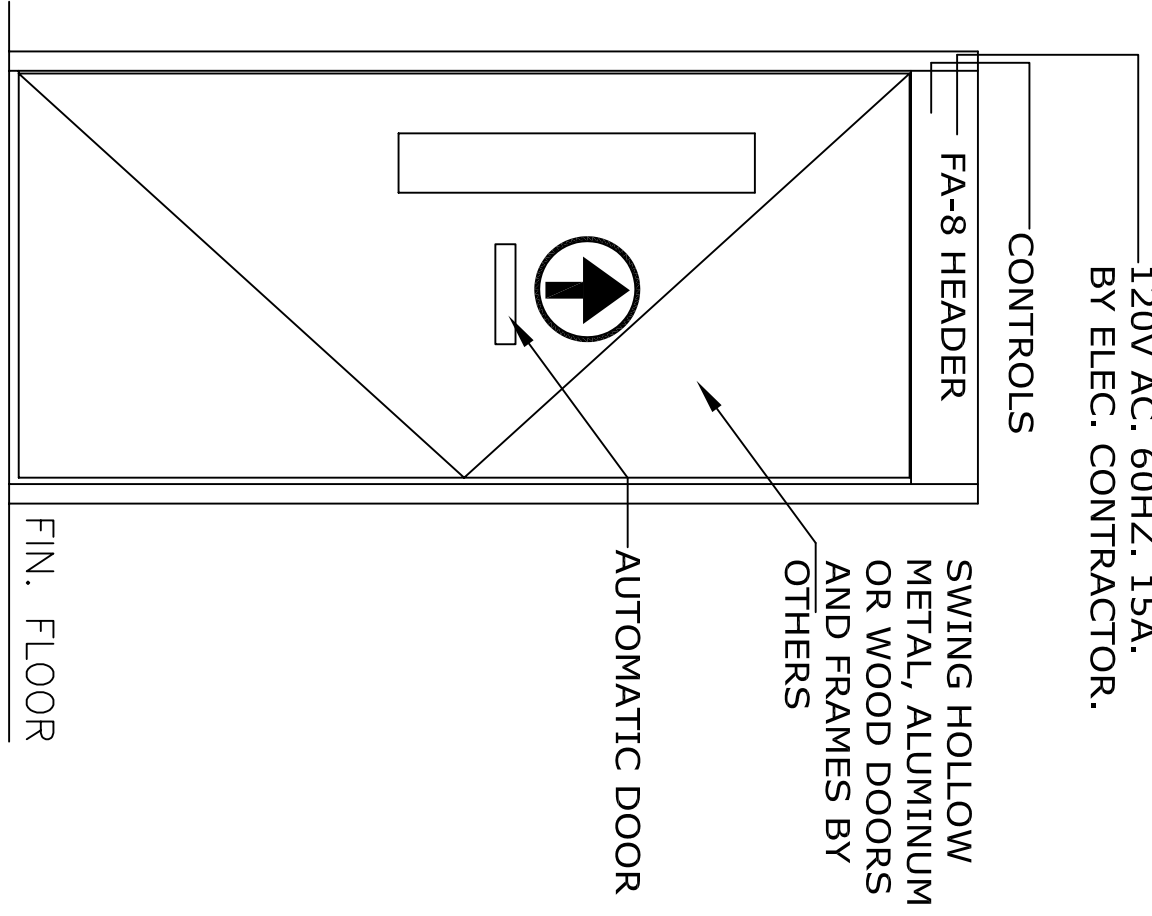
CONTROLS

SWING HOLLOW METAL, ALUMINUM OR WOOD DOORS AND FRAMES BY OTHERS

AUTOMATIC DOOR

FIN. FLOOR

ELEVATION



NOTE:
 HUNTER ACCESS TECHNOLOGIES INC. RESERVES THE RIGHT TO CHANGE & IMPROVE IT'S PRODUCTS & SPECIFICATIONS WITHOUT NOTICE.

125 KENYON DRIVE
 SUITE #3
 LAKEWOOD, NJ 08701
 TEL: 732-942-8099
 FAX: 732-942-6033
 www.hunteraccesstechnologies.com

SHEET TITLE:		SHEET NO.	
ARCHITECT:		10	
CONTRACTOR:		SECTION	
SCALE:	DRAWN BY:	DATE:	FA