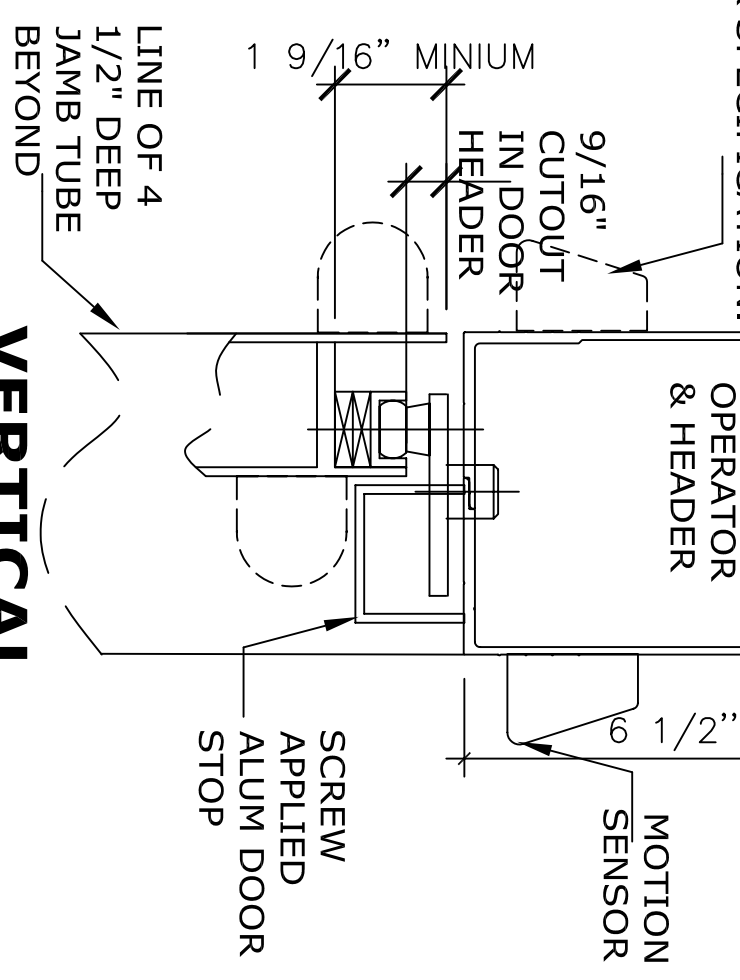


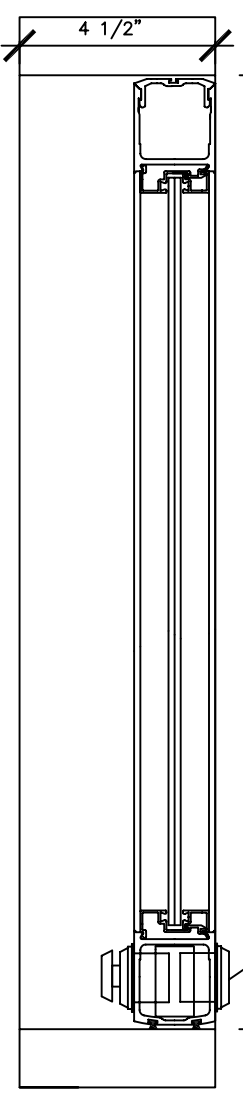
DRYWALL BY OTHERS
 REINFORCEMENT BY OTHERS
 OVERHEAD AND/OR DOOR MOUNTED SAFETY SENSORS AS PER SPECIFICATION.
 4 1/2"



VERTICAL SECTION

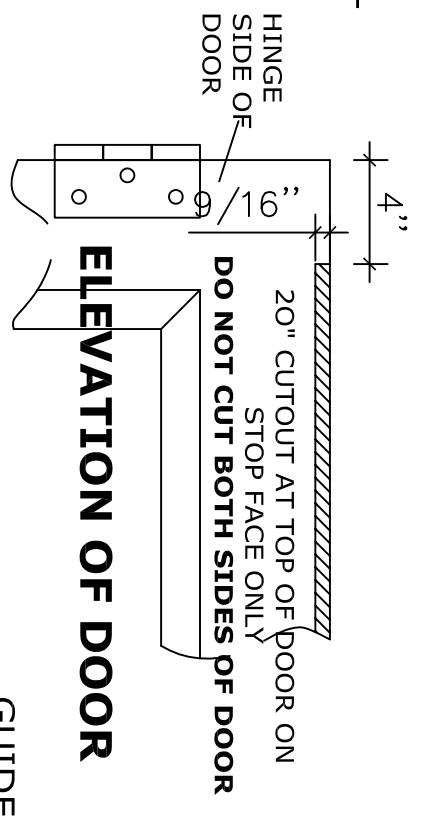
HEADER TO BE SIZE OF FRAME OPENING

LOCK CYLINDER

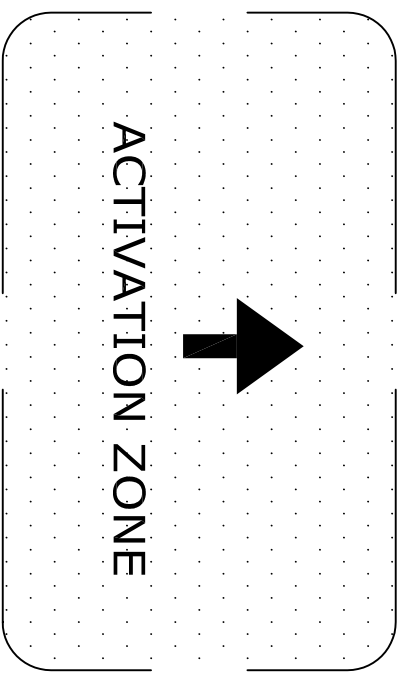
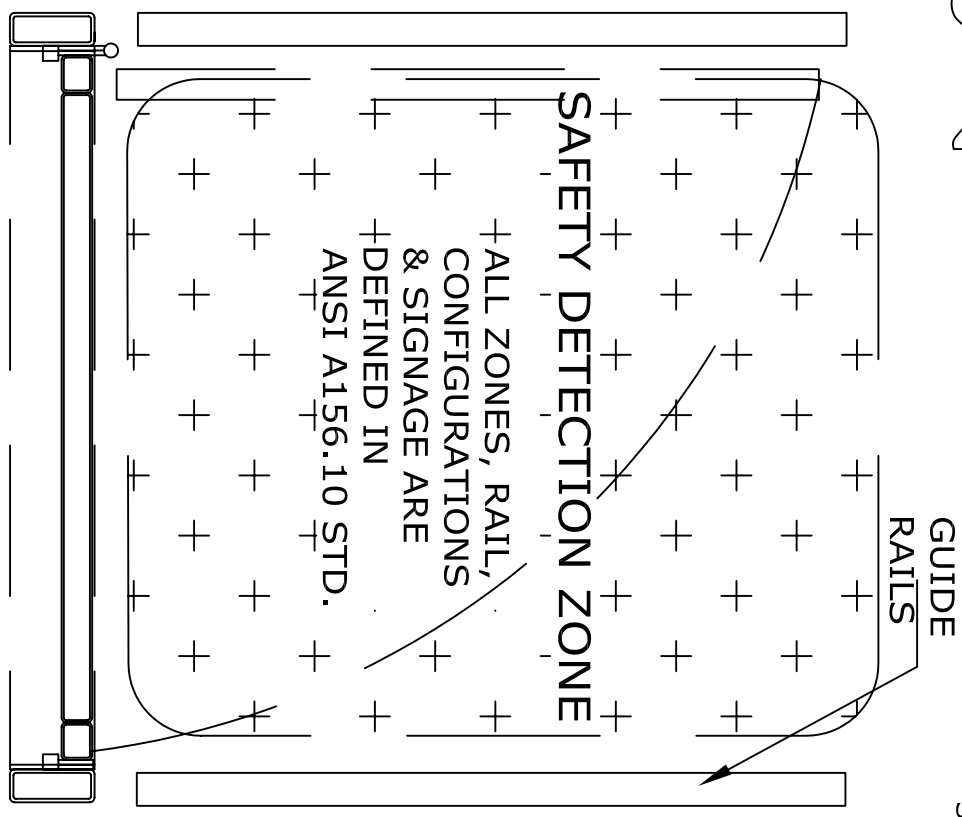


APPROACH SIDE

HORIZONTAL SECTION



ELEVATION OF DOOR

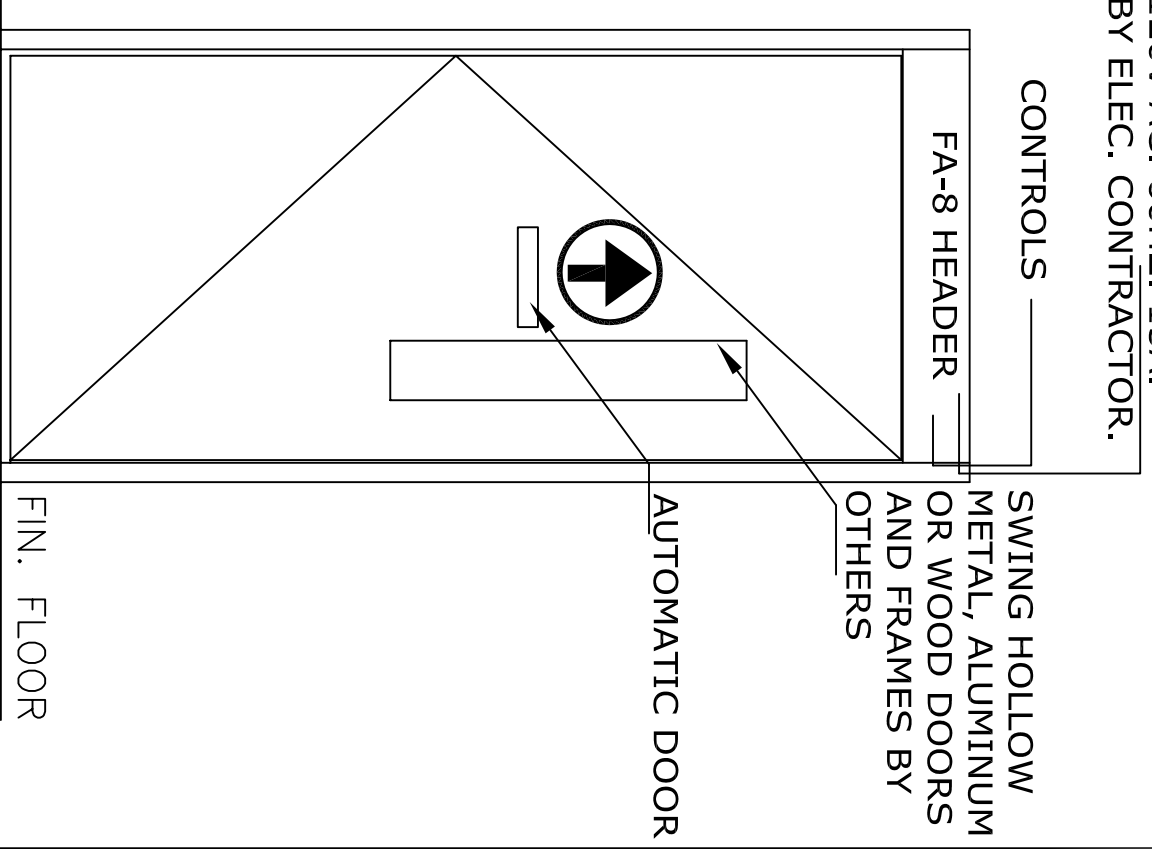


PLAN

APPLICATION:
 FA-8-CS-4 FULLY AUTOMATIC LEFT HAND BUTT HUNG/OFFSET PIVOT.

NOTE:
 AUTOMATIC SWING DOOR OPERATOR SHALL BE "FA-8" CETL USA APPROVED, CONFORMING TO UL STD. 325 & ANSI-BHMA STD. A156.10 CERTIFIED TO CAN. CSA STD. C22.2#247 AS MANUFACTURED BY HUNTER ACCESS TECHNOLOGIES INC.
 COMPLETE DOOR SYSTEM MUST MEET ANSI A156.10 STANDARDS
 STANDARD FINISH: CLEAR ANODIZE, DARK BRONZE, SPECIAL FINISHES ARE AVAILABLE

120V AC. 60HZ. 15A.
 BY ELEC. CONTRACTOR.



ELEVATION

SHEET TITLE:		SHEET NO.	
ARCHITECT:		11	
CONTRACTOR:		SECTION	
SCALE:	DRAWN BY:	DATE:	FA

NOTE:
 HUNTER ACCESS TECHNOLOGIES INC. RESERVES THE RIGHT TO CHANGE & IMPROVE ITS PRODUCTS & SPECIFICATIONS WITHOUT NOTICE.

Hunter
 ACCESS TECHNOLOGIES INC.
 125 KENYON DRIVE
 SUITE #3
 LAKEWOOD, NJ 08701
 TEL: 732-942-6099
 FAX: 732-942-6033
 www.hunteraccesstechnologies.com