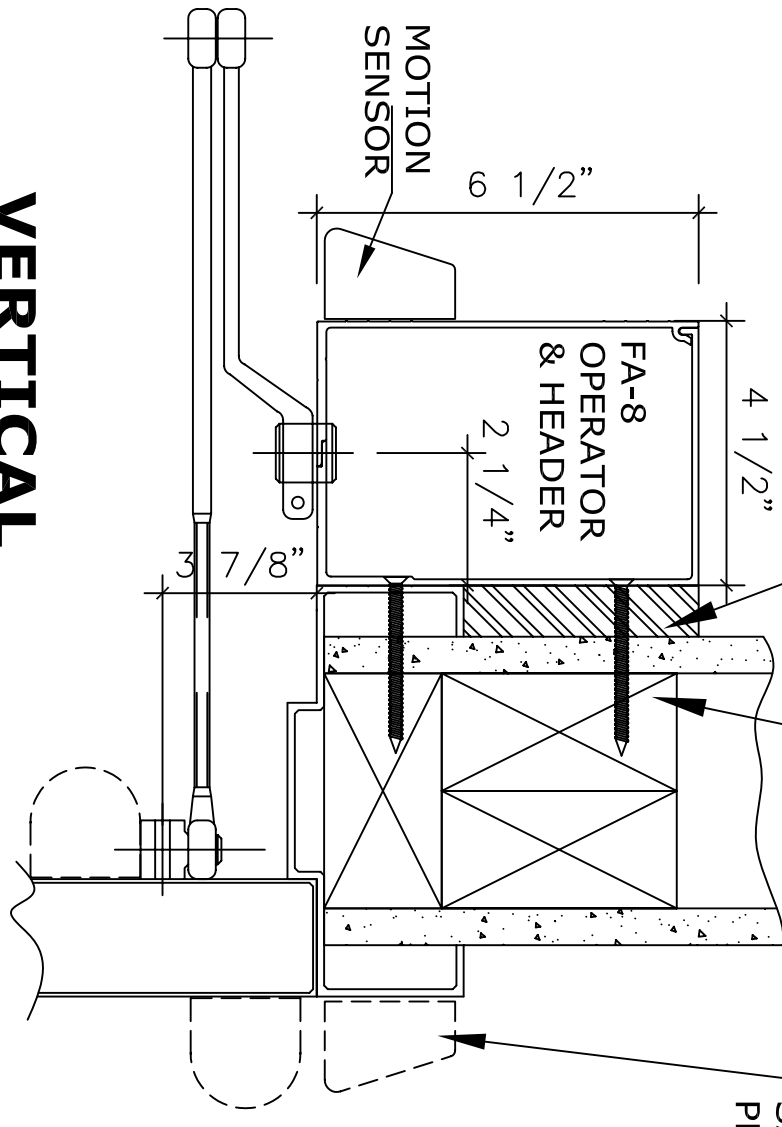


FILLER PLATE
AS REQUIRED.
BY OTHERS

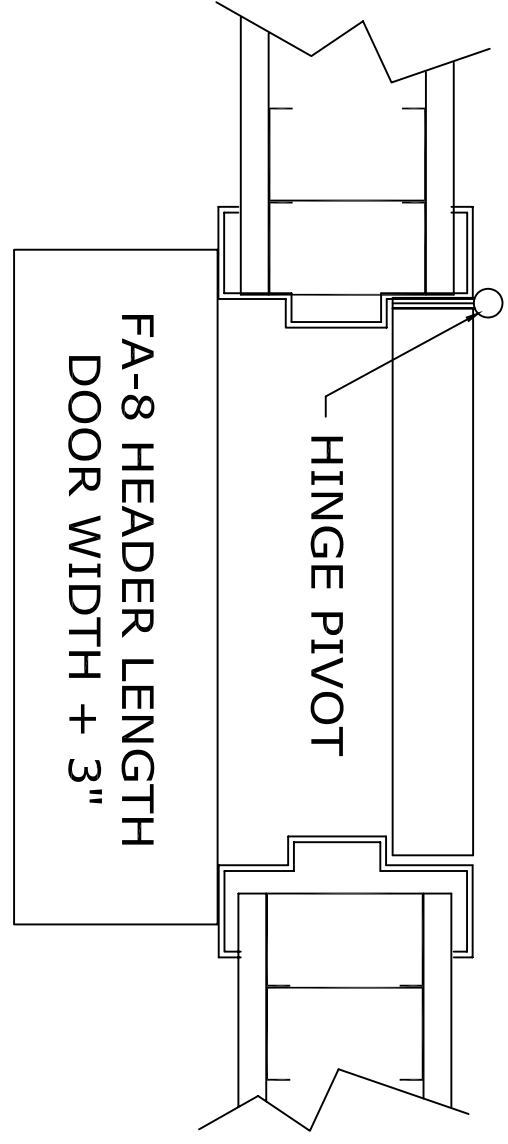
REINFORCEMENT
BY OTHERS

OVERHEAD AND/OR
DOOR MOUNTED
SAFETY SENSORS AS
PER SPECIFICATION.

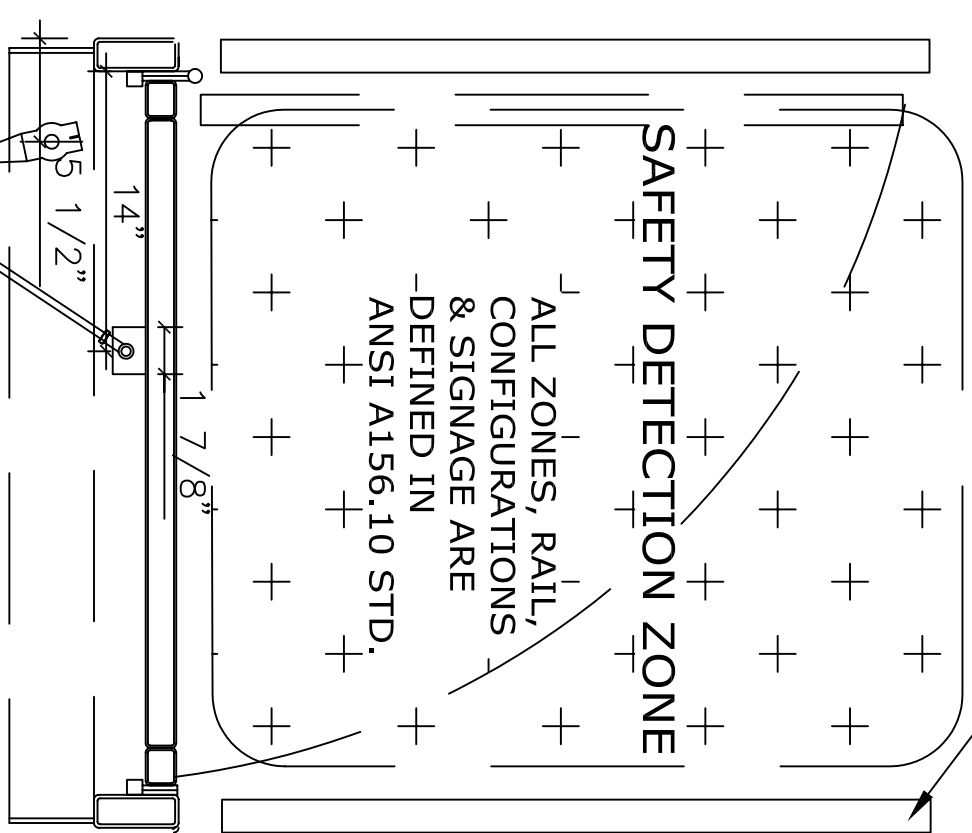
GUIDE
RAILS



VERTICAL SECTION



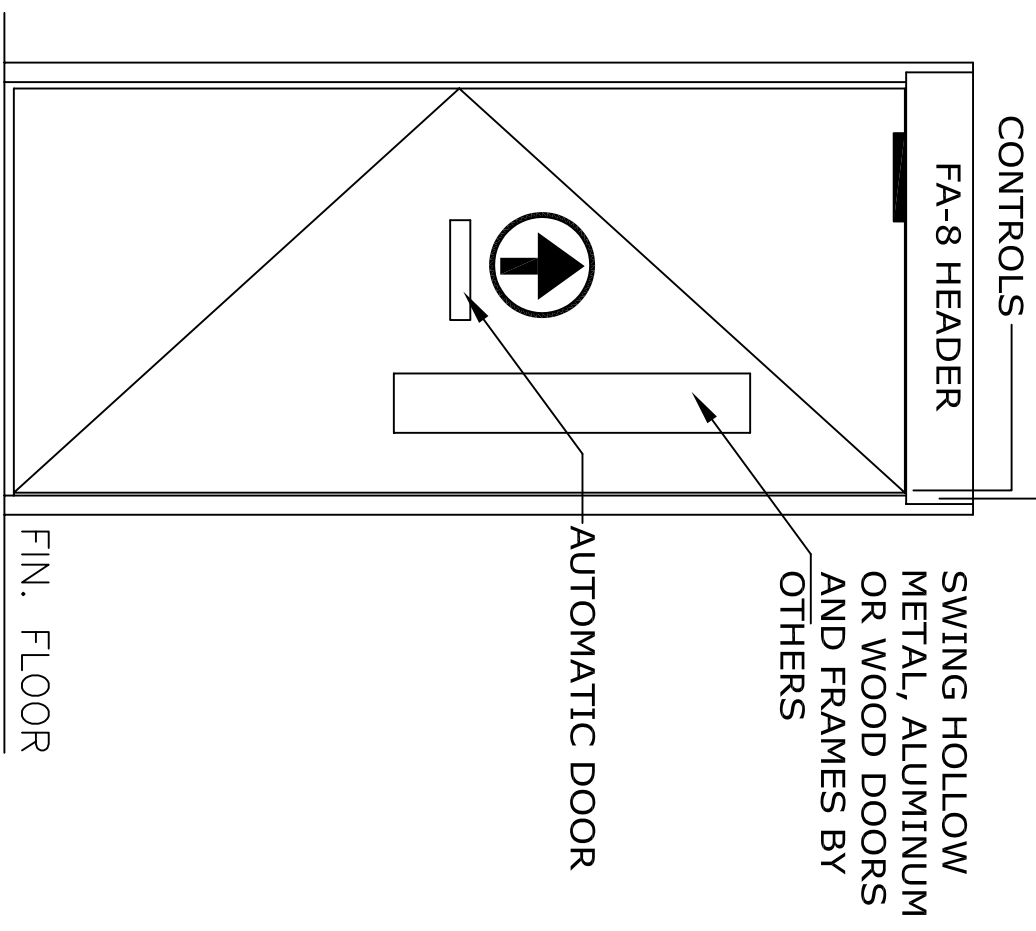
HORIZONTAL SECTION



APPLICATION:
FA-8-1-4 FULLY AUTOMATIC
LEFT HAND PUSH.

NOTE:
AUTOMATIC SWING DOOR OPERATOR SHALL BE "FA-8" CETL USA APPROVED, CONFORMING TO UL STD. 325 & ANSI-BHMA STD. A156.10 CERTIFIED TO CAN. CSA STD. C22.2#247 AS MANUFACTURED BY HUNTER ACCESS TECHNOLOGIES INC.
COMPLETE DOOR SYSTEM MUST MEET ANSI A156.10 STANDARDS
STANDARD FINISH: CLEAR ANODIZE, DARK BRONZE,
SPECIAL FINISHES ARE AVAILABLE

120V AC. 60HZ. 15A.
BY ELEC. CONTRACTOR.



ELEVATION

125 KENYON DRIVE
SUITE #3
LAKEWOOD, NJ 08701
TEL: 732-942-6099
FAX: 732-942-6033
www.hunteraccesstechnologies.com

NOTE:
HUNTER ACCESS TECHNOLOGIES INC. RESERVES
THE RIGHT TO CHANGE & IMPROVE IT'S
PRODUCTS & SPECIFICATIONS WITHOUT NOTICE.

SHEET TITLE:		SHEET NO.	
ARCHITECT:		2	
CONTRACTOR:		SECTION	
SCALE:	DRAWN BY:	DATE:	FA