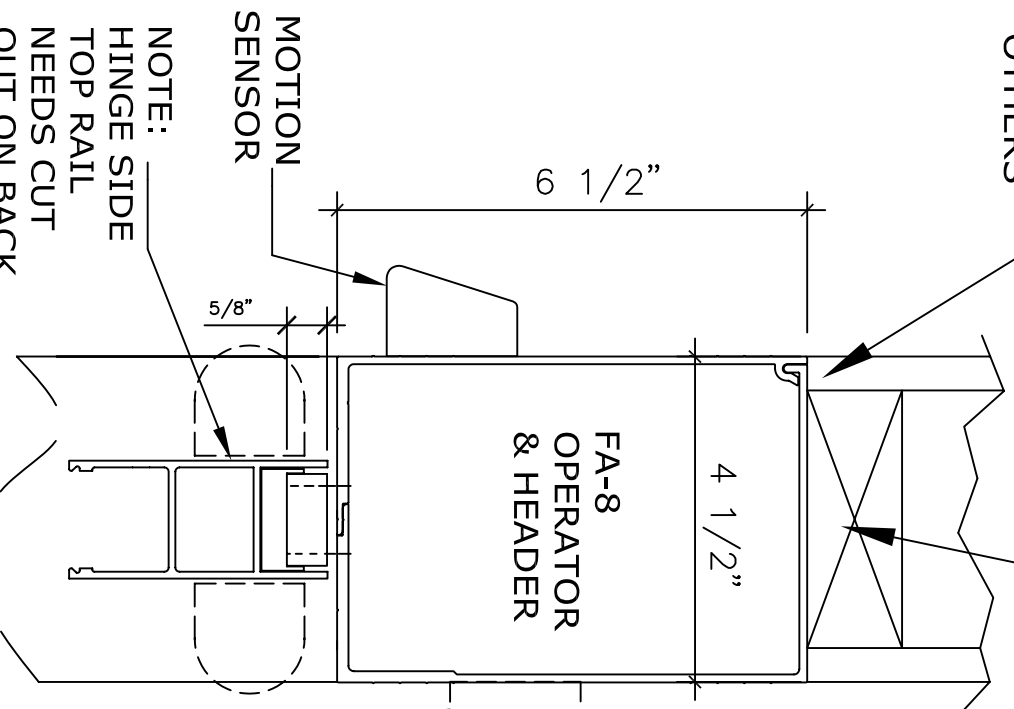


DRYWALL BY OTHERS

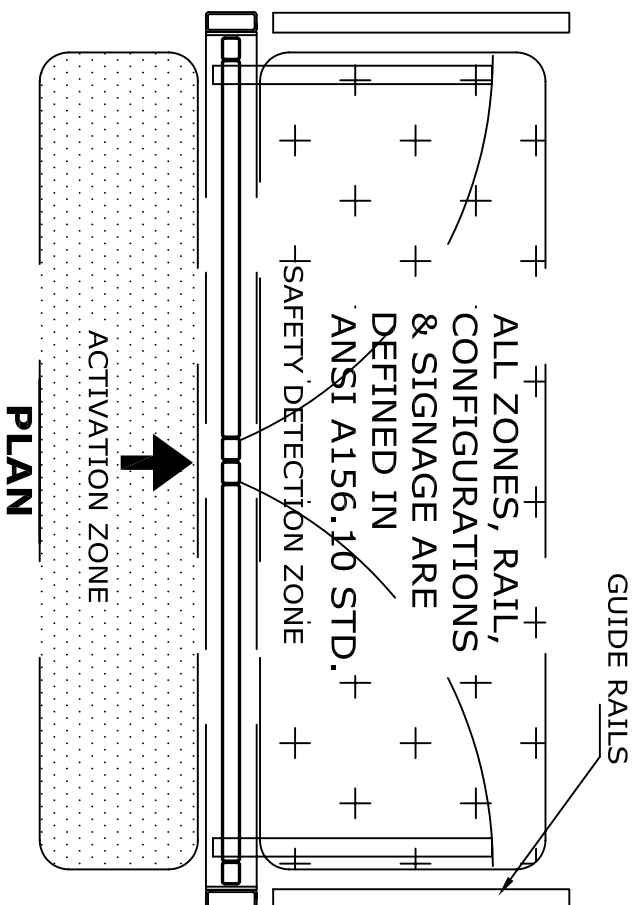
REINFORCEMENT BY OTHERS



NOTE:  
HINGE SIDE TOP RAIL NEEDS CUT OUT ON BACK OF DOOR FOR OPERATOR ARM (MIN 1 5/8" X DEPTH OF WEB)

## VERTICAL SECTION

OVERHEAD AND/OR DOOR MOUNTED SAFETY SENSORS AS PER SPECIFICATION.



## PLAN

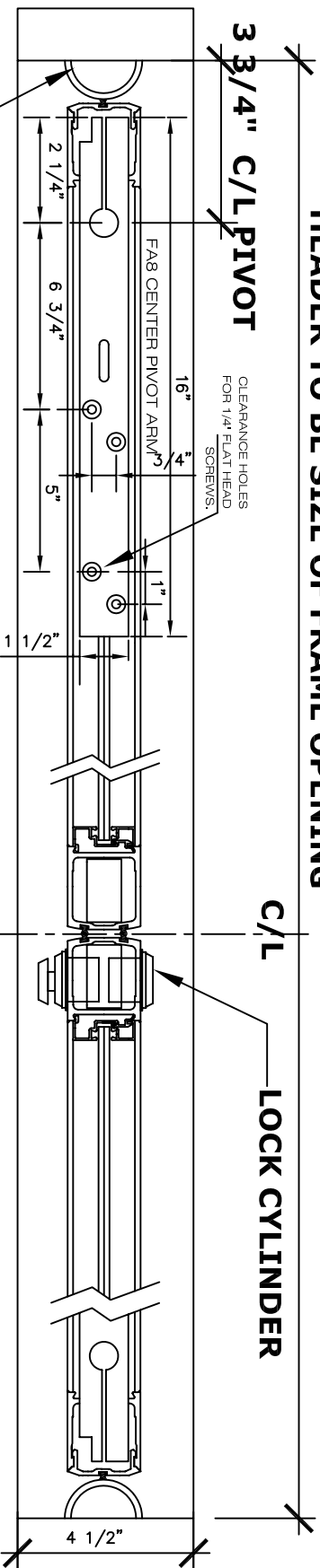
NOTE:  
AUTOMATIC SWING DOOR OPERATOR SHALL BE "FA-8" CETL USA APPROVED, CONFORMING TO UL STD. 325 & ANSI-BHMA STD. A156.10 CERTIFIED TO CAN. CSA STD. C22.2#247 AS MANUFACTURED BY HUNTER ACCESS TECHNOLOGIES INC. COMPLETE DOOR SYSTEM MUST MEET ANSI A156.10 STANDARDS

STANDARD FINISH: CLEAR ANODIZE, DARK BRONZE, SPECIAL FINISHES ARE AVAILABLE

APPLICATION:  
FA-8-CH-5 FULLY AUTOMATIC PAIR DOORS CENTER PIVOT.

120V AC. 60HZ. 15A.  
BY ELEC. CONTRACTOR.

HEADER TO BE SIZE OF FRAME OPENING



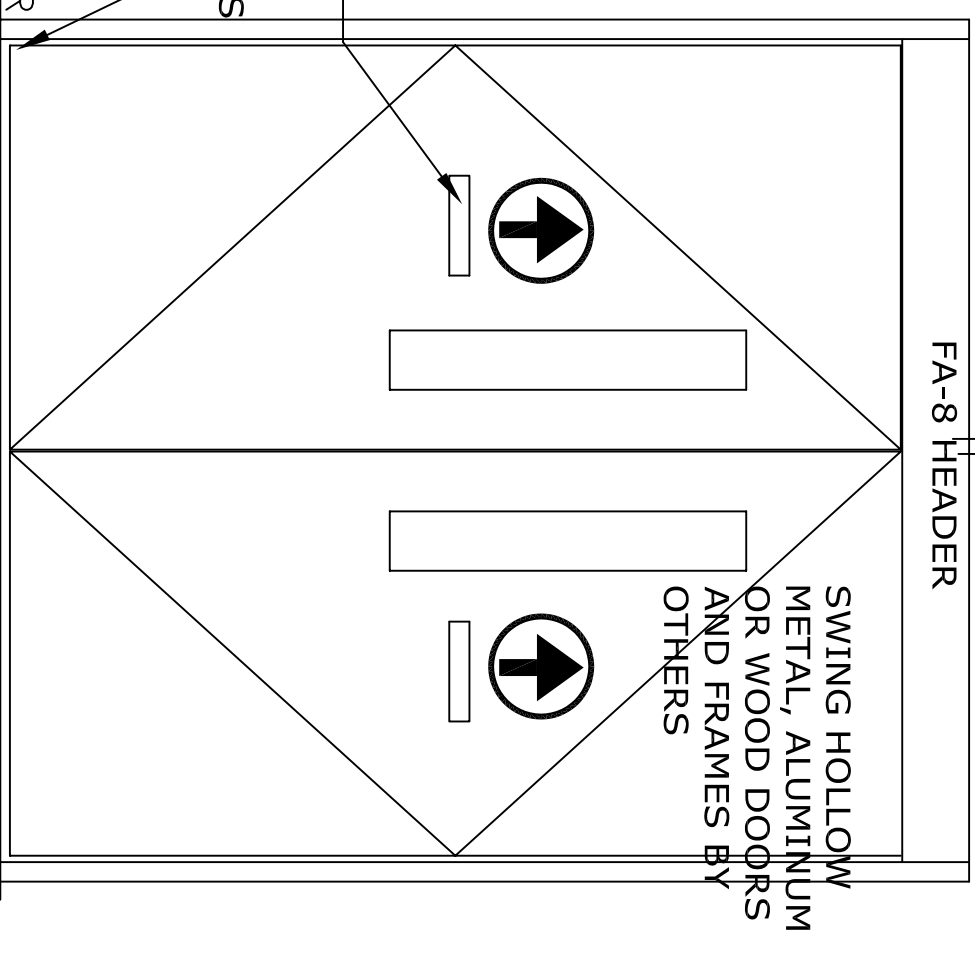
## HORIZONTAL SECTION

APPROACH SIDE

BOTTOM PIVOTS BY OTHERS

FIN. FLOOR

AUTOMATIC DOOR



## ELEVATION

NOTE:  
HUNTER ACCESS TECHNOLOGIES INC. RESERVES THE RIGHT TO CHANGE & IMPROVE ITS PRODUCTS & SPECIFICATIONS WITHOUT NOTICE.



125 KENYON DRIVE  
SHEFFERS NO.  
LAKEWOOD, NJ 08701  
TEL: 732-942-6099  
FAX: 732-942-6033  
www.hunteraccesstechnologies.com

SHEET TITLE:

ARCHITECT:

CONTRACTOR:

SCALE:

DRAWN BY:

DATE:

SHEET NO.

9

SECTION

FA