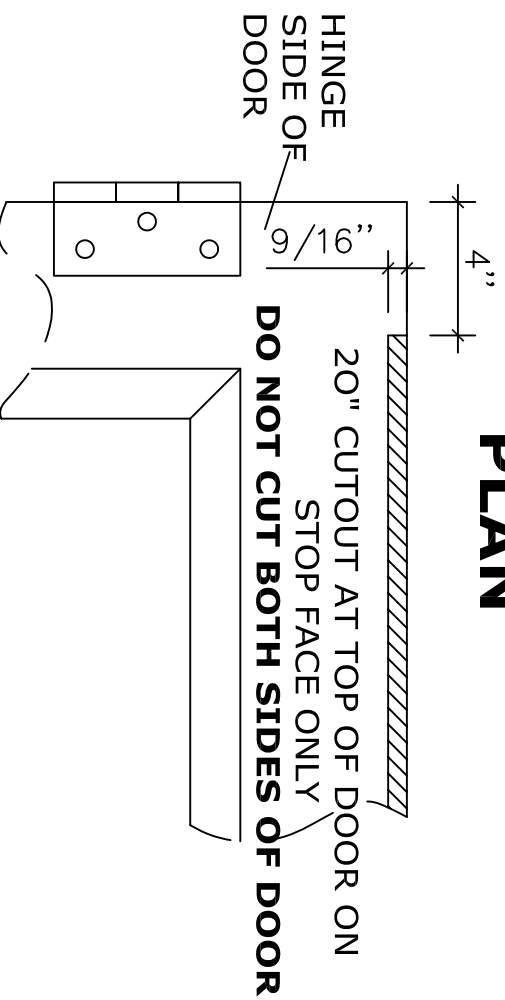
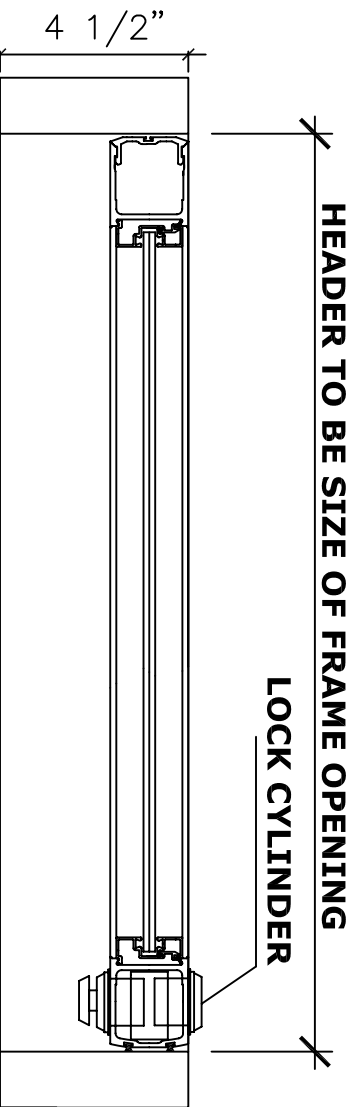


INTERIOR
PLAN

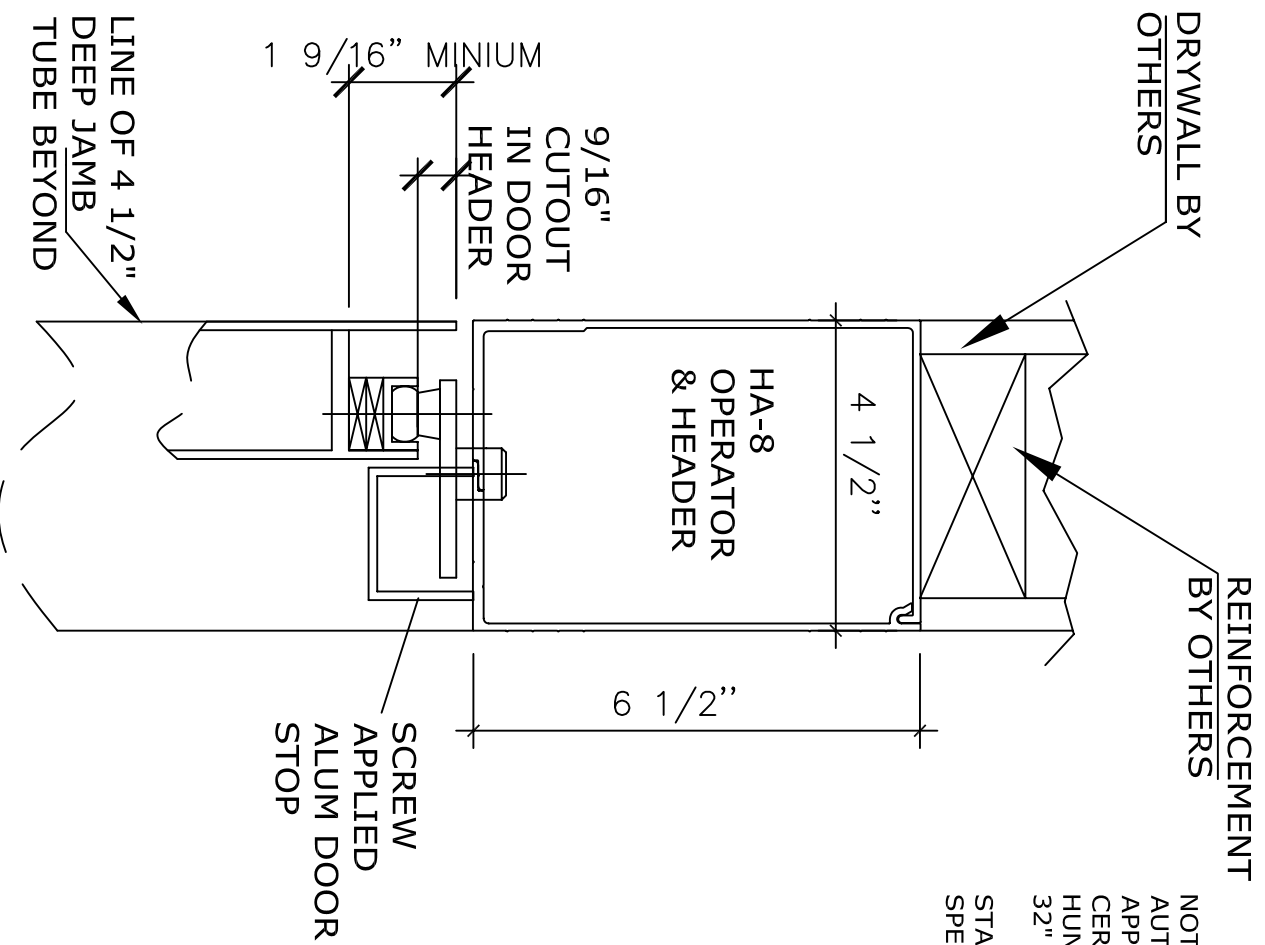


ELEVATION OF DOOR



HORIZONTAL SECTION

NOTE:
HUNTER ACCESS TECHNOLOGIES INC. RESERVES THE RIGHT TO CHANGE & IMPROVE IT'S PRODUCTS & SPECIFICATIONS WITHOUT NOTICE.



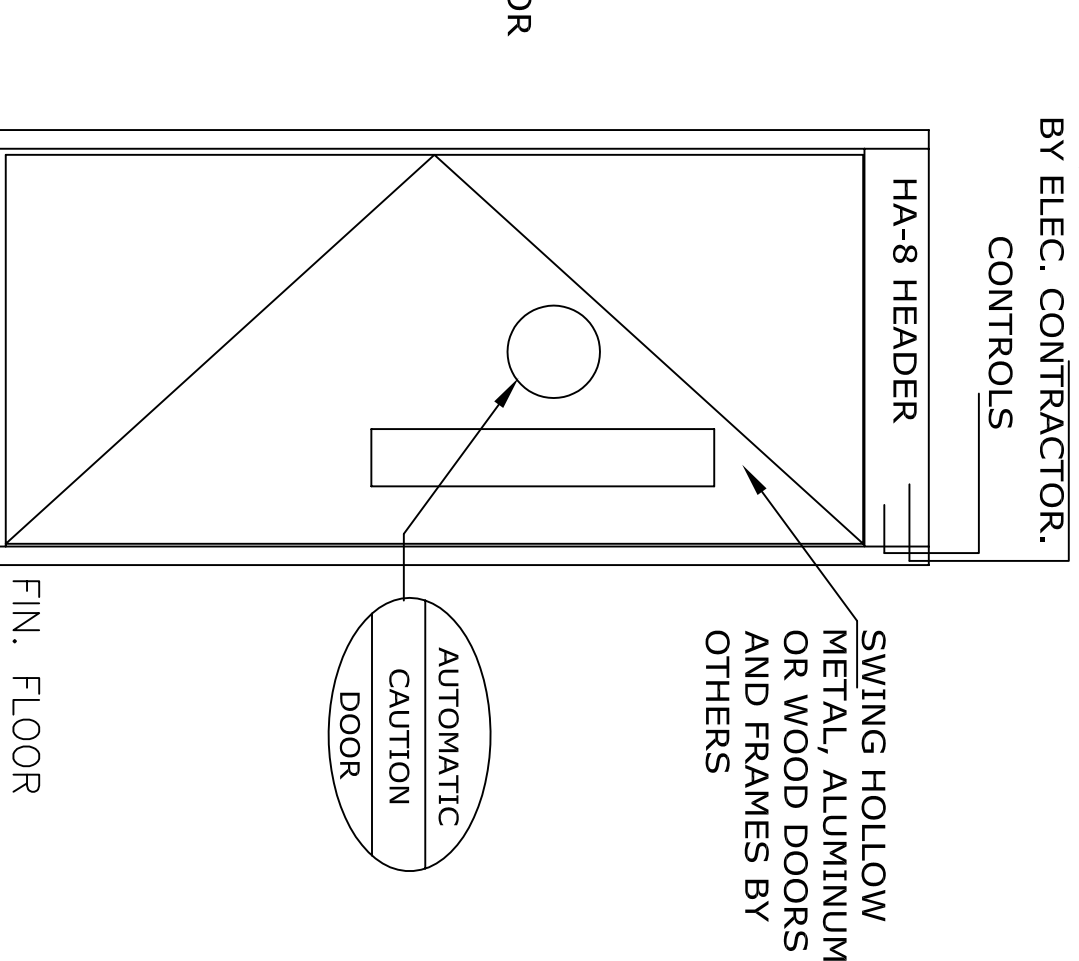
VERTICAL SECTION

APPLICATION:
HA-8-CS-4 LOW ENERGY OPERATOR LEFT HAND BUTT HUNG/OFFSET PIVOT.

NOTE:
AUTOMATIC SWING DOOR OPERATOR SHALL BE "HA-8" CETL USA APPROVED, CONFORMING TO UL STD. 325 & ANSI-BHMA STD. A156.19 CERTIFIED TO CAN. CSA STD. C22.2#247 AS MANUFACTURED BY HUNTER ACCESS TECHNOLOGIES INC.
32" CLEAR OPENING REQUIRED TO MEET ADA REQUIREMENT.

STANDARD FINISH: CLEAR ANODIZE, DARK BRONZE,
SPECIAL FINISHES ARE AVAILABLE

120V AC. 60HZ. 15A.
BY ELEC. CONTRACTOR.



ELEVATION



125 KENYON DRIVE
SUITE #3
LAKEWOOD, NJ 08701
TEL: 732-942-6099
FAX: 732-942-6033
www.hunteraccesstechnologies.com

SHEET TITLE:	SHEET NO.
ARCHITECT:	11
CONTRACTOR:	SECTION
SCALE:	HA
DRAWN BY:	
DATE:	