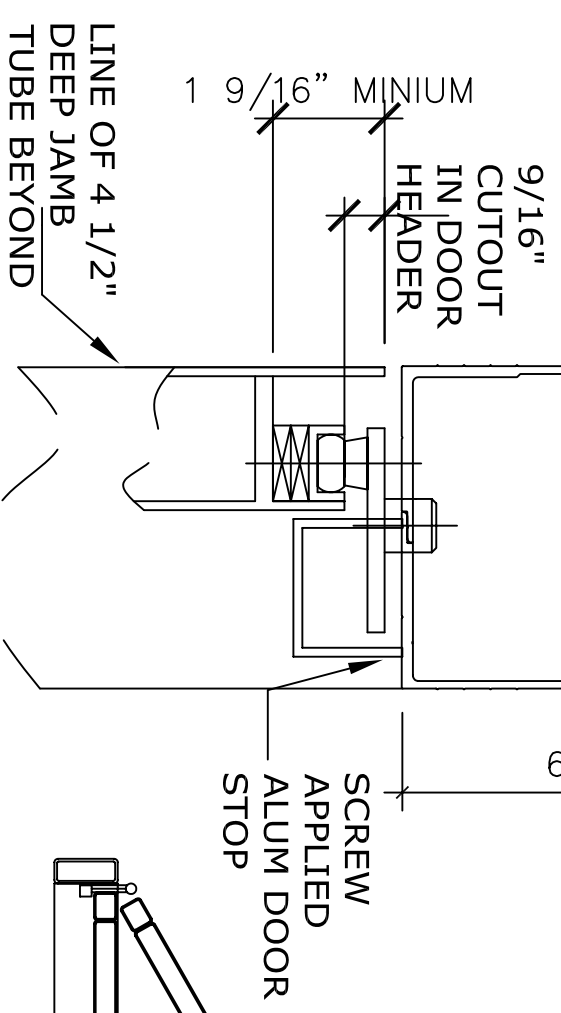


**APPLICATION:**  
 HA-8-CS-5 LOW ENERGY OPERATOR  
 PAIR DOORS BUTT HUNG/OFFSET PIVOT.

**NOTE:**  
 AUTOMATIC SWING DOOR OPERATOR SHALL BE "HA-8" CETL USA APPROVED, CONFORMING TO UL STD. 325 & ANSI-BHMA STD. A156.19 CERTIFIED TO CAN. CSA STD. C22.2#247 AS MANUFACTURED BY HUNTER ACCESS TECHNOLOGIES INC.  
 32" CLEAR OPENING REQUIRED TO MEET ADA REQUIREMENT.

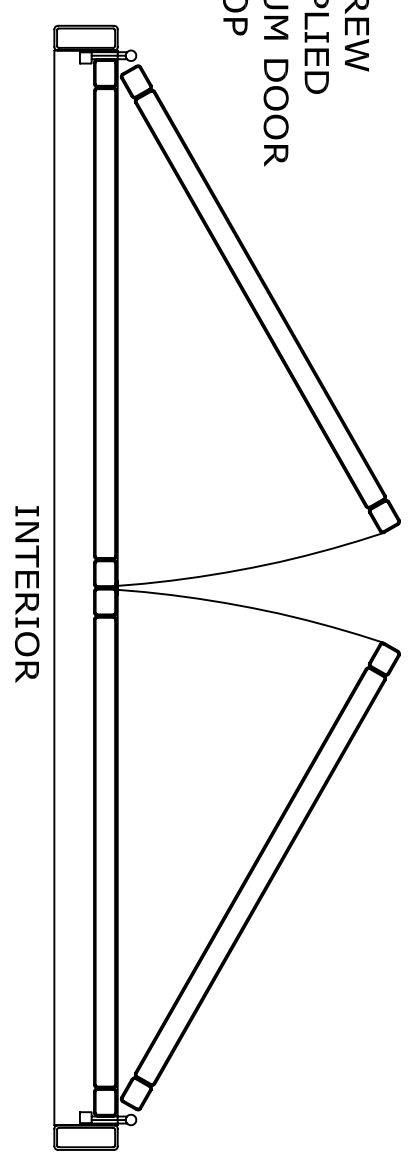
STANDARD FINISH: CLEAR ANODIZE, DARK BRONZE,  
 SPECIAL FINISHES ARE AVAILABLE

120V AC. 60HZ. 15A.  
 BY ELEC. CONTRACTOR.

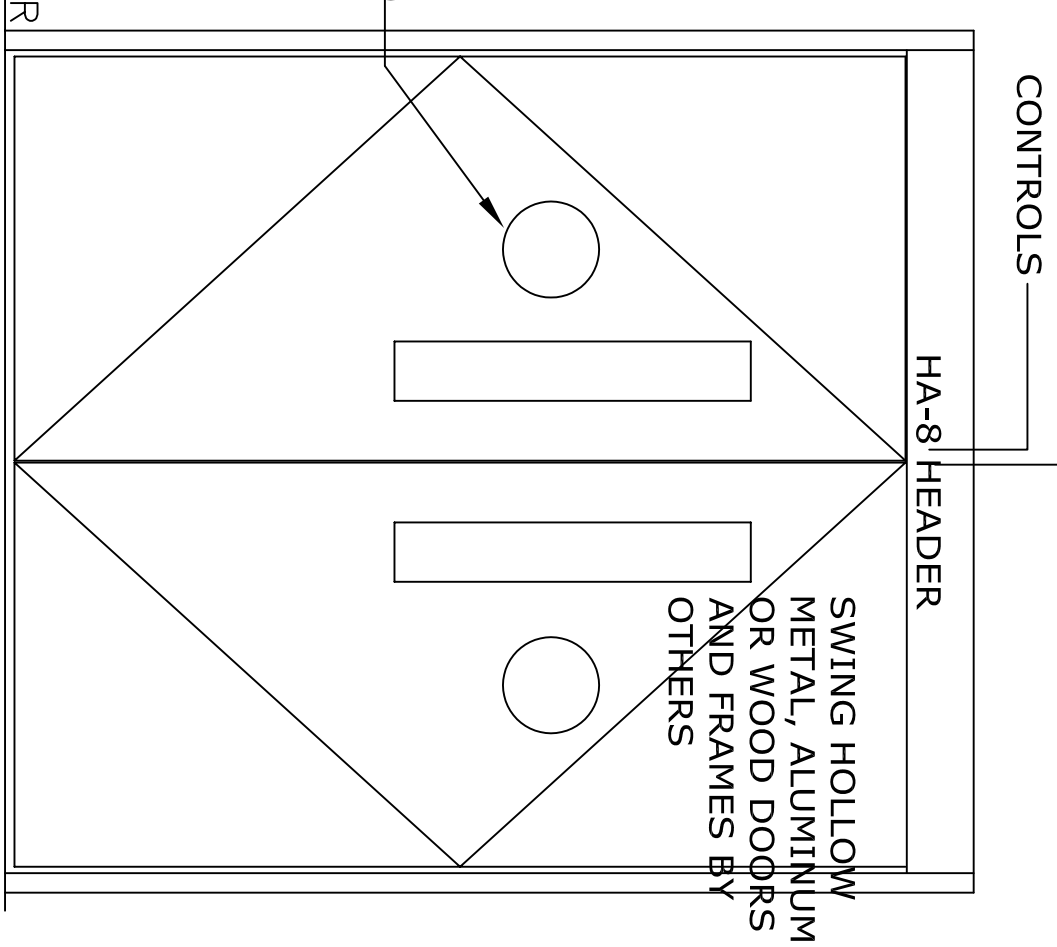


**VERTICAL SECTION**

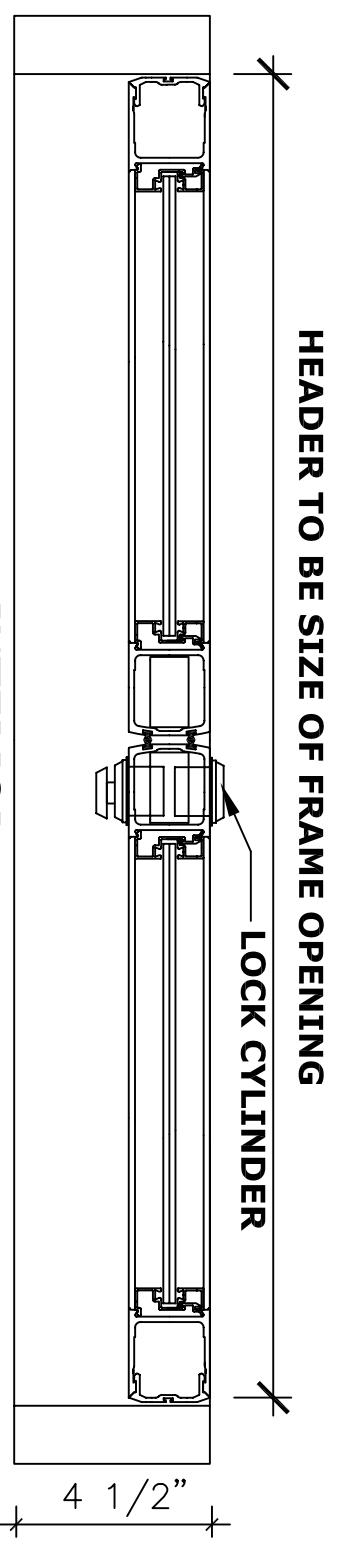
**INTERIOR PLAN**



AUTOMATIC  
 CAUTION  
 DOOR



**ELEVATION**



**HORIZONTAL SECTION**

**NOTE:**  
 HUNTER ACCESS TECHNOLOGIES INC. RESERVES THE RIGHT TO CHANGE & IMPROVE ITS PRODUCTS & SPECIFICATIONS WITHOUT NOTICE.

125 KENYON DRIVE  
 SUITE #3  
 LAKEWOOD, NJ 08701  
 TEL: 732-942-6099  
 FAX: 732-942-6033  
 www.hunteraccesstech.com

SHEET TITLE:		SHEET NO.	
ARCHITECT:		<b>12</b>	
CONTRACTOR:		SECTION	
SCALE:	DRAWN BY:	DATE:	<b>HA</b>