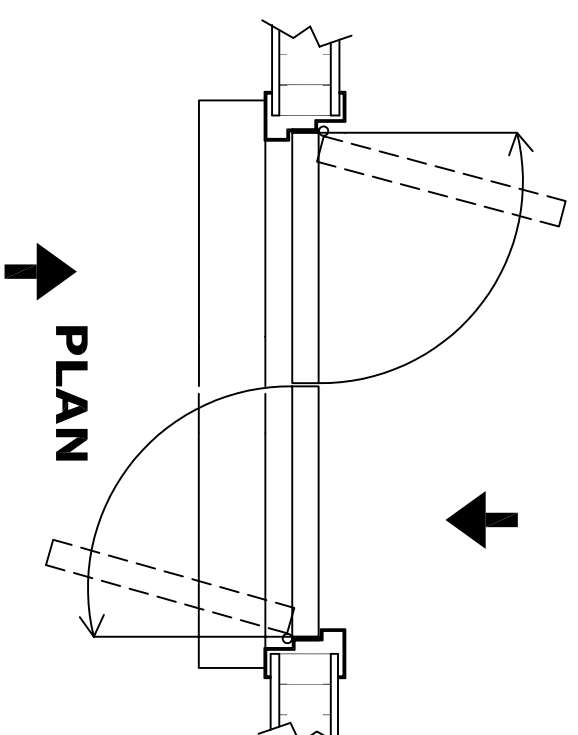


APPLICATION:
 HA-8-DE-4 LOW ENERGY OPERATOR
 DUAL EGRESS LEFT HAND.

NOTE:
 AUTOMATIC SWING DOOR OPERATOR SHALL BE "HA-8" CETL USA APPROVED, CONFORMING TO UL STD. 325 & ANSI-BHMA STD. A156.19 CERTIFIED TO CAN. CSA STD. C22.2#247 AS MANUFACTURED BY HUNTER ACCESS TECHNOLOGIES INC.
 32" CLEAR OPENING REQUIRED TO MEET ADA REQUIREMENT.

STANDARD FINISH: CLEAR ANODIZE, DARK BRONZE,
 SPECIAL FINISHES ARE AVAILABLE

120V AC, 60HZ, 15A.
 BY ELEC. CONTRACTOR.



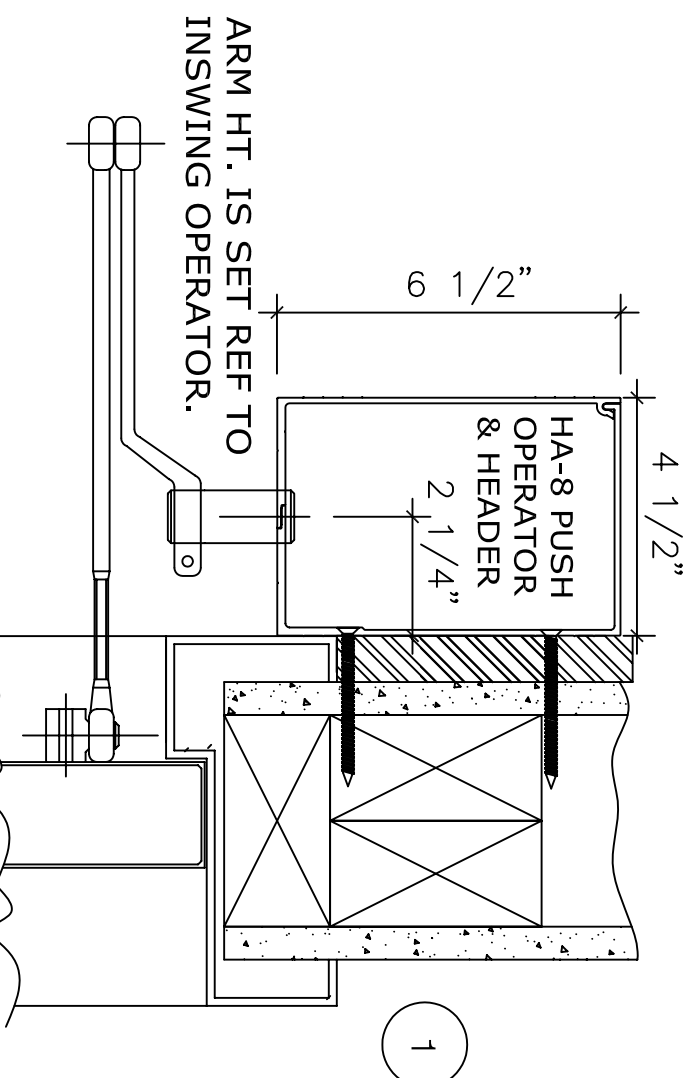
1 CONTROLS
 HA-8 DUAL EGRESS HEADER
 2

AUTOMATIC
 CAUTION
 DOOR

SWING HOLLOW
 METAL, ALUMINUM
 OR WOOD DOORS
 AND FRAMES BY
 OTHERS

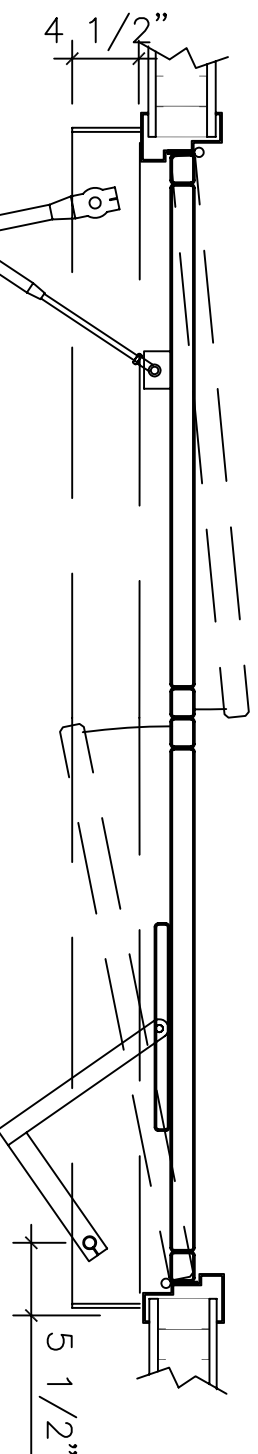
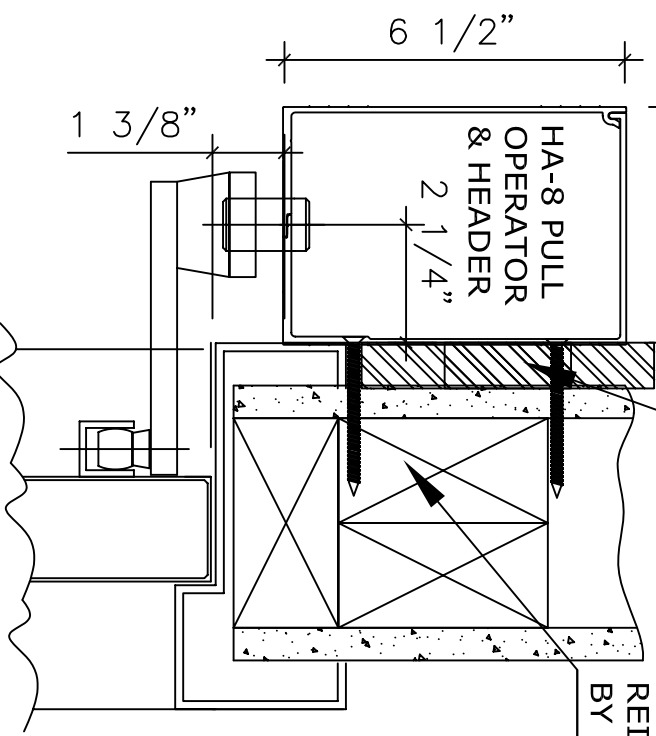
FIN. FLOOR

ELEVATION



FILLER PLATE AS
 REQUIRED BY OTHERS

REINFORCEMENT
 BY OTHERS



VERTICAL SECTION

HORIZONTAL SECTION

NOTE:
 HUNTER ACCESS TECHNOLOGIES INC. RESERVES
 THE RIGHT TO CHANGE & IMPROVE ITS
 PRODUCTS & SPECIFICATIONS WITHOUT NOTICE.

Hunter
 ACCESS TECHNOLOGIES INC.

125 KENYON DRIVE
 SUITE #3
 LAKEWOOD, NJ 08701
 TEL: 732-942-6099
 FAX: 732-942-6033
 www.hunteraccess technologies.com

SHEET TITLE:		SHEET NO.	
ARCHITECT:		14	
CONTRACTOR:		SECTION	
SCALE:	DRAWN BY:	DATE:	HA