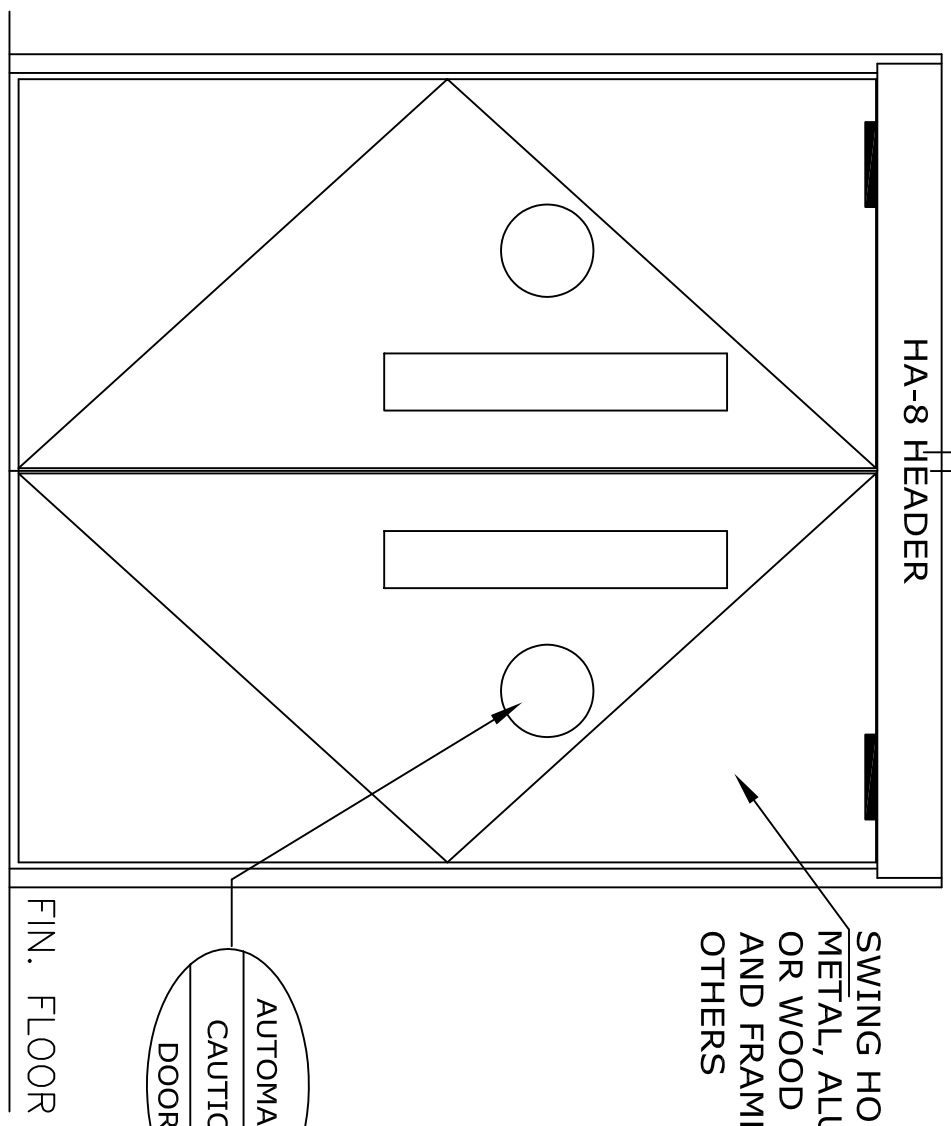
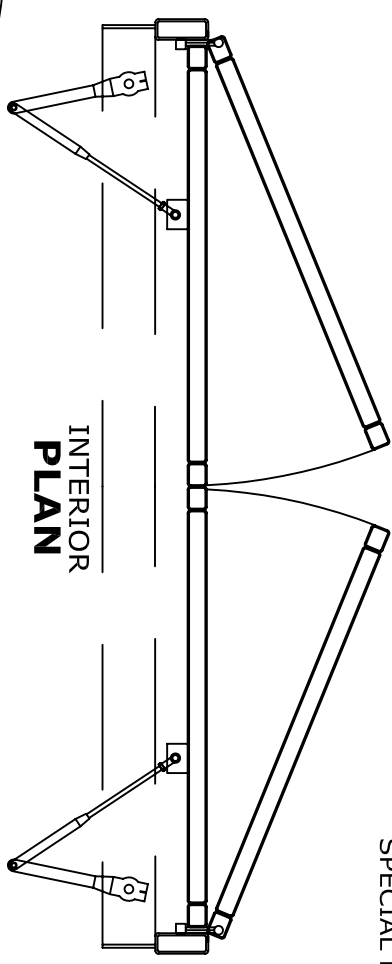


120V AC, 60HZ, 15A,
BY ELEC. CONTRACTOR.



SWING HOLLOW
METAL, ALUMINUM
OR WOOD DOORS
AND FRAMES BY
OTHERS

AUTOMATIC
CAUTION
DOOR

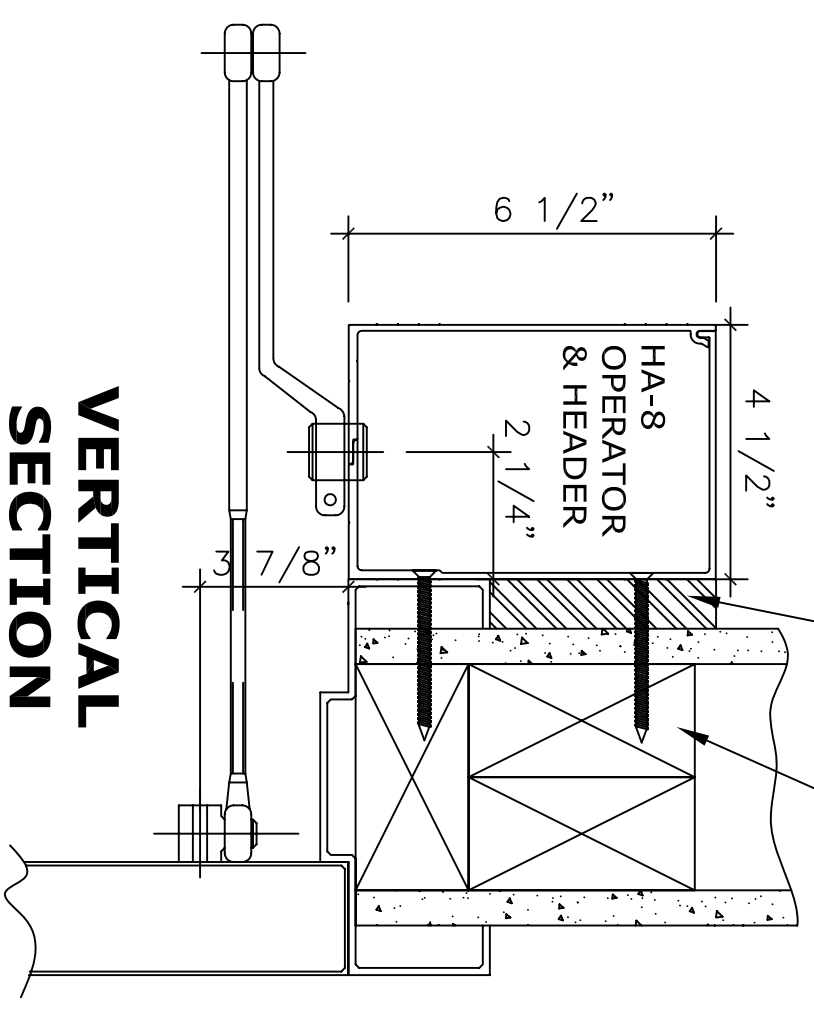


INTERIOR
PLAN

APPLICATION:
HA-8-1-5 LOW ENERGY OPERATOR
PAIR DOORS PUSH.

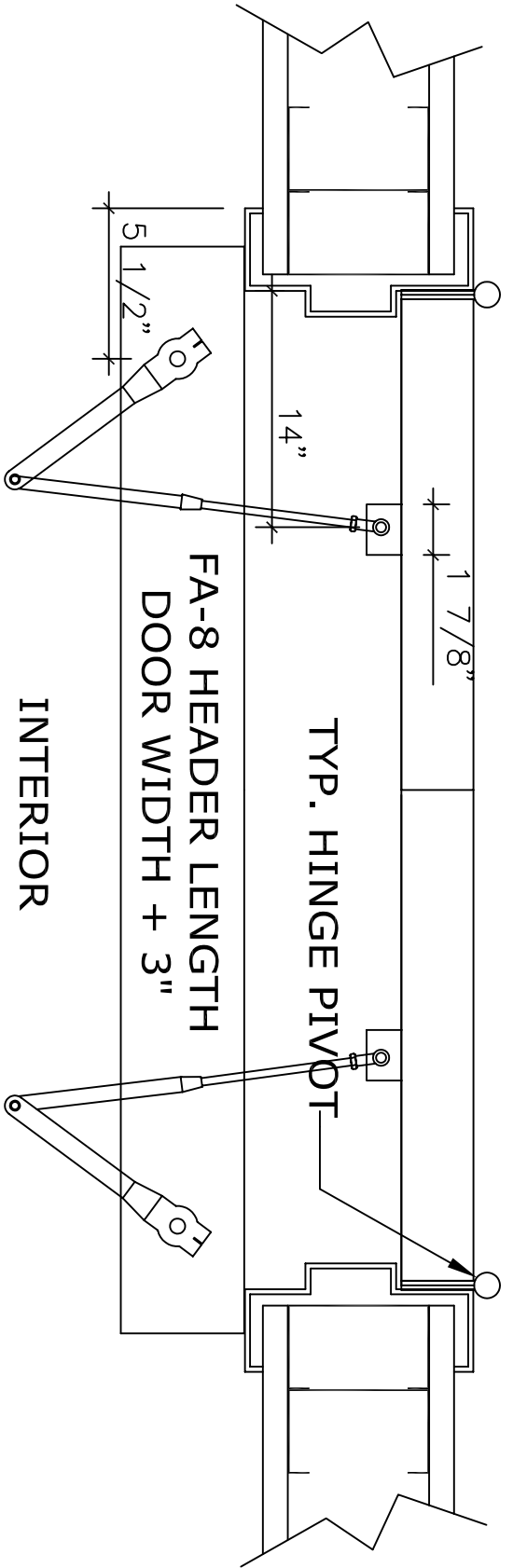
NOTE:
AUTOMATIC SWING DOOR OPERATOR SHALL BE "HA-8" CETL USA
APPROVED, CONFORMING TO UL STD. 325 & ANSI-BHMA STD. A156.19
CERTIFIED TO CAN. CSA STD. C22.2#247 AS MANUFACTURED BY
HUNTER ACCESS TECHNOLOGIES INC.
32" CLEAR OPENING REQUIRED TO MEET ADA REQUIREMENT.
STANDARD FINISH: CLEAR ANODIZE, DARK BRONZE,
SPECIAL FINISHES ARE AVAILABLE

FILLER PLATE AS
REQUIRED BY OTHERS
REINFORCEMENT
BY OTHERS



VERTICAL
SECTION

ELEVATION



INTERIOR
FA-8 HEADER LENGTH
DOOR WIDTH + 3"
TYP. HINGE PIVOT

HORIZONTAL SECTION

NOTE:
HUNTER ACCESS TECHNOLOGIES INC. RESERVES
THE RIGHT TO CHANGE & IMPROVE IT'S
PRODUCTS & SPECIFICATIONS WITHOUT NOTICE.



125 KENYON DRIVE
SUITE #3
LAKEWOOD, NJ 08701
TEL. 732-942-6099
FAX: 732-942-6033
www.hunteraccesstechnologies.com

SHEET TITLE:		SHEET NO.	
ARCHITECT:		3	
CONTRACTOR:		SECTION	
SCALE:	DRAWN BY:	DATE:	HA