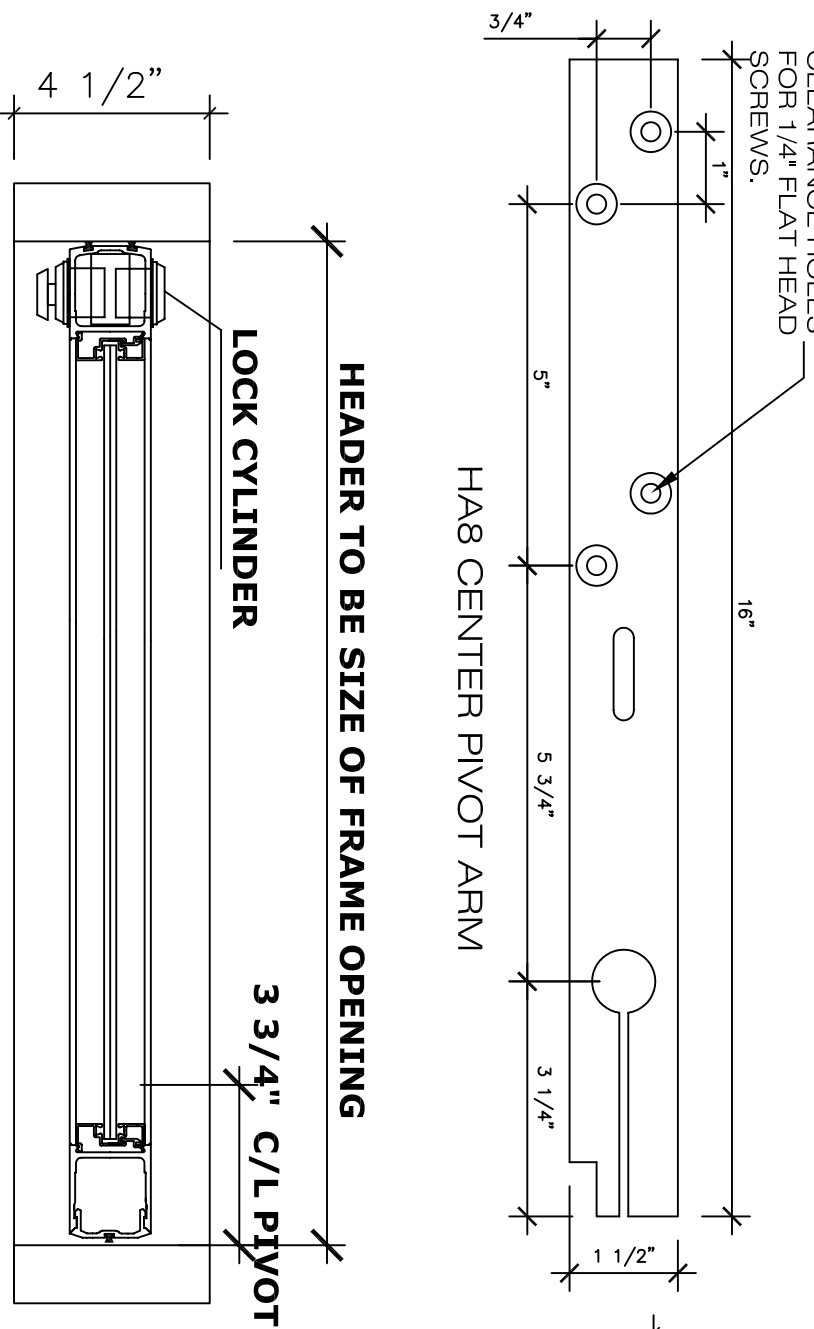
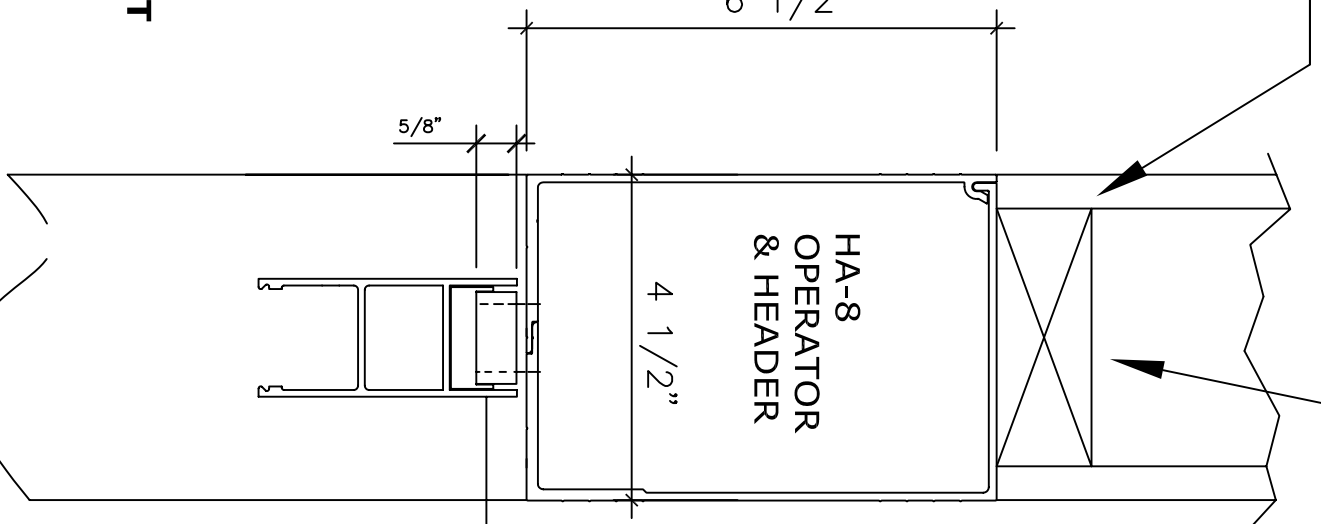


INTERIOR  
**PLAN**



DRYWALL BY OTHERS

REINFORCEMENT BY OTHERS



VERTICAL  
**SECTION**

NOTE:  
HINGE SIDE TOP RAIL NEEDS CUT OUT ON BACK OF DOOR FOR OPERATOR ARM (MIN 1 5/8" X DEPTH OF WEB)

**APPLICATION:**  
HA-8-CH-3 LOW ENERGY OPERATOR RIGHT HAND CENTER PIVOT.

NOTE:  
AUTOMATIC SWING DOOR OPERATOR SHALL BE "HA-8" CETL USA APPROVED, CONFORMING TO UL STD. 325 & ANSI-BHMA STD. A156.19 CERTIFIED TO CAN. CSA STD. C22.2#247 AS MANUFACTURED BY HUNTER ACCESS TECHNOLOGIES INC.  
32" CLEAR OPENING REQUIRED TO MEET ADA REQUIREMENT.

STANDARD FINISH: CLEAR ANODIZE, DARK BRONZE, SPECIAL FINISHES ARE AVAILABLE

120V AC, 60HZ, 15A.  
BY ELEC. CONTRACTOR.

CONTROLS

HA-8 HEADER

SWING HOLLOW METAL, ALUMINUM OR WOOD DOORS AND FRAMES BY OTHERS

AUTOMATIC CAUTION DOOR

BOTTOM PIVOT BY OTHERS

FIN. FLOOR

**ELEVATION**

INTERIOR

**HORIZONTAL SECTION**

NOTE:  
HUNTER ACCESS TECHNOLOGIES INC. RESERVES THE RIGHT TO CHANGE & IMPROVE ITS PRODUCTS & SPECIFICATIONS WITHOUT NOTICE.



125 KENYON DRIVE  
SUITE #3  
LAKEWOOD, NJ 08701  
TEL: 732-942-6099  
FAX: 732-942-6033  
www.hunteraccesstechnologies.com

SHEET TITLE:		SHEET NO.	
ARCHITECT:		7	
CONTRACTOR:		SECTION	
SCALE:	DRAWN BY:	DATE:	<b>HA</b>