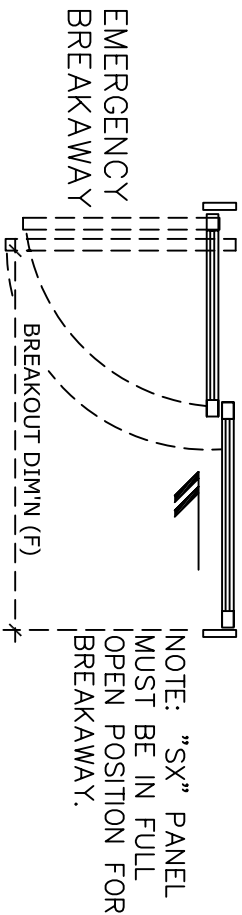
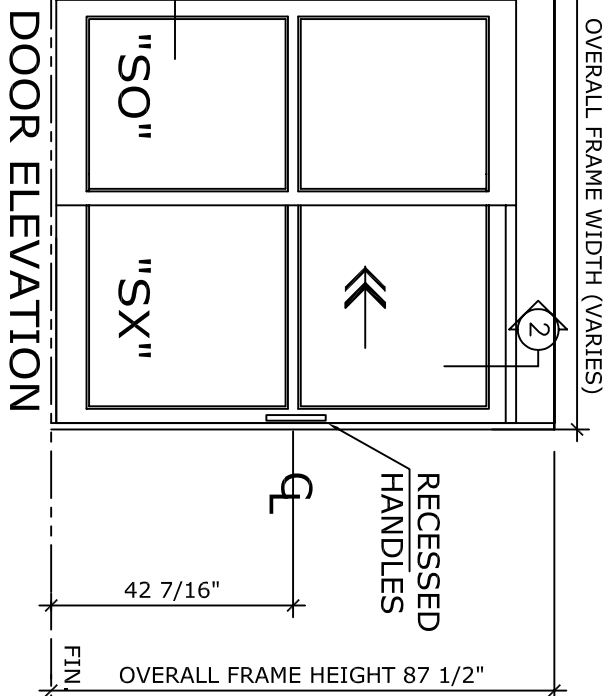


NOTE:  
 MANUAL SLIDING DOOR SYSTEM SHALL BE HUNTER "IC-18" AS  
 ENGINEERED, MANUFACTURED & ASSEMBLED BY HUNTER ACCESS  
 TECHNOLOGIES INC.

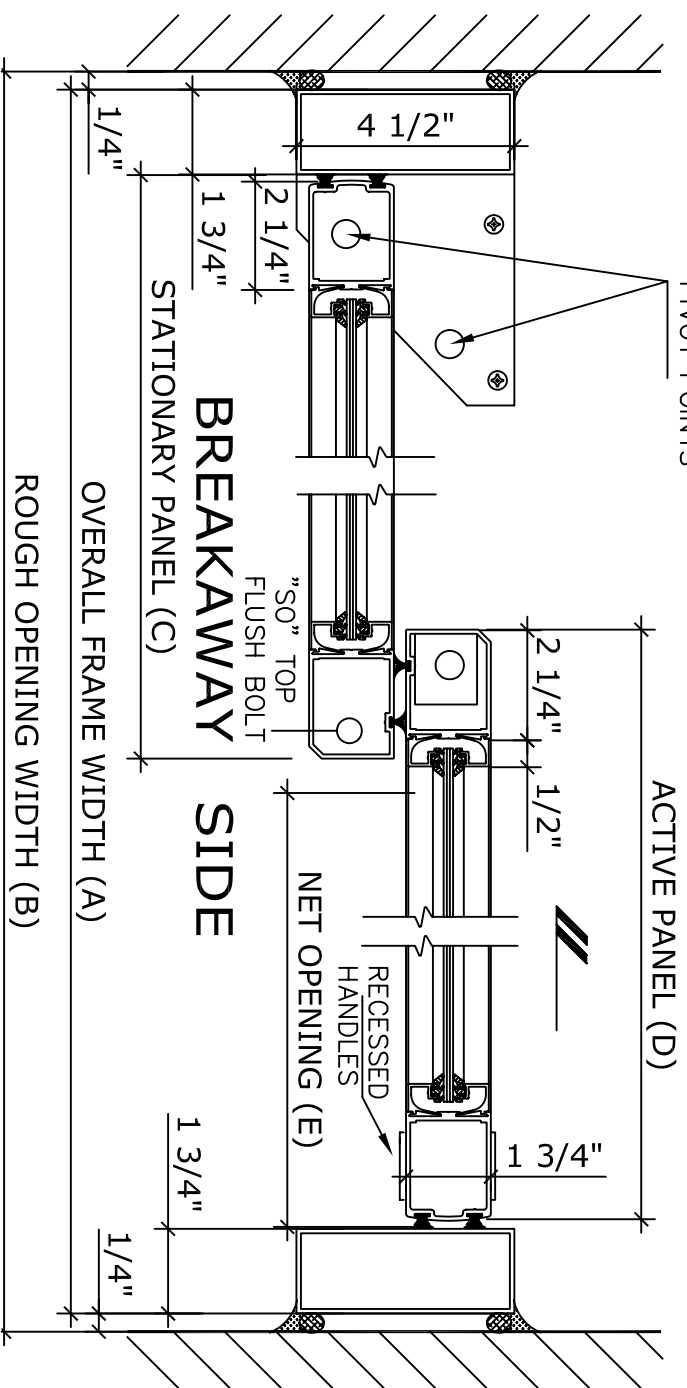
STANDARD FINISH: ANODIZED, CLEAR; DARK BRONZE;  
 SPECIAL FINISHES ARE AVAILABLE

UNIT DESCRIPTION
HUNTER IC-18-1-TKL
SO-SX: TRACKLESS - OVERHEAD CONCEALED F.B.O. L.H. SINGLE SLIDE NARROW STILE MANUAL DOOR SYSTEM. STD. PACKAGE SHALL INCLUDE LOW PROFILE HEADER, FRAME AND DOORS WITH MUNTIN, 4" BOTTOM RAILS WITH CONCEALED SWEEP, BRUSH-PILE WEATHER STRIPPING, EMERGENCY BREAKAWAY, GLAZING STOPS FOR 1/4" T.G. AND RECESSED HANDLES. BOTTOM GUIDE SYSTEM SHALL BE TRACKLESS.



DOOR TYPE: IC18-1-TKL-	OVERALL FRAME WIDTH	ROUGH OPENING WIDTH	SIDELITE PANEL WIDTH	ACTIVE PANEL WIDTH	NET DOOR OPENING	BREAK OUT DIM'N F
TKL-7	84"	84 1/2"	38 5/8"	44 5/8"	33 1/4"	76"
TKL-8	96"	96 1/2"	44 5/8"	50 5/8"	39 1/4"	88"
TKL-9	108"	108-1/2"	50 5/8"	56 5/8"	45 1/4"	100"
KEY (INCHES)	(B-1/2)	(A+1/2)	(A/2-3 3/8)	(A/2+2 5/8)	(A/2-8 3/4)	(A-8)

REFER TO RELEVANT (LOCAL, STATE, NATIONAL OR AHJ) BUILDING CODE FOR MIN DOOR  
 HEIGHT & MIN/MAX WIDTH ALLOWABLE FOR EGRESS REQUIREMENT.

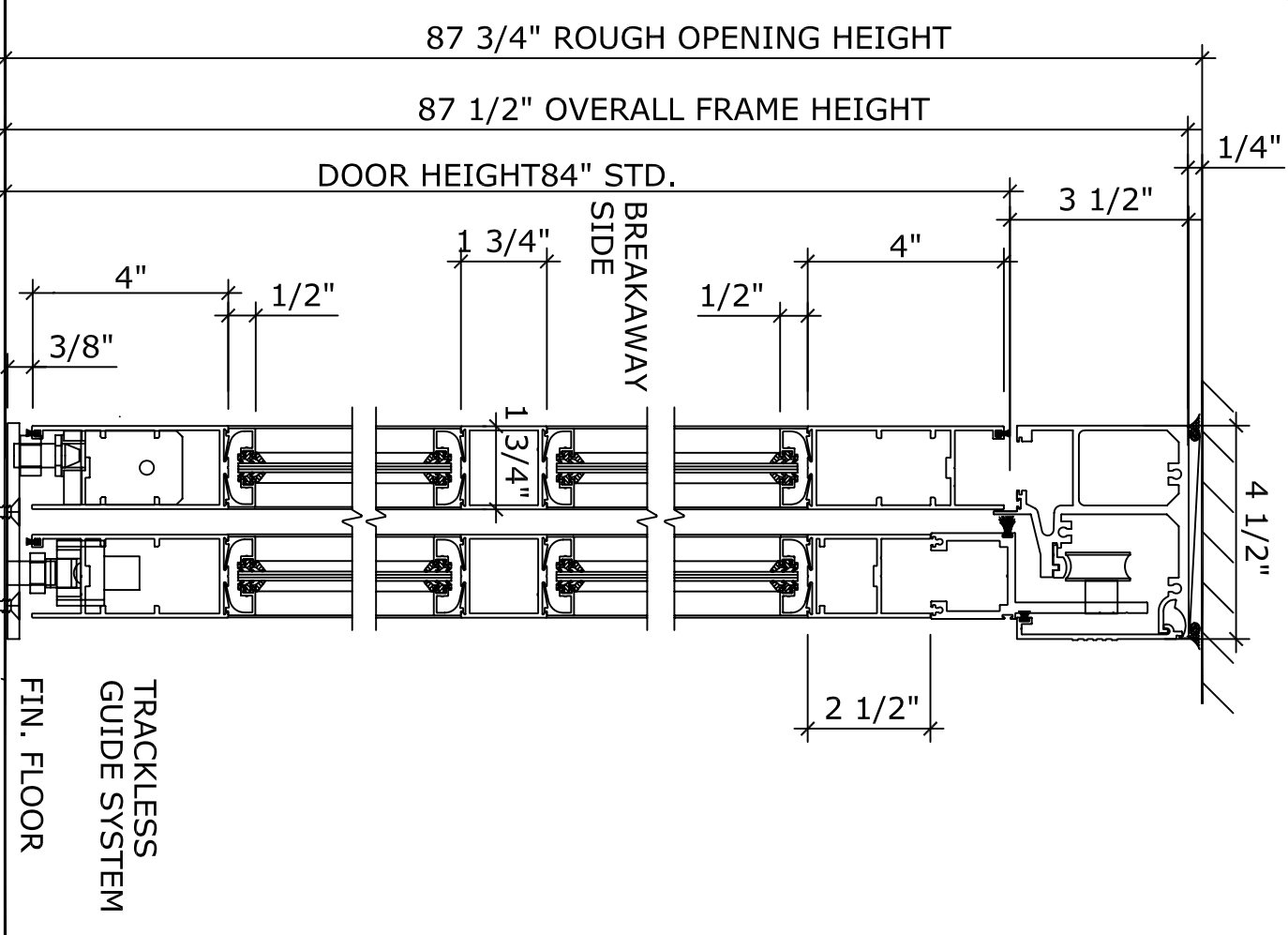


**1 HORIZONTAL SECTION**

NOTE:  
 HUNTER ACCESS TECHNOLOGIES INC. RESERVES  
 THE RIGHT TO CHANGE & IMPROVE IT'S  
 PRODUCTS & SPECIFICATIONS WITHOUT NOTICE.

**Hunter**  
 ACCESS TECHNOLOGIES INC.  
 125 KENYON DRIVE  
 SUITE #3  
 LAKEWOOD, NJ 08701  
 TEL.: 732-942-6099  
 FAX: 732-942-6033  
 www.hunteraccess technologies.com

APPLICATION:  
 IC-18-1-TKL. TRACKLESS LEFT HAND, FBO  
 INTENSIVE CARE UNIT SLIDER SYSTEM.



**2 VERTICAL SECTION**

SHEET TITLE:	SHEET NO. <b>1</b>
ARCHITECT:	SECTION <b>IC</b>
CONTRACTOR:	
DETAIL SCALE	DRAWN BY
	DATE