

NOTE:  
 MANUAL SLIDING DOOR SYSTEM SHALL BE HUNTER "IC-18" AS ENGINEERED, MANUFACTURED & ASSEMBLED BY HUNTER ACCESS TECHNOLOGIES INC.  
 STANDARD FINISH: ANODIZED, CLEAR; DARK BRONZE;  
 SPECIAL FINISHES ARE AVAILABLE

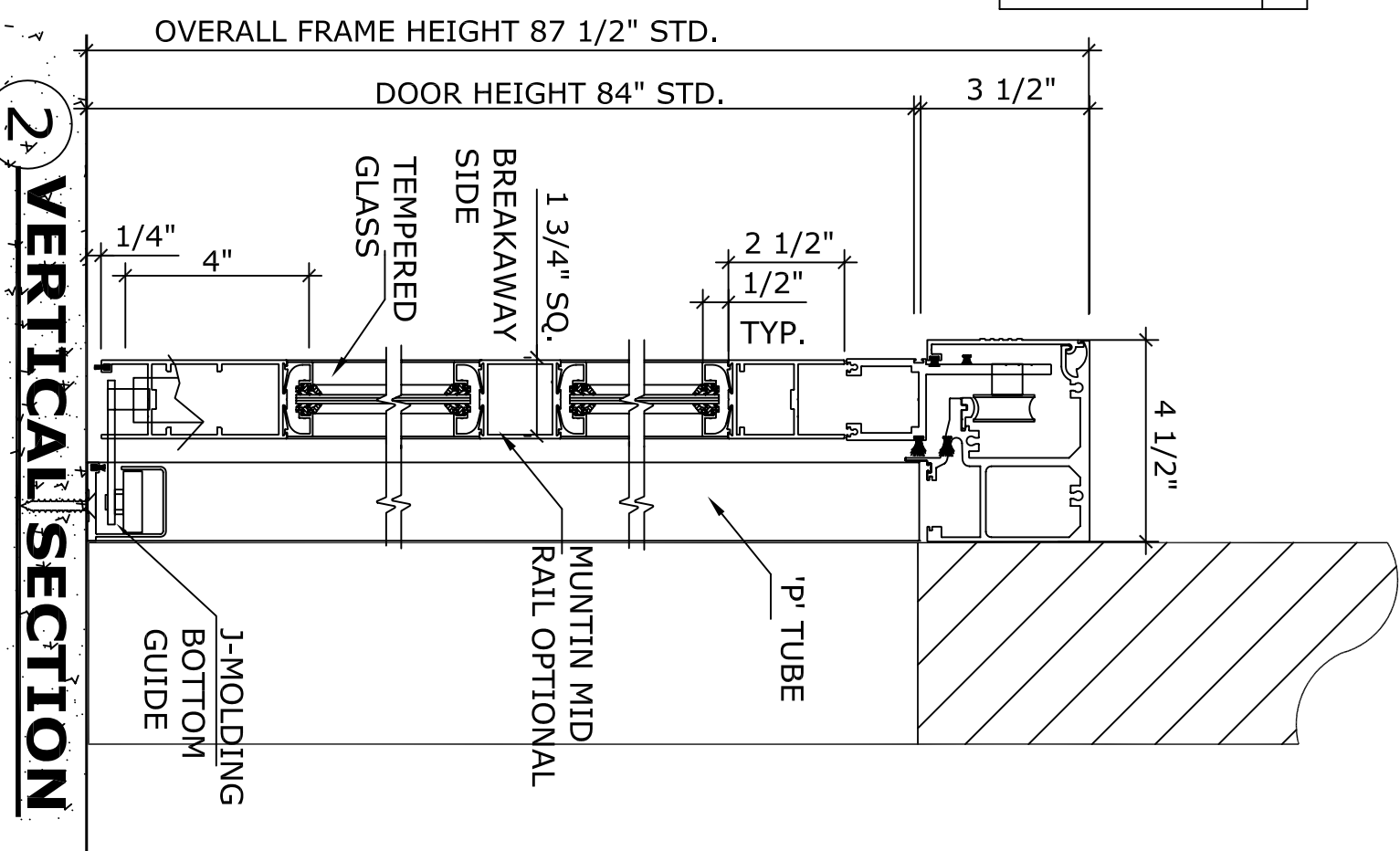
UNIT DESCRIPTION

HUNTER IC-18-1-SFLR					
DOOR TYPE:	OVERALL FRAME WIDTH	FINISHED OPENING WIDTH	ACTIVE PANEL WIDTH	NET DOOR OPENING	BREAK OUT DIM'N
IC18-1-SFLR-					
SFLR-7	84"	40 1/4"	42"	36 1/2"	40 1/4"
SFLR-8	96"	46 1/4"	48"	42 1/2"	46 1/4"
SFLR-9	108"	52 1/4"	54"	48 1/2"	52 1/4"
KEY (INCHES)	2(B+1 3/4)	(A/2-1 3/4)	(B+1 3/4)	(B-3 3/4)	(A/2-1 3/4)

REFER TO RELEVANT (LOCAL, STATE, NATIONAL OR AHJ) BUILDING CODE FOR MIN DOOR HEIGHT & MIN/MAX WIDTH ALLOWABLE FOR EGRESS REQUIREMENT.

SX-P: SURFACE MOUNT SLIDER WITH 'P' PANEL, R.H. SINGLE SLIDE NARROW STILE MANUAL DOOR SYSTEM. STD. PACKAGE SHALL INCLUDE LOW PROFILE HEADER, FRAME AND DOOR WITH MUNTIN, 4" BOTTOM RAIL WITH CONCEALED SWEEP, BRUSH-PILE WEATHER STRIPPING, EMERGENCY BREAKAWAY, GLAZING STOPS FOR 1/4" T.G. AND RECESSED HANDLES. BOTTOM GUIDE IS CONCEALED IN 'J' MOLDING OF FIXED 'P' PANEL,

APPLICATION:  
 IC-18-1-SFLR. SURFACE MOUNT RIGHT HAND, INTENSIVE CARE UNIT SLIDER SYSTEM.



1 HORIZONTAL SECTION

2 VERTICAL SECTION

NOTE:  
 HUNTER ACCESS TECHNOLOGIES INC. RESERVES THE RIGHT TO CHANGE & IMPROVE ITS PRODUCTS & SPECIFICATIONS WITHOUT NOTICE.

125 KENYON DRIVE  
 SUITE #3  
 LAKEWOOD, NJ 08701  
 TEL. 732-942-6099  
 FAX. 732-942-6033  
 www.hunteraccesstechnologies.com

SHEET TITLE:		SHEET NO.:	14
ARCHITECT:		SECTION:	IC
CONTRACTOR:		SCALE:	
DRAWN BY:		DATE:	