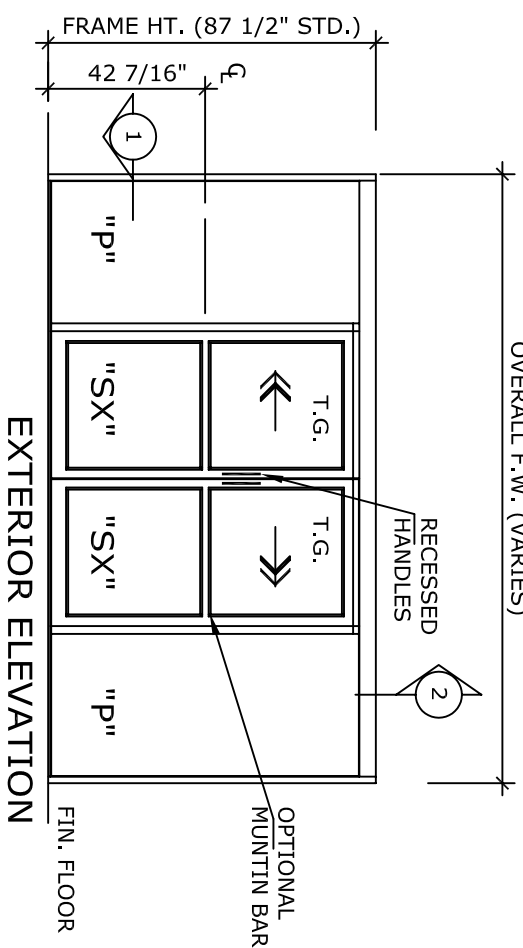
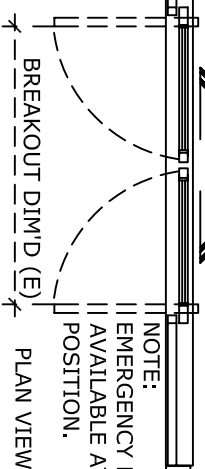


OVERALL F.W. (VARIES)



EXTERIOR ELEVATION



NOTE:  
 || EMERGENCY BREAKAWAY ONLY  
 || AVAILABLE AT FULL CLOSED  
 || POSITION.  
 BREAKOUT DIM'D (E)  
 PLAN VIEW

NOTE:  
 MANUAL SLIDING DOOR SYSTEM SHALL BE HUNTER "IC-18" AS  
 ENGINEERED, MANUFACTURED & ASSEMBLED BY HUNTER ACCESS  
 TECHNOLOGIES INC.

STANDARD FINISH: ANODIZED, CLEAR; DARK BRONZE;  
 SPECIAL FINISHES ARE AVAILABLE

APPLICATION:  
 IC-18-2-RVR. SURFACE MOUNT REVERSE BREAKOUT  
 BI-PART, INTENSIVE CARE UNIT SLIDER SYSTEM.

UNIT DESCRIPTION

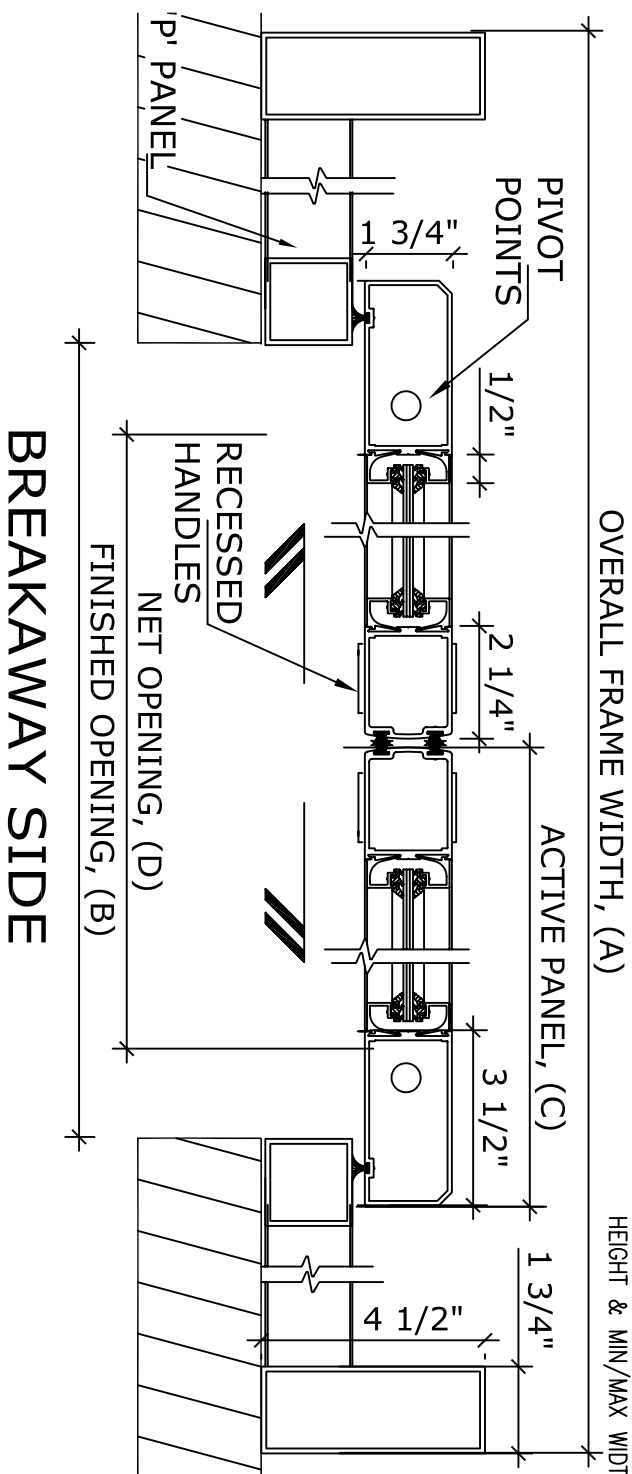
HUNTER IC-18-2-RVR

P-SX-SX-P: SURFACE MOUNT REVERSE BREAKOUT SLIDER,  
 BI-PART WITH 'P' PANEL, MANUAL DOOR SYSTEM.

STD. PACKAGE SHALL INCLUDE LOW PROFILE HEADER, FRAME AND  
 DOORS WITH MUNTIN, 4" BOTTOM RAILS WITH CONCEALED SWEEP,  
 BRUSH-PILE WEATHER STRIPPING, EMERGENCY BREAKAWAY, GLAZING  
 STOPS FOR 1/4" T.G. AND RECESSED HANDLES. BOTTOM GUIDE  
 SYSTEM SHALL BE PART OF FULL THRESHOLD.

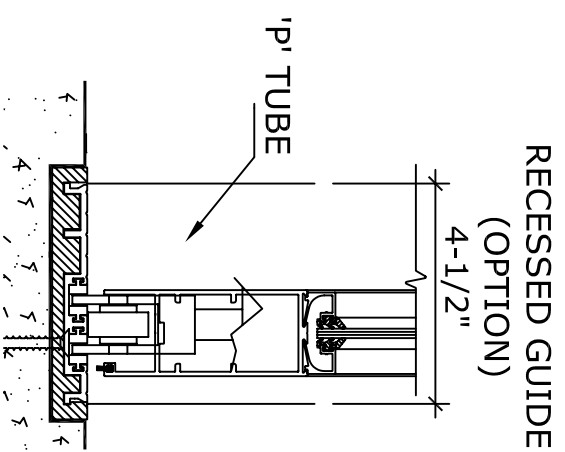
DOOR TYPE: IC18-2-RV-	OVERALL FRAME WIDTH A	FINISHED OPENING WIDTH B	ACTIVE PANEL WIDTH C	NET DOOR OPENING D	BREAK OUT DIM'N E
RV-8	96"	47 3/4"	25 1/8"	40 1/4"	43 1/4"
RV-10	120"	59 3/4"	31 1/8"	52 1/4"	55 1/4"
RV-12	144"	71 3/4"	37 1/8"	64 1/4"	67 1/4"
RV-14	168"	83 3/4"	43 1/8"	76 1/4"	79 1/4"
KEY (INCHES)	(2B+1/2)	(A/2-1/4)	(B/2+1 1/4)	(B-7 1/2)	(B-4 1/2)

REFER TO RELEVANT (LOCAL, STATE, NATIONAL OR AHJ) BUILDING CODE FOR MIN DOOR  
 HEIGHT & MIN/MAX WIDTH ALLOWABLE FOR EGRESS REQUIREMENT.

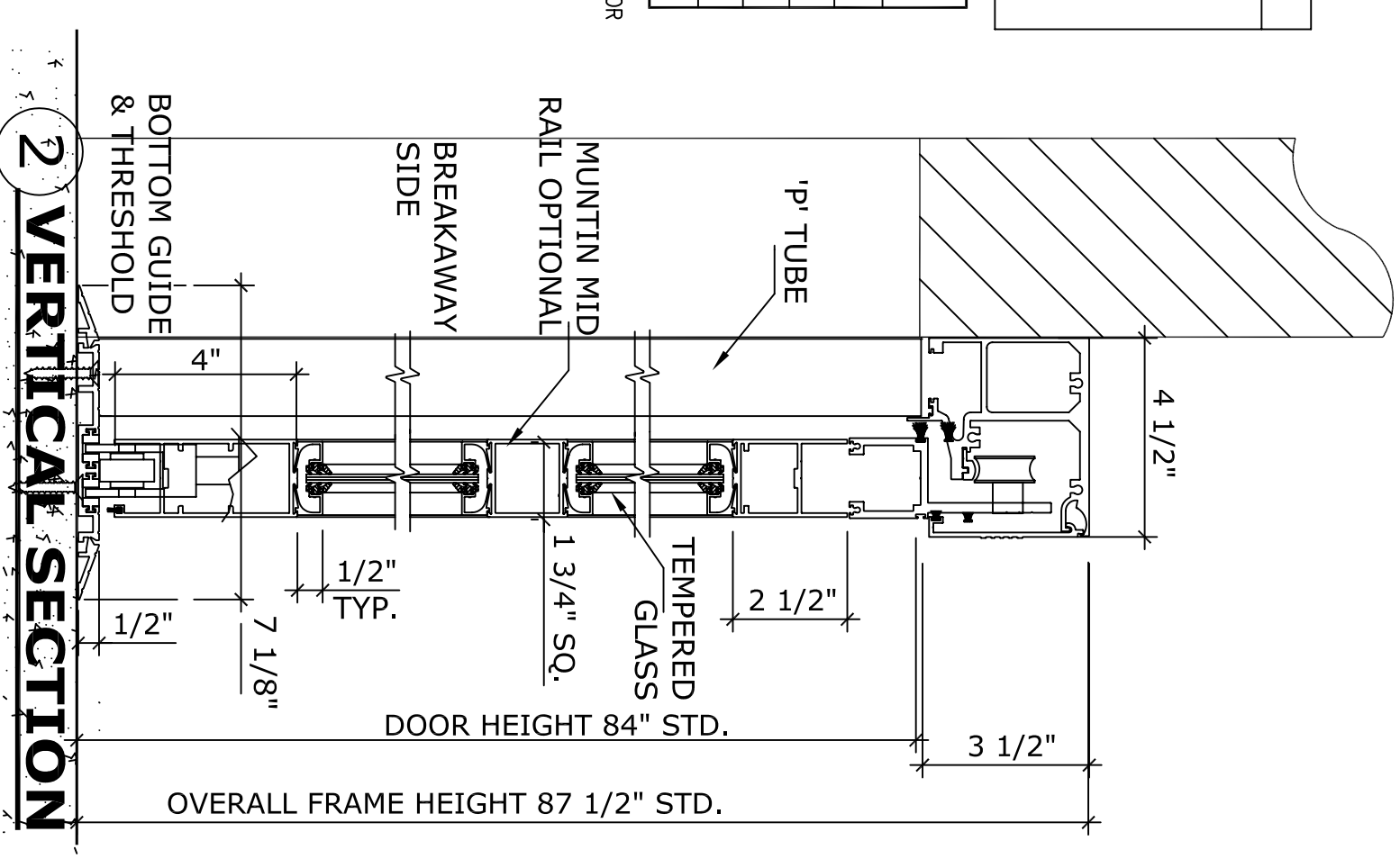


BREAKAWAY SIDE

1 HORIZONTAL SECTION



RECESSED GUIDE  
 (OPTION)  
 4-1/2"



2 VERTICAL SECTION

NOTE:  
 HUNTER ACCESS TECHNOLOGIES INC. RESERVES  
 THE RIGHT TO CHANGE & IMPROVE IT'S  
 PRODUCTS & SPECIFICATIONS WITHOUT NOTICE.

**Hunter**  
 ACCESS TECHNOLOGIES INC.

125 KENYON DRIVE  
 SUITE #3  
 LAKEWOOD, NJ 08701  
 TEL. 732-942-6099  
 FAX. 732-942-6033  
 www.hunteraccesstechnologies.com

SHEET TITLE:		SHEET NO.:	18
ARCHITECT:		SECTION:	IC
CONTRACTOR:		SCALE:	
DRAWN BY:		DATE:	