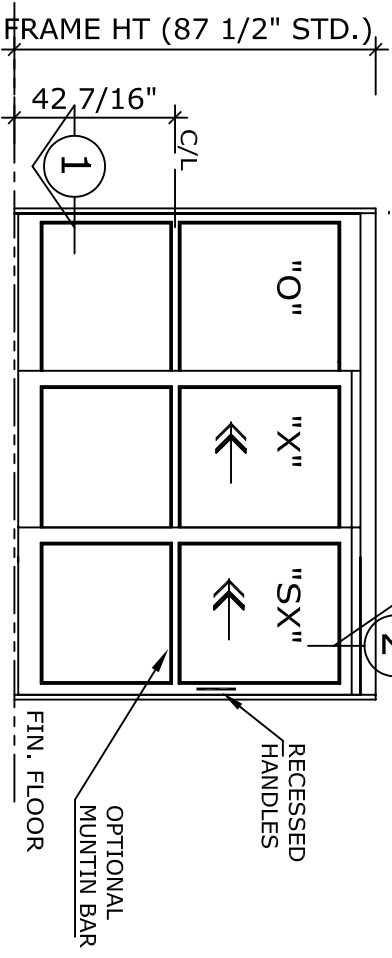
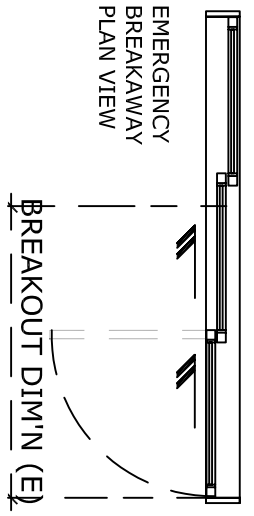


OVERALL FRAME WIDTH (VARIES)



DOOR ELEVATION



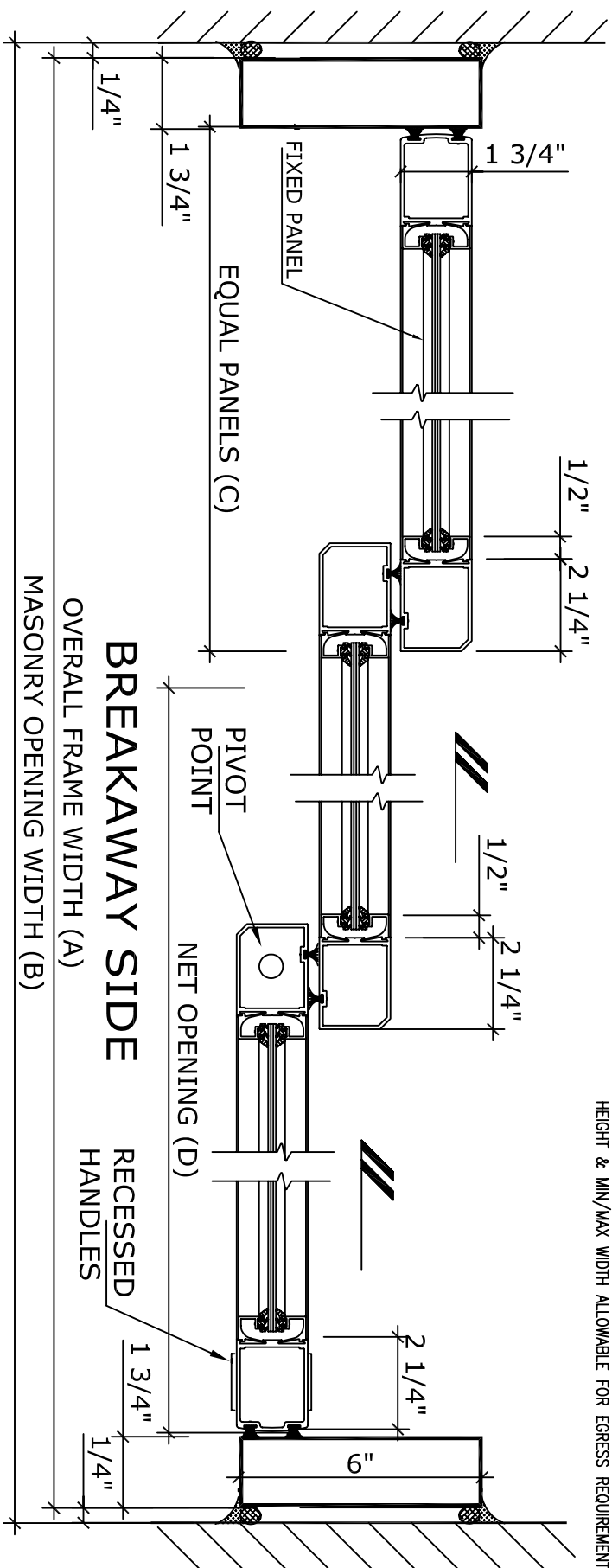
EMERGENCY BREAKAWAY PLAN VIEW

NOTE:  
 MANUAL SLIDING DOOR SYSTEM SHALL BE HUNTER "IC-18" AS ENGINEERED, MANUFACTURED & ASSEMBLED BY HUNTER ACCESS TECHNOLOGIES INC.  
 STANDARD FINISH: ANODIZED, CLEAR; DARK BRONZE; SPECIAL FINISHES ARE AVAILABLE

UNIT DESCRIPTION	
HUNTER IC-18-3-TFLL	
O-X-SX : TELESCOPIC OVERHEAD CONCEALED LEFT HAND NARROW STILE F.S.L. MANUAL DOOR SYSTEM.	
STD. PACKAGE SHALL INCLUDE LOW PROFILE HEADER, FRAME AND DOORS WITH MUNTIN, 4" BOTTOM RAILS WITH CONCEALED SWEEP, BRUSH-PILE WEATHER STRIPPING, EMERGENCY BREAKAWAY, GLAZING STOPS FOR 1/4" T.G. AND RECESSED HANDLES. DOOR GUIDE SYSTEM SHALL BE CONCEALED IN BOTTOM HORIZONTAL RAILS.	

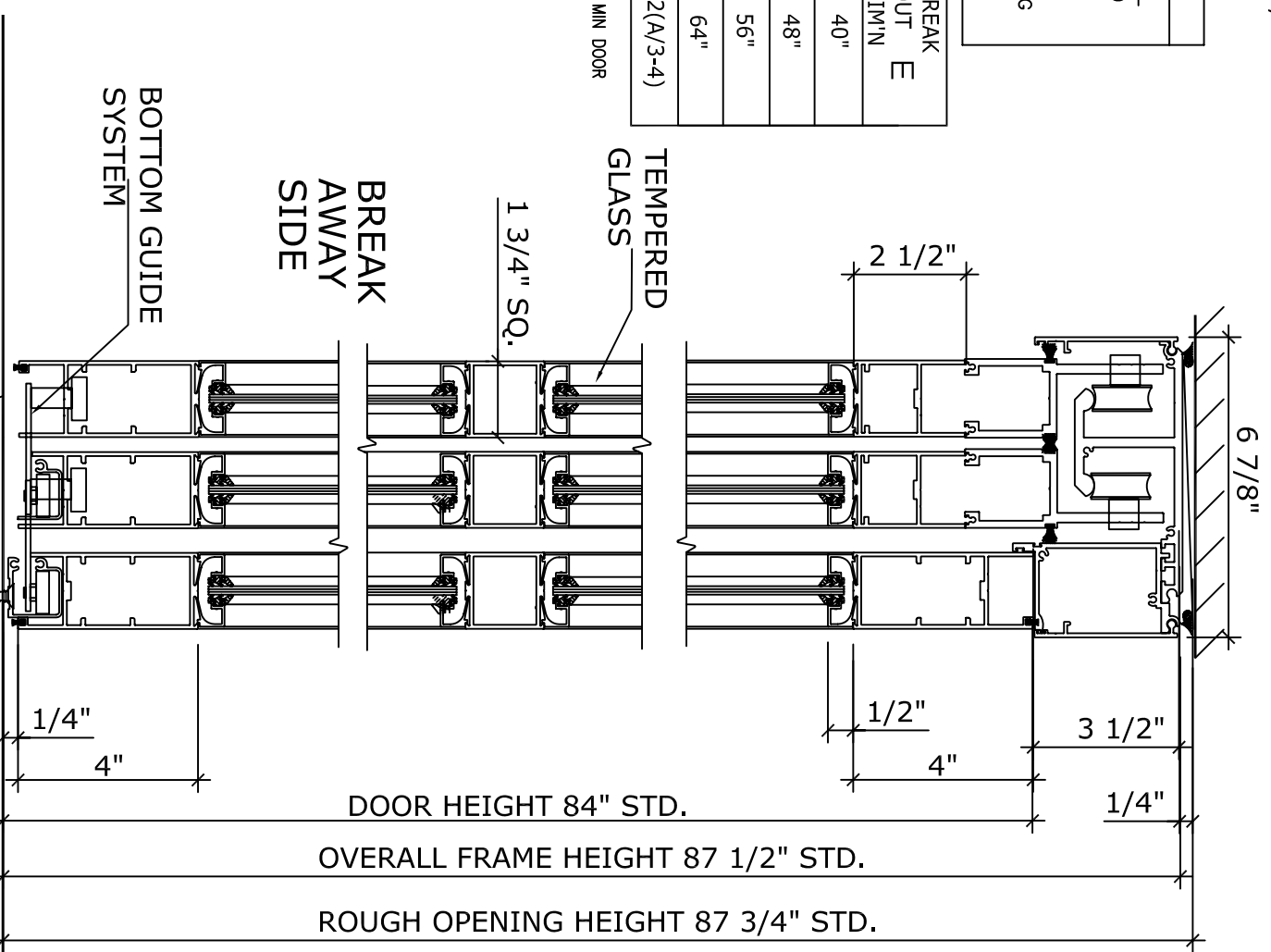
DOOR TYPE:	OVERALL FRAME A WIDTH	ROUGH OPENING B WIDTH	EQUAL PANELS C WIDTH	NET DOOR D OPENING	BREAK OUT E DIM'N
IC18-3-TFLL-					
TFLL-6	72"	72 1/2"	24 11/16"	36 1/4"	40"
TFLL-7	84"	84 1/2"	28 11/16"	44 1/4"	48"
TFLL-8	96"	96 1/2"	32 11/16"	52 1/4"	56"
TFLL-9	108"	108-1/2"	36 11/16"	60 1/4"	64"
KEY (INCHES)	(B-1/2)	(A+1/2)	(A/3+11/16)	2(A/3-5 7/8)	2(A/3-4)

REFER TO RELEVANT (LOCAL, STATE, NATIONAL OR AHJ) BUILDING CODE FOR MIN DOOR HEIGHT & MIN/MAX WIDTH ALLOWABLE FOR EGRESS REQUIREMENT.



1 HORIZONTAL SECTION

APPLICATION:  
 IC-18-3-TFLL. TELESCOPIC FIXED SIDELITE LEFT HAND, INTENSIVE CARE UNIT SLIDER SYSTEM.



2 VERTICAL SECTION

NOTE:  
 HUNTER ACCESS TECHNOLOGIES INC. RESERVES THE RIGHT TO CHANGE & IMPROVE IT'S PRODUCTS & SPECIFICATIONS WITHOUT NOTICE.

125 KENYON DRIVE  
 SUITE #3  
 LAKEWOOD, NJ 08701  
 TEL. 732-942-6099  
 FAX. 732-942-6033  
 www.hunteraccesstechnologies.com

SHEET TITLE:		SHEET NO. <b>22</b>	
ARCHITECT:		SECTION <b>IC</b>	
CUSTOMER:		DRAWN BY	
DETAIL SCALE		DATE	