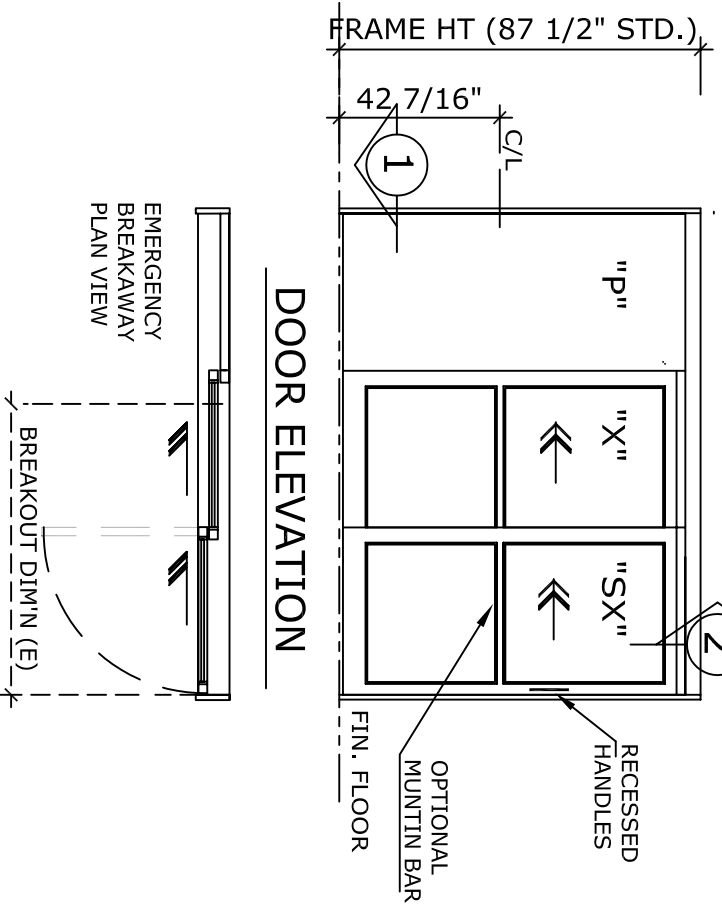


OVERALL FRAME WIDTH (VARIES)



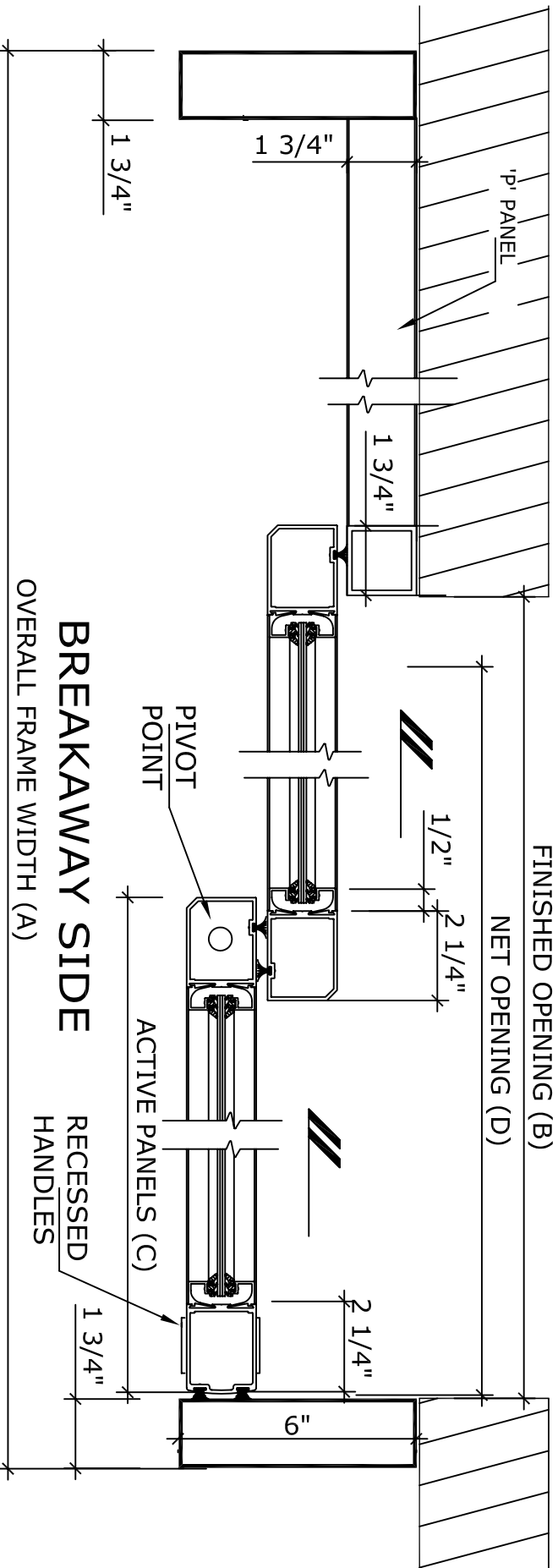
NOTE:
 MANUAL SLIDING DOOR SYSTEM SHALL BE HUNTER "IC-18" AS ENGINEERED, MANUFACTURED & ASSEMBLED BY HUNTER ACCESS TECHNOLOGIES INC.

STANDARD FINISH: ANODIZED, CLEAR; DARK BRONZE;
 SPECIAL FINISHES ARE AVAILABLE

UNIT DESCRIPTION
HUNTER IC-18-3-TSFLL
P-X-SX : TELESCOPIC SURFACE MOUNT SLIDER WITH 'P' PANEL L.H. NARROW STILE F.S.L. MANUAL DOOR SYSTEM.
STD. PACKAGE SHALL INCLUDE LOW PROFILE HEADER, FRAME AND DOORS WITH MUNTIN, 4" BOTTOM RAILS WITH CONCEALED SWEEP, BRUSH-PILE WEATHER STRIPPING, EMERGENCY BREAKAWAY, GLAZING STOPS FOR 1/4" T.G. AND RECESSED HANDLES. DOOR GUIDE SYSTEM SHALL BE CONCEALED IN BOTTOM HORIZONTAL RAIL AND 'J' MOLDING OF 'P' PANEL.

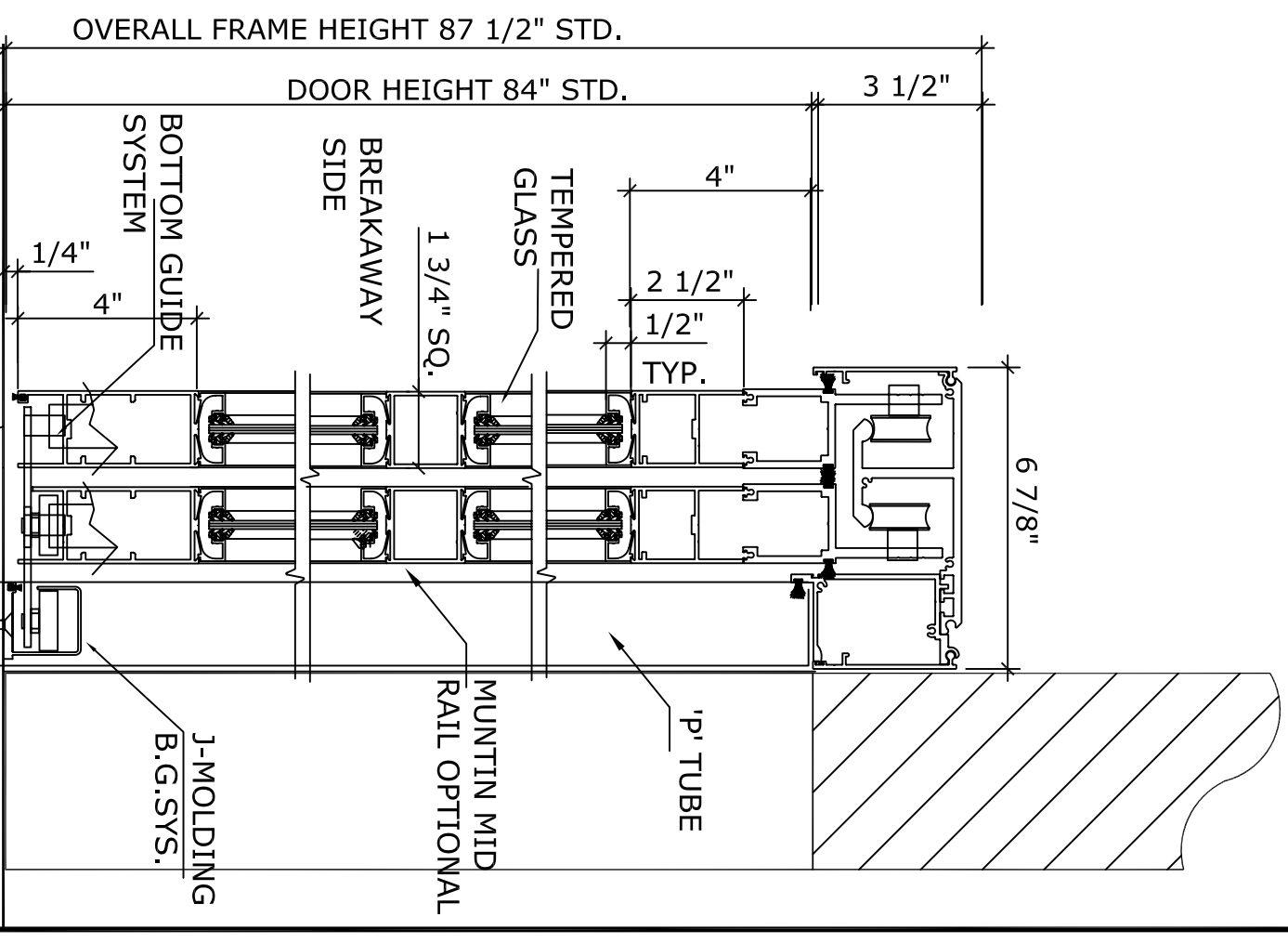
DOOR TYPE:	OVERALL FRAME A WIDTH	FINISHED OPENING B WIDTH	ACTIVE PANELS C WIDTH	NET DOOR D OPENING	MAX B/OUT E DIMIN
IC18-3-TSFLL-					
TSFLL-4	77 3/4"	48"	26 1/4"	42 1/4"	46"
TSFLL-5	95 3/4"	60"	32 1/4"	54 1/4"	58"
TSFLL-6	113 3/4"	72"	38 1/4"	66 1/4"	70"
TSFLL-7	131 3/4"	84"	44 1/4"	78 1/4"	82"
KEY (INCHES)	(3B/2+5 3/4)	(A-5 3/4)2/3	(B/2+2 1/4)	(B-5 3/4)	(B-2)

REFER TO RELEVANT (LOCAL, STATE, NATIONAL OR AHD) BUILDING CODE FOR MIN DOOR HEIGHT & MIN/MAX WIDTH ALLOWABLE FOR EGRESS REQUIREMENT.



1 HORIZONTAL SECTION

APPLICATION:
 IC-18-3-TSFLL. TELESCOPIC SURFACE MOUNT, LEFT HAND, INTENSIVE CARE UNIT SLIDER SYSTEM.



2 VERTICAL SECTION

NOTE:
 HUNTER ACCESS TECHNOLOGIES INC. RESERVES THE RIGHT TO CHANGE & IMPROVE IT'S PRODUCTS & SPECIFICATIONS WITHOUT NOTICE.

125 KENYON DRIVE
 SUITE #3
 LAKEWOOD, NJ 08701
 TEL: 732-942-6099
 FAX: 732-942-6033
 www.hunteraccesstechnologies.com

SHEET TITLE:		SHEET NO.	25
ARCHITECT:		SECTION	IC
CUSTOMER:		DETAIL SCALE	
DRAWN BY		DATE	