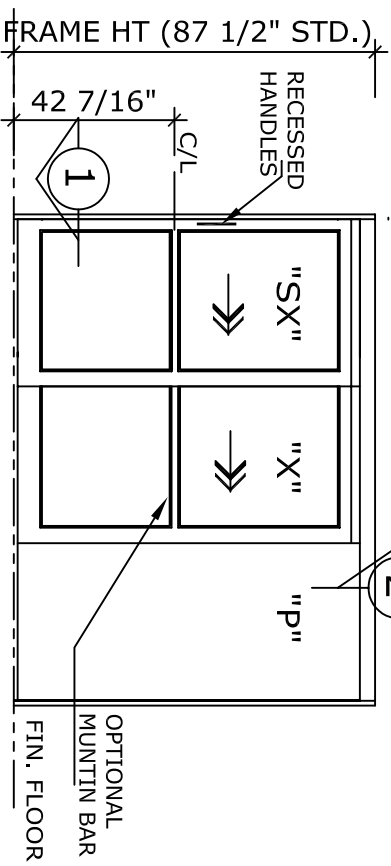
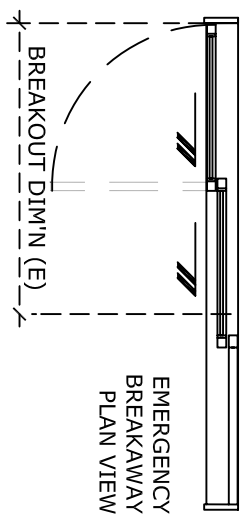


OVERALL FRAME WIDTH (VARIES)



DOOR ELEVATION



EMERGENCY BREAKAWAY PLAN VIEW

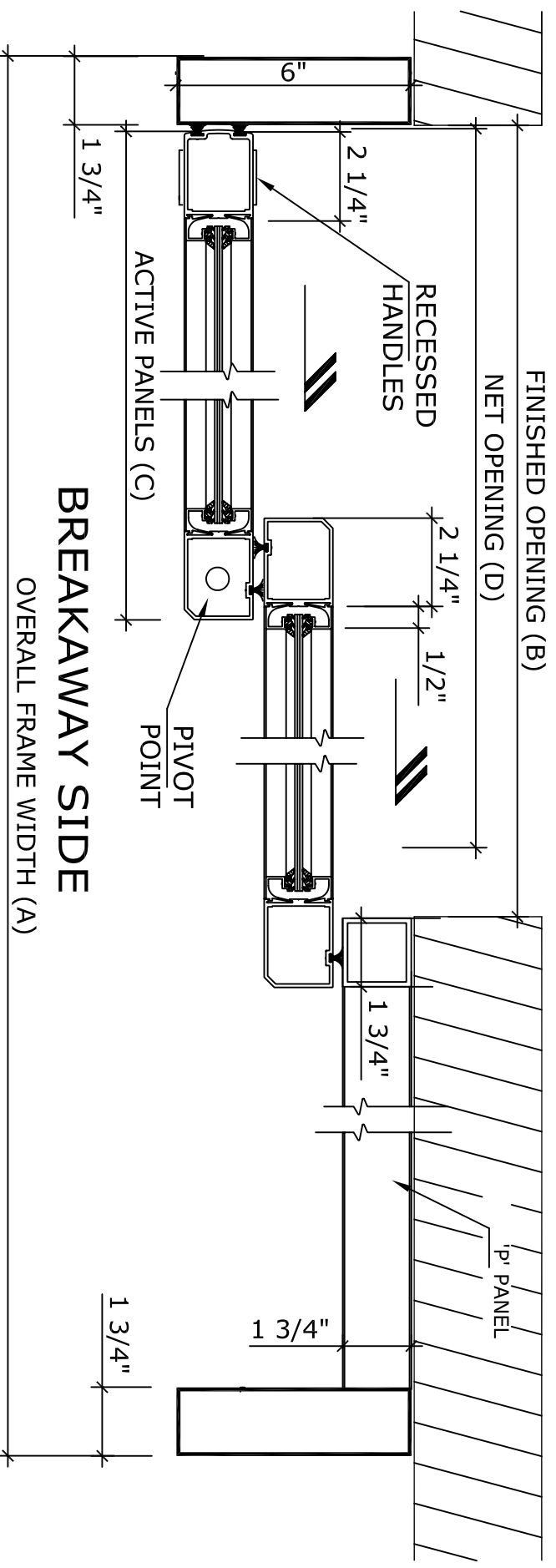
NOTE:  
MANUAL SLIDING DOOR SYSTEM SHALL BE HUNTER "IC-18" AS ENGINEERED, MANUFACTURED & ASSEMBLED BY HUNTER ACCESS TECHNOLOGIES INC.

STANDARD FINISH: ANODIZED, CLEAR; DARK BRONZE;  
SPECIAL FINISHES ARE AVAILABLE

UNIT DESCRIPTION	
HUNTER IC-18-3-TSFLR	
SX-X-P : TELESCOPIC SURFACE MOUNT SLIDER WITH 'P' PANEL R.H. NARROW STILE F.S.L. MANUAL DOOR SYSTEM.	
STD. PACKAGE SHALL INCLUDE LOW PROFILE HEADER, FRAME AND DOORS WITH MUNTIN, 4" BOTTOM RAILS WITH CONCEALED SWEEP, BRUSH-PILE WEATHER STRIPPING, EMERGENCY BREAKAWAY, GLAZING STOPS FOR 1/4" T.G. AND RECESSED HANDLES. DOOR GUIDE SYSTEM SHALL BE CONCEALED IN BOTTOM HORIZONTAL RAIL AND 'J' MOLDING OF 'P' PANEL.	

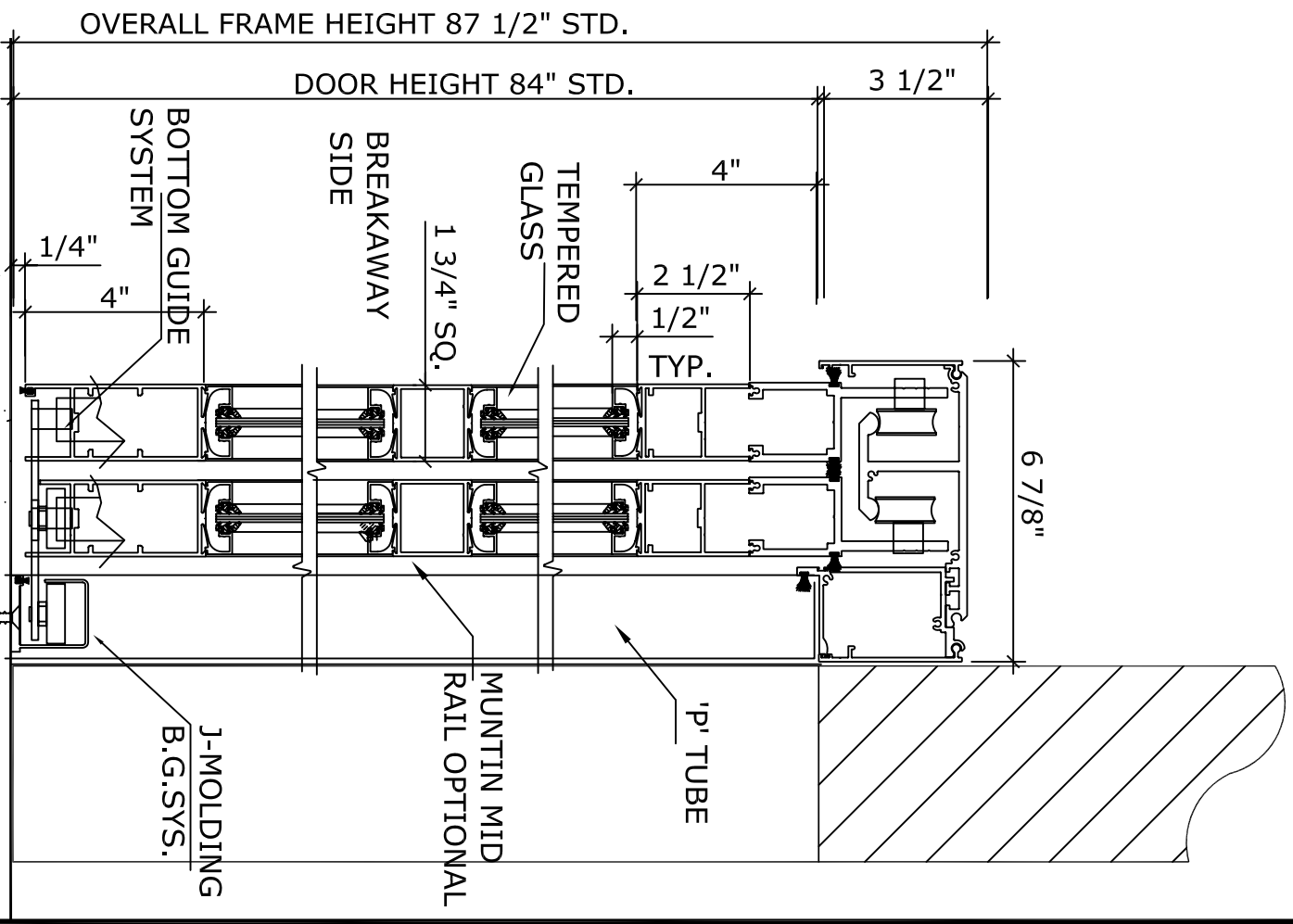
DOOR TYPE:	OVERALL FRAME A WIDTH	FINISHED OPENING B WIDTH	ACTIVE PANELS C WIDTH	NET DOOR D OPENING	MAX B/OUT E DIM'N
IC18-3-TSFLR-	77 3/4"	48"	26 1/4"	42 1/4"	46"
TSFLR-4	95 3/4"	60"	32 1/4"	54 1/4"	58"
TSFLR-5	113 3/4"	72"	38 1/4"	66 1/4"	70"
TSFLR-6	131 3/4"	84"	44 1/4"	78 1/4"	82"
TSFLR-7	(3B/2+5 3/4)	(A-5 3/4)2/3	(B/2+2 1/4)	(B-5 3/4)	(B-2)

REFER TO RELEVANT (LOCAL, STATE, NATIONAL OR AHD) BUILDING CODE FOR MIN DOOR HEIGHT & MIN/MAX WIDTH ALLOWABLE FOR EGRESS REQUIREMENT.



1 HORIZONTAL SECTION

APPLICATION:  
IC-18-3-TSFLR, TELESCOPIC SURFACE MOUNT, RIGHT HAND, INTENSIVE CARE UNIT SLIDER SYSTEM.



2 VERTICAL SECTION

NOTE:  
HUNTER ACCESS TECHNOLOGIES INC. RESERVES THE RIGHT TO CHANGE & IMPROVE IT'S PRODUCTS & SPECIFICATIONS WITHOUT NOTICE.

125 KENYON DRIVE  
SUITE #3  
LAKEWOOD, NJ 08701  
TEL: 732-942-6099  
FAX: 732-942-6033  
www.hunteraccesstechnologies.com

SHEET TITLE:	ARCHITECT:		SHEET NO.
CUSTOMER:	DRAWN BY		26
DETAIL SCALE	DATE		SECTION
			IC