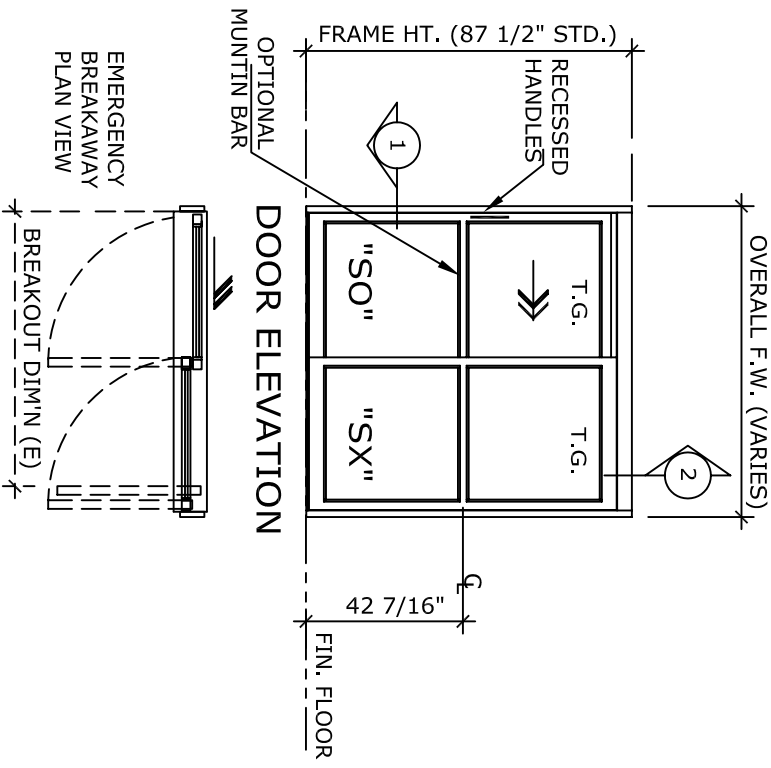


NOTE:
 MANUAL SLIDING DOOR SYSTEM SHALL BE HUNTER "IC-18" AS
 ENGINEERED, MANUFACTURED & ASSEMBLED BY HUNTER ACCESS
 TECHNOLOGIES INC.

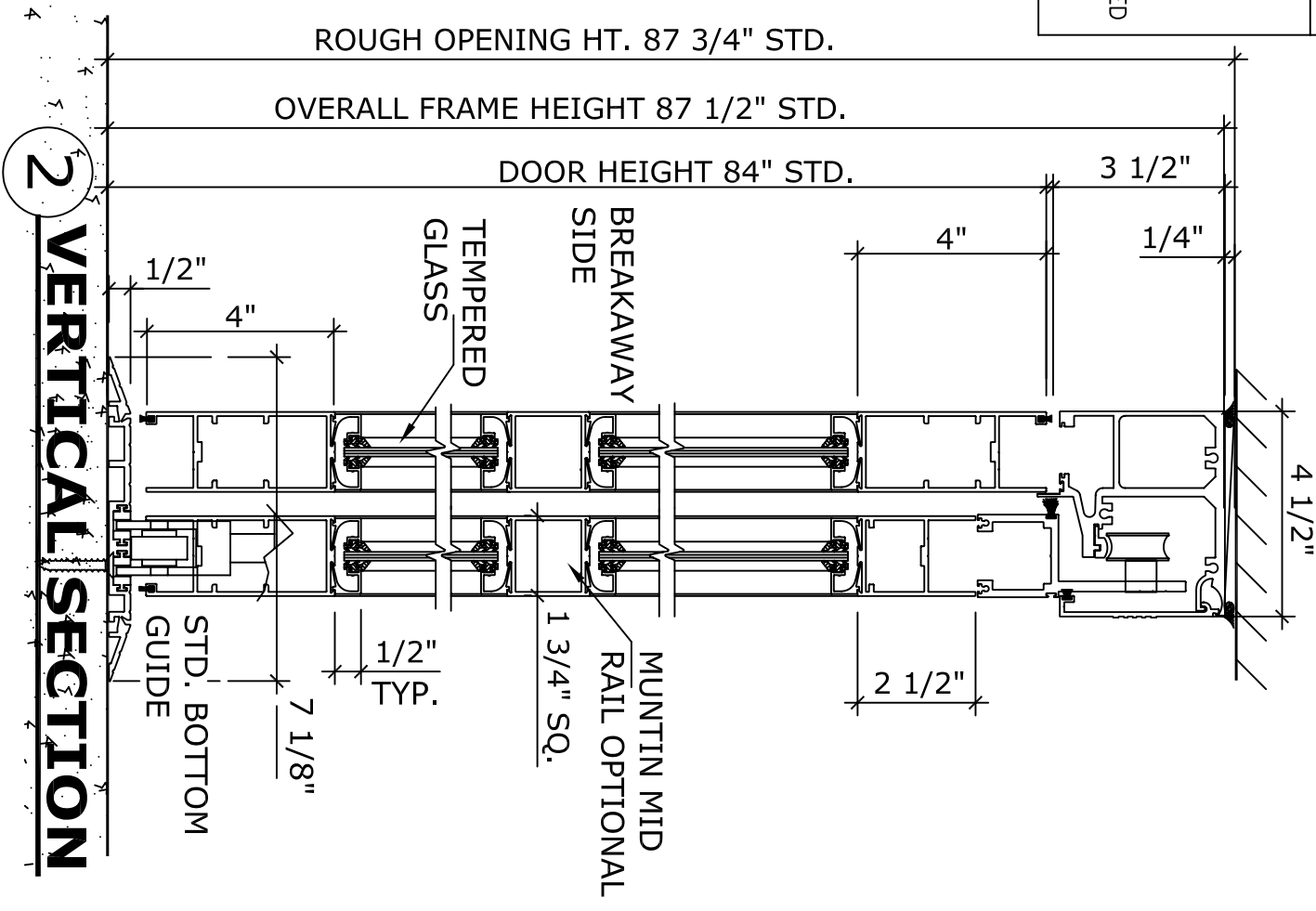
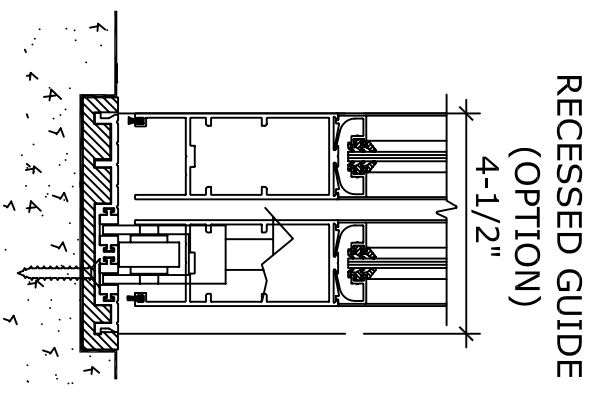
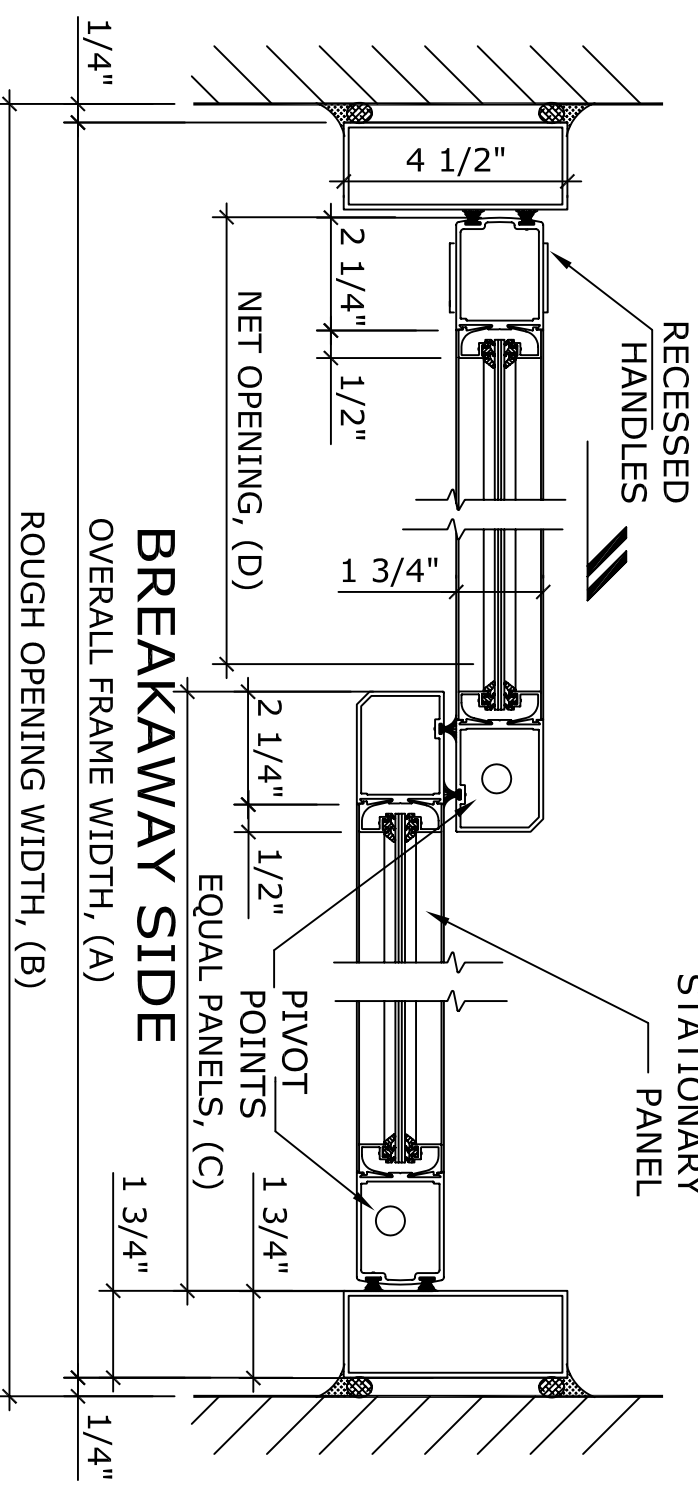
STANDARD FINISH: ANODIZED, CLEAR; DARK BRONZE;
 SPECIAL FINISHES ARE AVAILABLE

APPLICATION:
 IC-18-1-FBR, FULL BREAKOUT RIGHT HAND,
 INTENSIVE CARE UNIT SLIDER SYSTEM.



UNIT DESCRIPTION					
HUNTER IC-18-1-FBR					
SX-SO: OVERHEAD CONCEALED FULL BREAKOUT R.H. SINGLE SLIDE NARROW STILE MANUAL DOOR SYSTEM. STD. PACKAGE SHALL INCLUDE LOW PROFILE HEADER, FRAME AND DOORS WITH MUNTIN, 4" BOTTOM RAILS WITH CONCEALED SWEEP, BRUSH-PILE WEATHER STRIPPING, EMERGENCY BREAKAWAY, RECESSED HANDLES, GLAZING STOPS FOR 1/4" T.G. BOTTOM GUIDE TRACK SHALL BE UNDER SIDELITE OR PART OF FULL WIDTH THRESHOLD.					
DOOR TYPE:	OVERALL FRAME WIDTH A	ROUGH OPENING WIDTH B	EQUAL PANELS WIDTH C	NET DOOR OPENING D	BREAK OUT DIM'N E
IC18-1-FBR-					
FBR-7	84"	84 1/2"	41 9/16"	35 1/4"	74 3/4"
FBR-8	96"	96 1/2"	47 9/16"	41 1/4"	86 3/4"
FBR-9	108"	108-1/2"	53 9/16"	47 1/4"	98 3/4"
KEY (INCHES)	(B-1/2)	(A+1/2)	(A/2-7/16)	(A/2-6 3/4)	(A-9 1/4)

REFER TO RELEVANT (LOCAL, STATE, NATIONAL OR AHJ) BUILDING CODE FOR MIN DOOR
 HEIGHT & MIN/MAX WIDTH ALLOWABLE FOR EGRESS REQUIREMENT.



1 HORIZONTAL SECTION

2 VERTICAL SECTION

NOTE:
 HUNTER ACCESS TECHNOLOGIES INC. RESERVES
 THE RIGHT TO CHANGE & IMPROVE IT'S
 PRODUCTS & SPECIFICATIONS WITHOUT NOTICE.

Hunter
 ACCESS TECHNOLOGIES INC.
 125 KENYON DRIVE
 SUITE #3
 LAKEWOOD, NJ 08701
 TEL. 732-942-6099
 FAX. 732-942-6033
 www.hunteraccesstechnologies.com

SHEET TITLE:	SHEET NO. 8
ARCHITECT:	
CONTRACTOR:	
SCALE:	
DRAWN BY:	
DATE:	
SECTION	IC