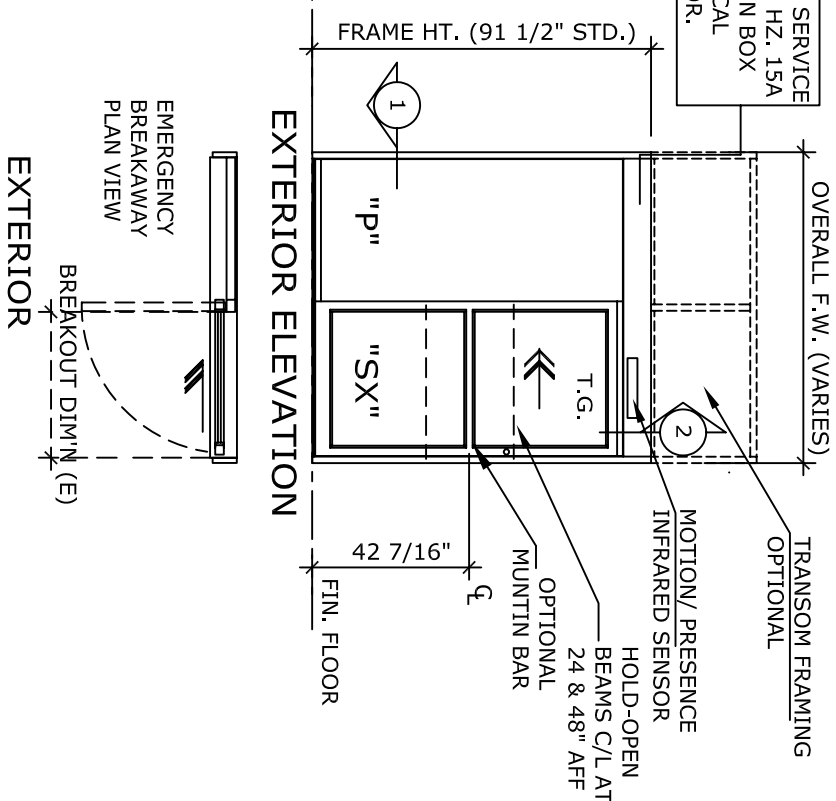
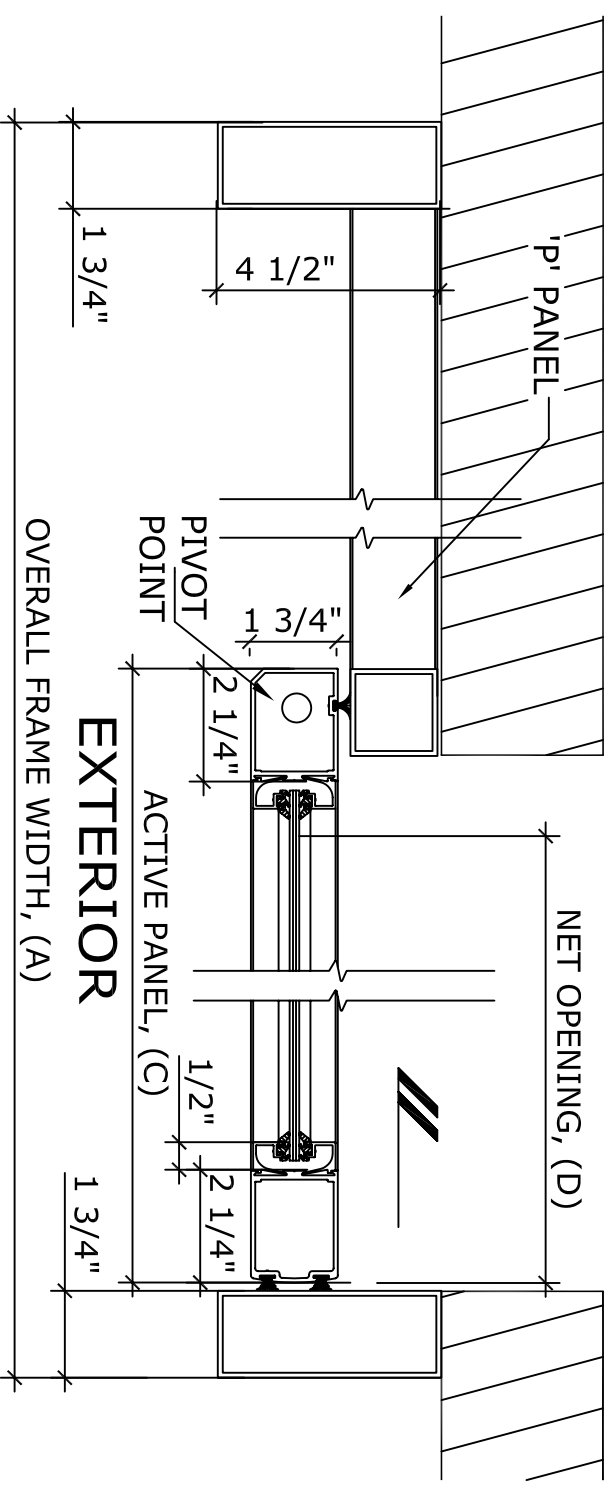
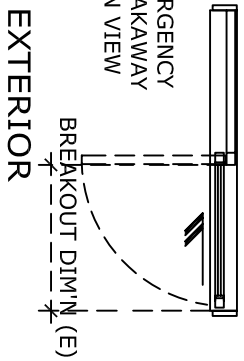


ELECTRICAL SERVICE
120 VAC, 60 HZ, 15A
TO JUNCTION BOX
BY ELECTRICAL
CONTRACTOR.



EXTERIOR ELEVATION



1 HORIZONTAL SECTION

NOTE:
AUTOMATIC SLIDING DOOR OPERATOR SHALL BE "DS-18" CUL USA APPROVED, CONFORMING TO UL STD. 325 & ANSI-BHMA STD. A156.10 CERTIFIED TO CAN. CSA STD. C22.2#24-93 AS MANUFACTURED BY HUNTER ACCESS TECHNOLOGIES INC.

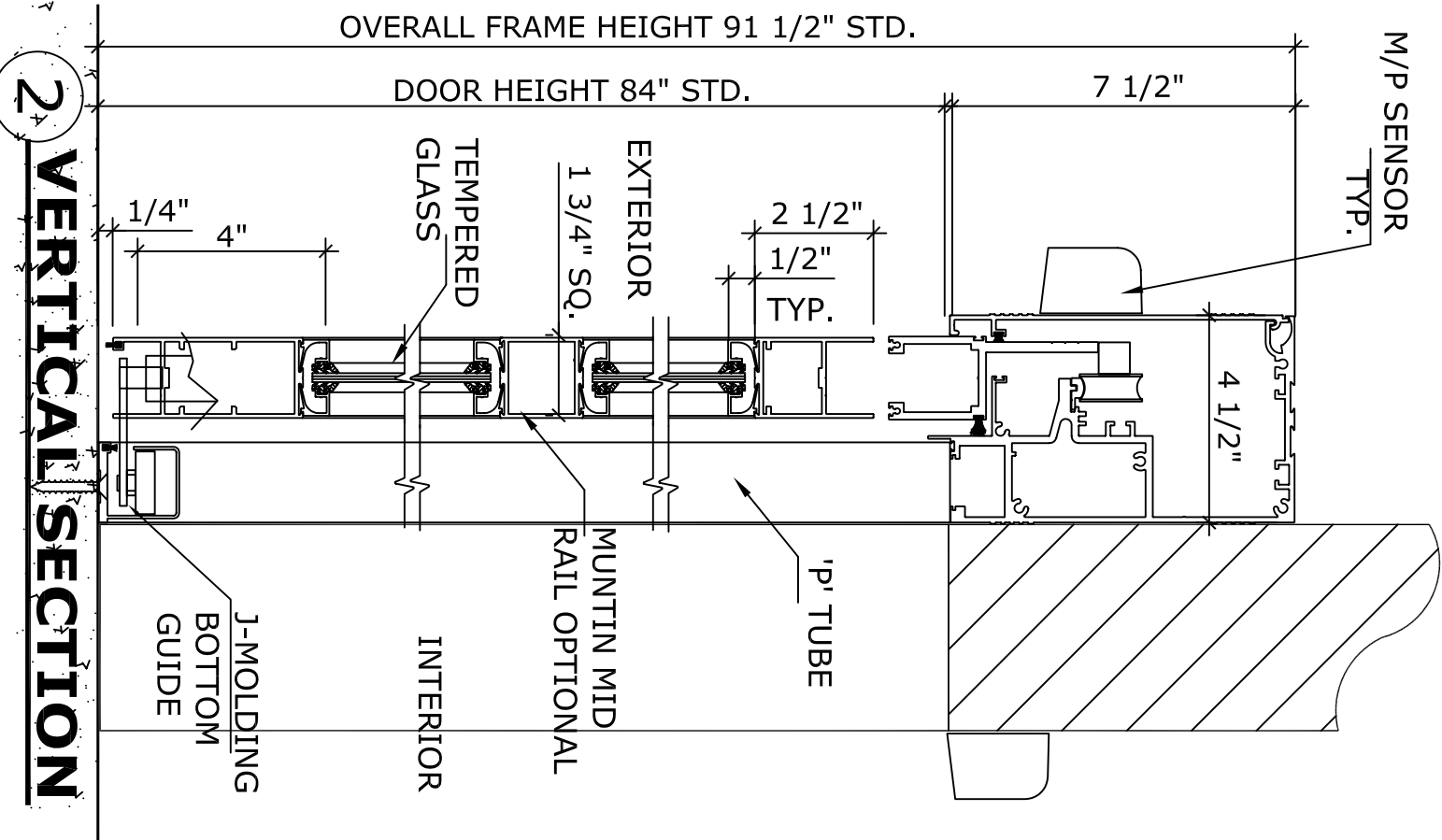
STANDARD FINISH: ANODIZED, CLEAR; DARK BRONZE; SPECIAL FINISHES ARE AVAILABLE

UNIT DESCRIPTION

DOOR TYPE:	OVERALL FRAME WIDTH	FINISHED OPENING WIDTH	ACTIVE PANEL WIDTH	NET DOOR OPENING	BREAK OUT DIM'N
DS18-1-SFL-	84"	40 1/4"	42"	36 1/2"	40 1/4"
SFL-7	84"	40 1/4"	42"	36 1/2"	40 1/4"
SFL-8	96"	46 1/4"	48"	42 1/2"	46 1/4"
SFL-9	108"	52 1/4"	54"	48 1/2"	52 1/4"
KEY (INCHES)	2(B+1 3/4) (A/2-1 3/4)	(A/2-1 3/4)	(B+1 3/4)	(B-3 3/4)	(A/2-1 3/4)

REFER TO RELEVANT (LOCAL, STATE, NATIONAL OR AHJ) BUILDING CODE FOR MIN DOOR HEIGHT & MIN/MAX WIDTH ALLOWABLE FOR EGRESS REQUIREMENT.

APPLICATION:
DS-18-1-SFL. SURFACE MOUNT LEFT HAND, AUTOMATIC SLIDING DOOR SYSTEM.



2 VERTICAL SECTION

NOTE:
HUNTER ACCESS TECHNOLOGIES INC. RESERVES THE RIGHT TO CHANGE & IMPROVE IT'S PRODUCTS & SPECIFICATIONS WITHOUT NOTICE.



SHEET TITLE:	ARCHITECT:	SHEET NO.:
CONTRACTOR:	DRAWN BY:	10
SCALE:	DATE:	SECTION
		DS