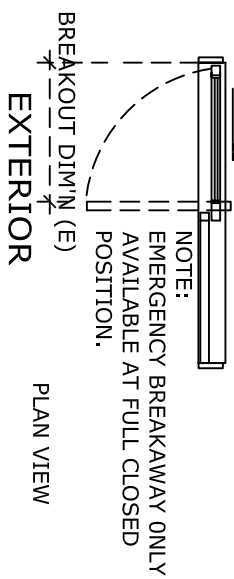
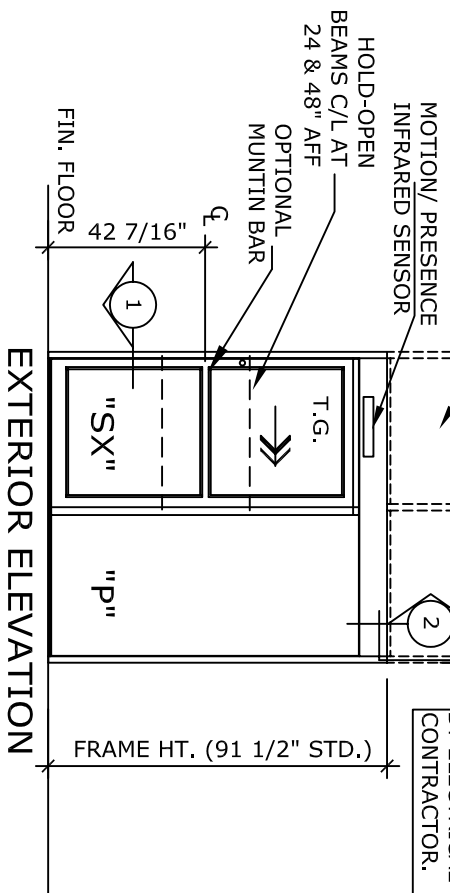


TRANSOM FRAMING OPTIONAL
OVERALL F.W. (VARIES)
ELECTRICAL SERVICE 120 VAC, 60 HZ, 15A TO JUNCTION BOX BY ELECTRICAL CONTRACTOR.



NOTE:
AUTOMATIC SLIDING DOOR OPERATOR SHALL BE "DS-18" CUL USA APPROVED, CONFORMING TO UL STD. 325 & ANSI-BHMA STD. A156.10 CERTIFIED TO CAN. CSA STD. C22.2#24-93 AS MANUFACTURED BY HUNTER ACCESS TECHNOLOGIES INC.

APPLICATION:
DS-18-1-RVR. SURFACE MOUNT REVERSE BREAKOUT, RIGHT HAND, AUTOMATIC SLIDING DOOR SYSTEM.

UNIT DESCRIPTION

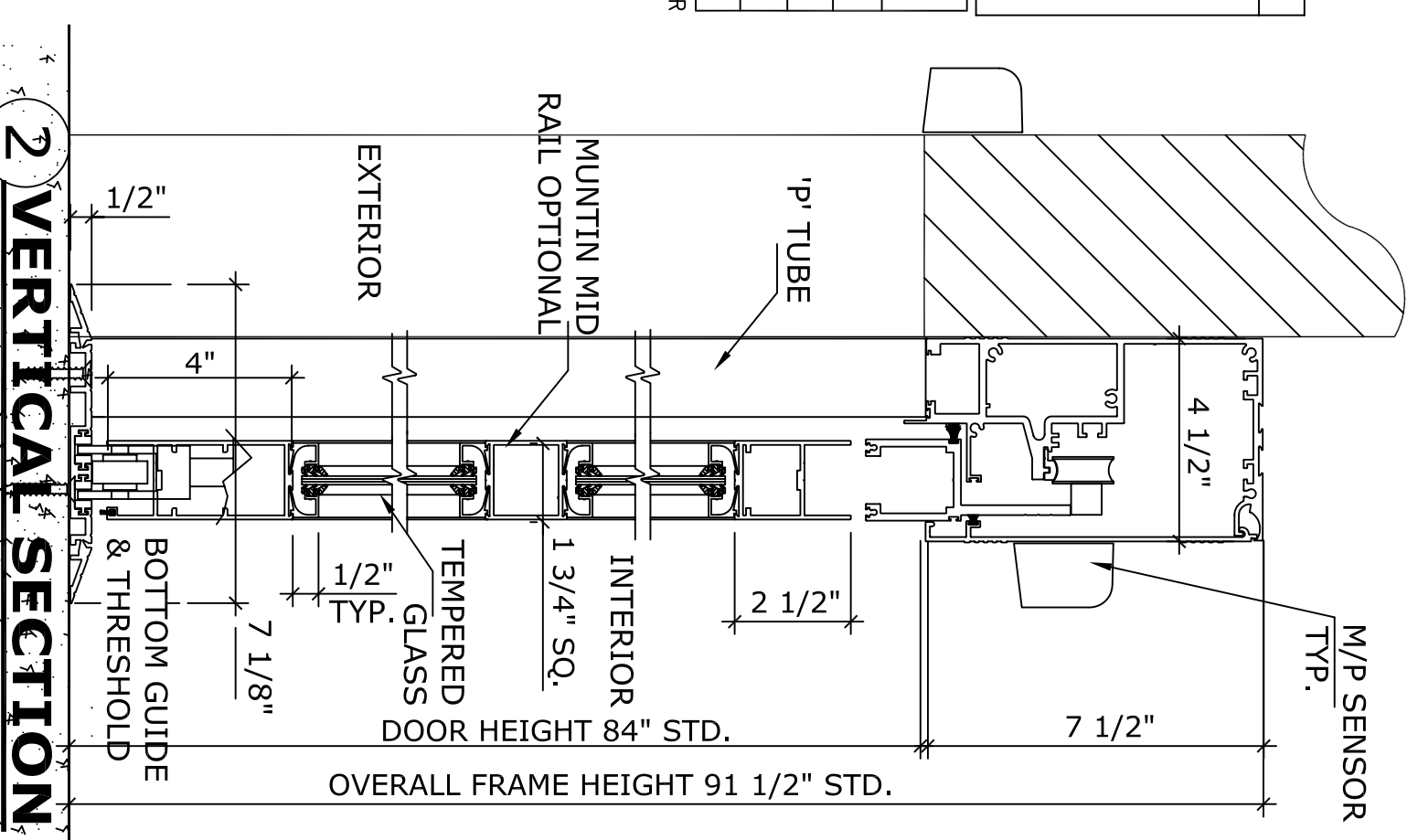
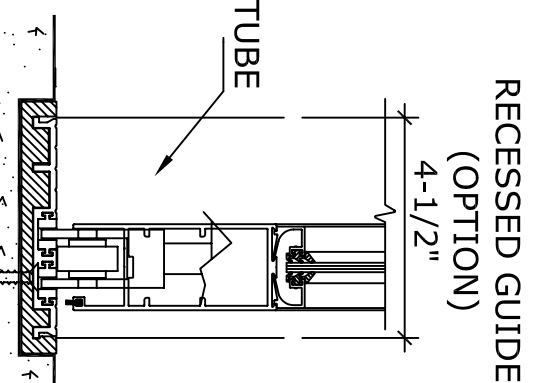
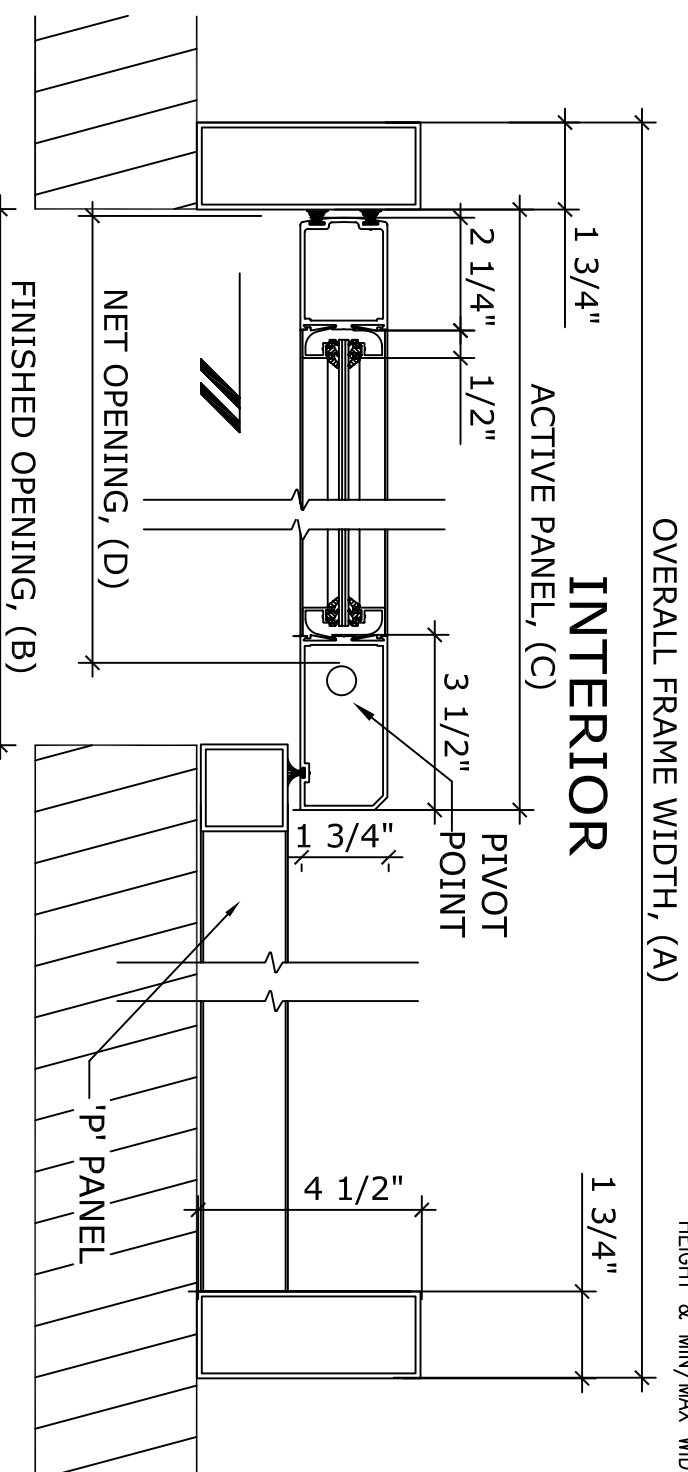
HUNTER DS-18-1-RVR

SX-P : SURFACE MOUNT REVERSE BREAKOUT NARROW STILE WITH 'P' PANEL SINGLE SLIDE DOOR SYSTEM.

STD. PACKAGE SHALL INCLUDE AUTOMATIC OPERATOR, FRAME AND DOORS WITH MUNTIN, 4" BOTTOM RAILS WITH CONCEALED SWEEP, BRUSH-PILE WEATHER STRIPPING, EMERGENCY BREAKAWAY, MS LOCK, GLAZING STOPS FOR 1/4" TEMPERED GLASS. BOTTOM GUIDE SYSTEM SHALL BE PART OF FULL WIDTH THRESHOLD, DUAL DOORWAY SAFETY BEAMS, 3-POSITION SWITCH & MOTION/PRESENCE SENSORS.

DOOR TYPE:	OVERALL FRAME WIDTH A	FINISHED OPENING WIDTH B	ACTIVE PANEL WIDTH C	NET DOOR OPENING D	BREAK OUT DIM'N E
DS18-1-RVR-	84"	41"	42 1/4"	37 1/4"	38 3/4"
RVR-7	84"	41"	42 1/4"	37 1/4"	38 3/4"
RVR-8	96"	47"	48 1/4"	43 1/4"	44 3/4"
RVR-9	108"	53"	54 1/4"	49 1/4"	50 3/4"
KEY (INCHES)	2(B+1)	(A/2-1)	(B+1 1/4)	(B-3 3/4)	(B-2 1/4)

REFER TO RELEVANT (LOCAL, STATE, NATIONAL OR AHJ) BUILDING CODE FOR MIN DOOR HEIGHT & MIN/MAX WIDTH ALLOWABLE FOR EGRESS REQUIREMENT.



1 HORIZONTAL SECTION

2 VERTICAL SECTION

NOTE:
HUNTER ACCESS TECHNOLOGIES INC. RESERVES THE RIGHT TO CHANGE & IMPROVE IT'S PRODUCTS & SPECIFICATIONS WITHOUT NOTICE.

Hunter
ACCESS TECHNOLOGIES INC.
125 KENYON DRIVE
SUITE #3
LAKEWOOD, NJ 08701
TEL. 732-942-6099
FAX. 732-942-6033
www.hunteraccesstechnologies.com

SHEET TITLE:	SHEET NO. 14
ARCHITECT:	SECTION DS
CONTRACTOR:	SCALE:
DRAWN BY:	DATE: