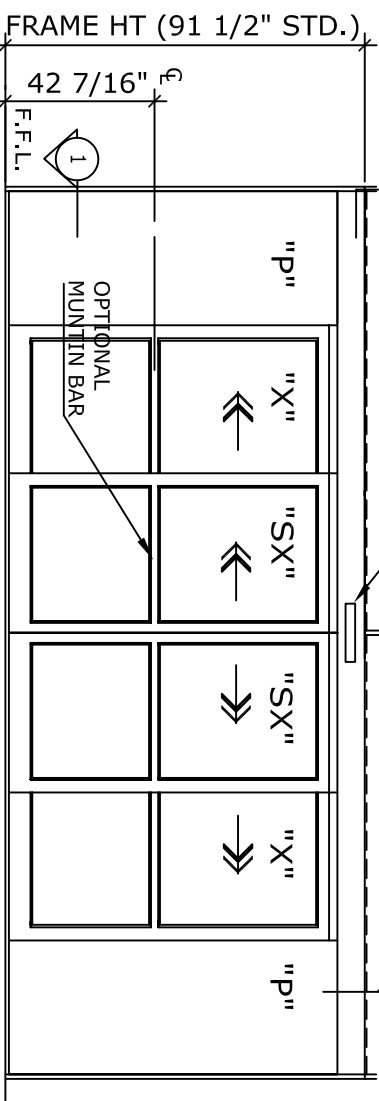
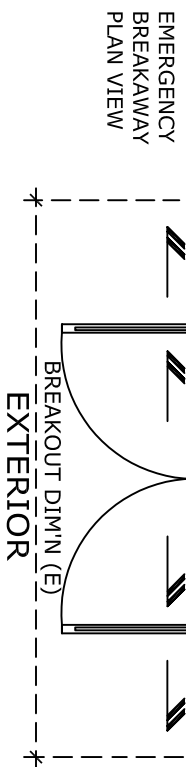


ELECTRICAL SUPPLY
120 VAC, 60 HZ, 15A
BY ELECTRICAL
CONTRACTOR
TO JUNCTION BOX

OVERALL FRAME WIDTH (VARIES)



EXTERIOR ELEVATION



INTERIOR

DOOR TYPE: DS-18-6-TSFL	OVERALL FRAME A WIDTH	FINISHED OPENING B WIDTH	EQUAL PANELS C WIDTH	NET DOOR D OPENING	MAX B/OUT E DIM'N
TSFL-9	152"	96"	26 1/4"	84 1/2"	92"
TSFL-10	170"	108"	29 1/4"	96 1/2"	104"
TSFL-11	188"	120"	32 1/4"	108 1/2"	116"
TSFL-12	206"	132"	35 1/4"	120 1/2"	128"
KEY (INCHES)	224" (3B/2+8)	144" (A-8)2/3	38 1/4" (B/4+2 1/4)	132 1/2" (B-11 1/2)	140" (B-4)

REFER TO RELEVANT (LOCAL, STATE, NATIONAL OR AHJ) BUILDING CODE FOR MIN DOOR HEIGHT & MIN/MAX WIDTH ALLOWABLE FOR EGRESS REQUIREMENT.

NOTE:
AUTOMATIC SLIDING DOOR OPERATOR SHALL BE "DS-18"
CUL USA APPROVED, CONFORMING TO UL STD. 325 &
ANSI-BHMA STD. A156.10 CERTIFIED TO CAN. CSA STD.
C22.2#24-93 AS MANUFACTURED BY HUNTER ACCESS
TECHNOLOGIES INC.

STANDARD FINISH: ANODIZED, CLEAR; DARK BRONZE;
SPECIAL FINISHES ARE AVAILABLE

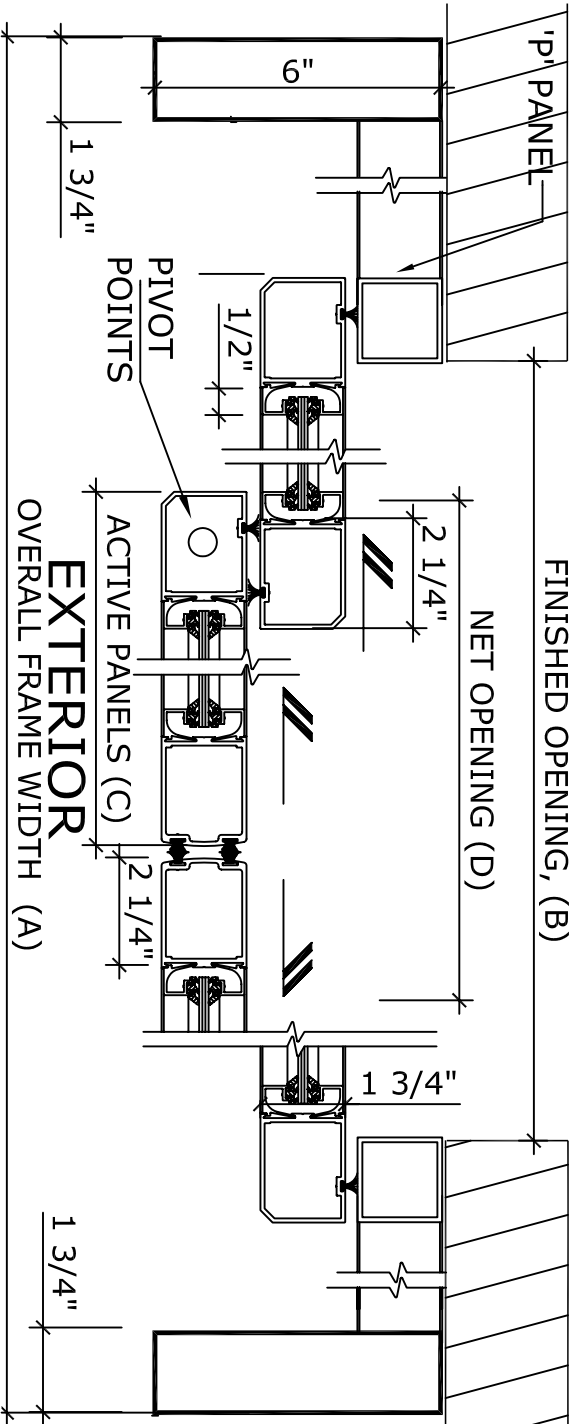
UNIT DESCRIPTION

HUNTER DS-18-6-TSFL
P-X-SX-SX-X-P : SURFACE MOUNTED TELESCOPIC SLIDER
BI-PART SYSTEM WITH "P" PANEL, NARROW STILE DOORS.

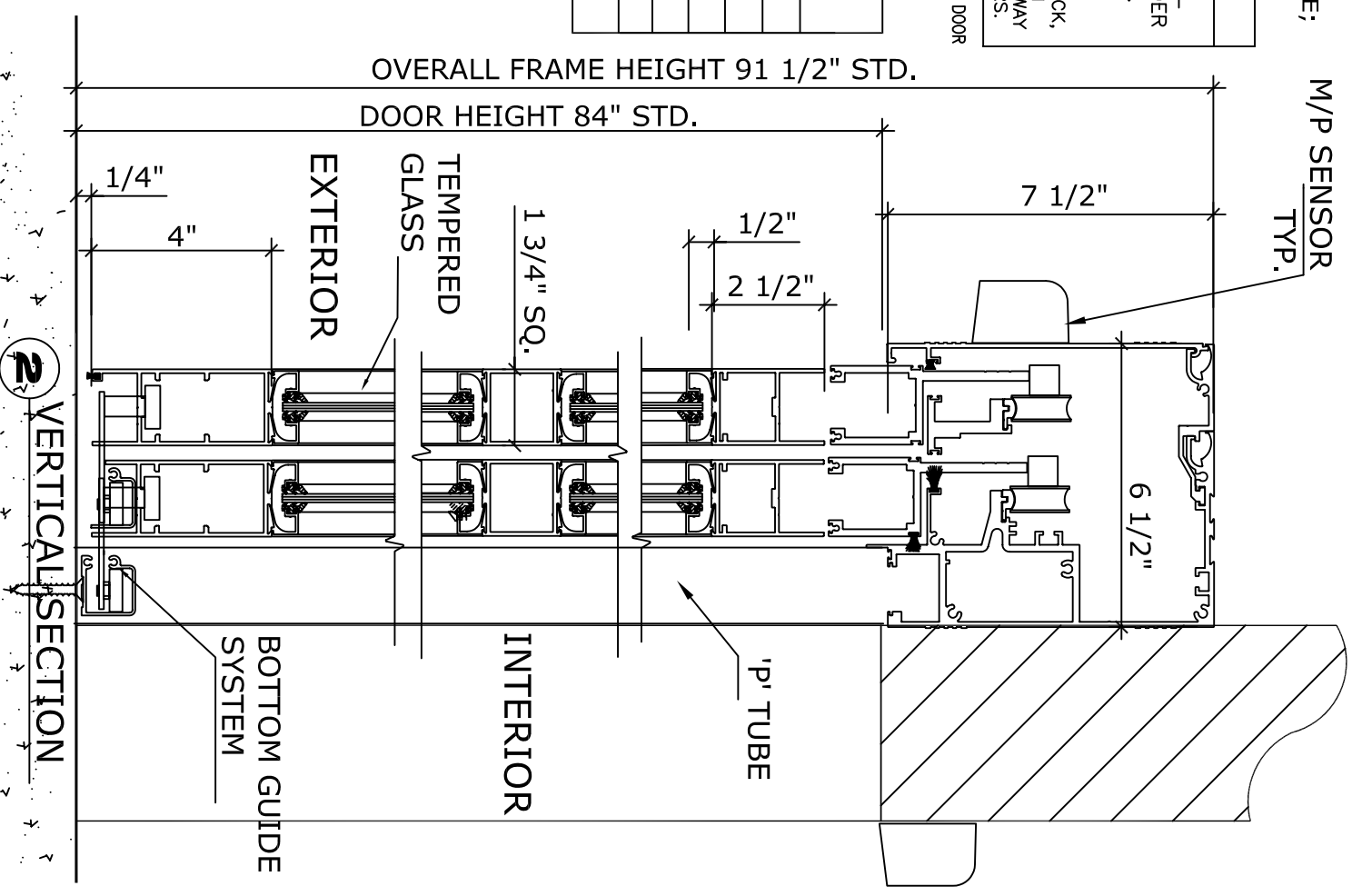
STD. PACKAGE SHALL INCLUDE AUTOMATIC OPERATOR, FRAME AND
DOORS WITH MUNTIN, 4" BOTTOM RAILS WITH CONCEALED SWEEP,
BRUSH-PILE WEATHER STRIPPING, EMERGENCY BREAKAWAY, MS LOCK,
GLAZING STOPS FOR 1/4" TEMPERED GLASS, DOOR GUIDE SYSTEM
SHALL BE CONCEALED IN BOTTOM HORIZONTAL RAILS, DUAL DOORWAY
SAFETY BEAMS, 3-POSITION SWITCH & MOTION/PRESENCE SENSORS.

APPLICATION:
DS-18-6-TSFL. TELESCOPIC SURFACE MOUNT
BI-PART, AUTOMATIC SLIDING DOOR SYSTEM.

M/P SENSOR
TYP.



HORIZONTAL SECTION



VERTICAL SECTION

NOTE:
HUNTER ACCESS TECHNOLOGIES INC. RESERVES
THE RIGHT TO CHANGE & IMPROVE ITS
PRODUCTS & SPECIFICATIONS WITHOUT NOTICE.



125 KENYON DRIVE
SUITE #3
LAKEWOOD, NJ 08701
TEL. 732-942-6099
FAX. 732-942-6033
www.hunteraccesstechnologies.com

SHEET TITLE:

ARCHITECT:

CONTRACTOR:

DETAIL SCALE

DRAWN BY

DATE

SHEET NO.

24

SECTION

DS