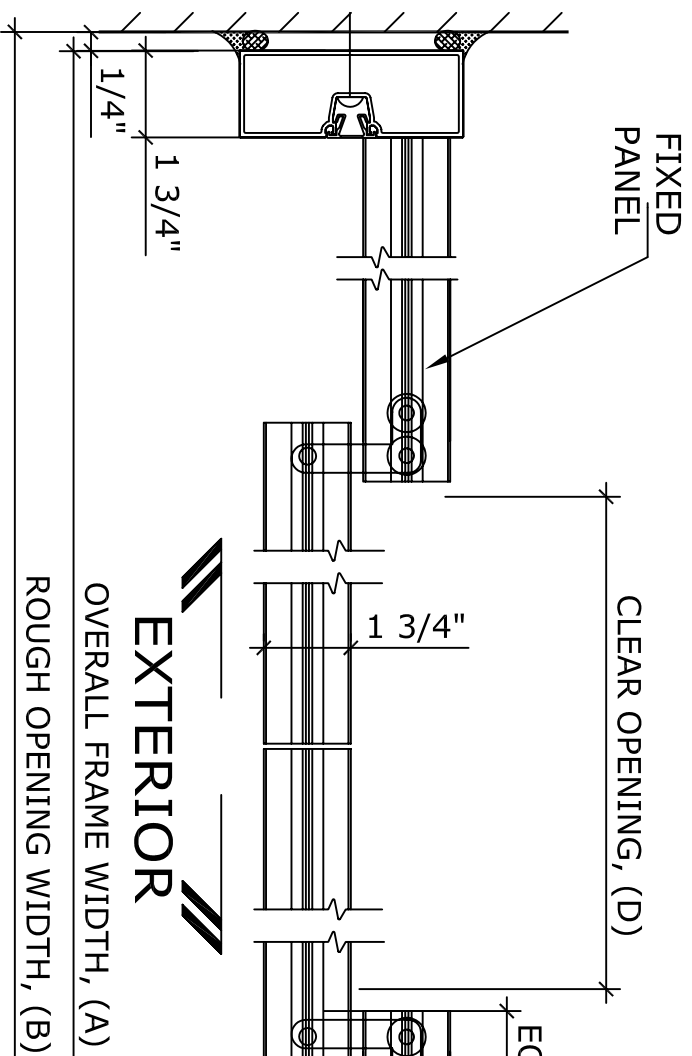
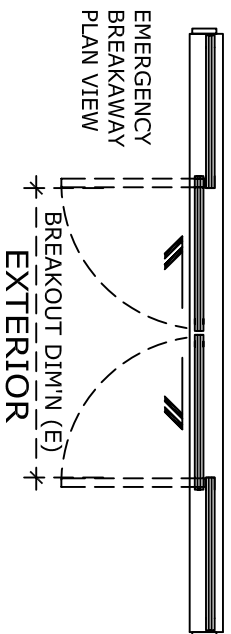
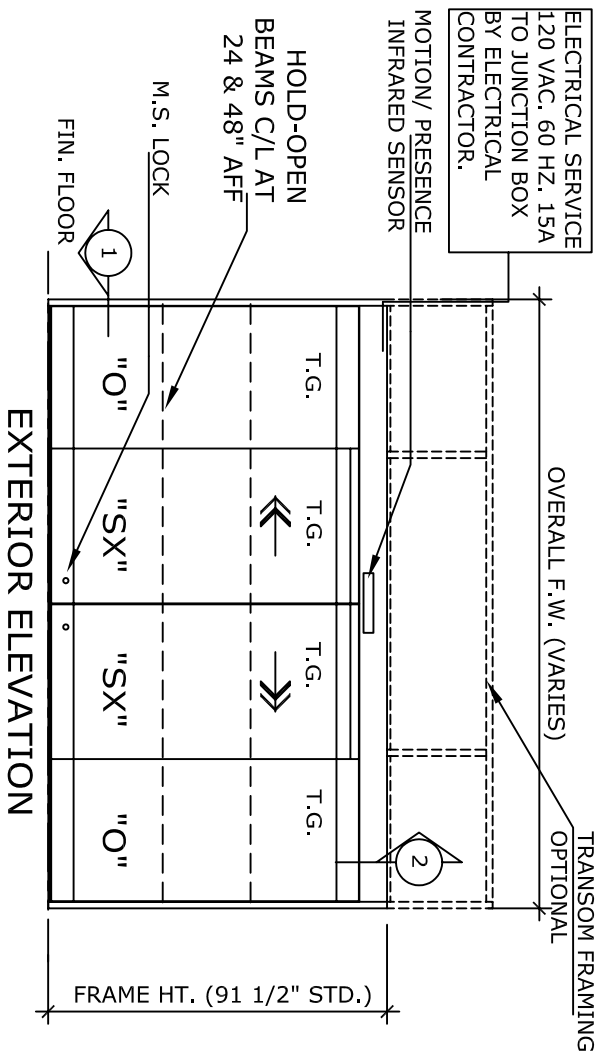


ELECTRICAL SERVICE
120 VAC, 60 HZ, 15A
TO JUNCTION BOX
BY ELECTRICAL
CONTRACTOR.



1 HORIZONTAL SECTION

NOTE:
AUTOMATIC SLIDING DOOR OPERATOR SHALL BE "DS-18" CUL USA APPROVED, CONFORMING TO UL STD. 325 & ANSI-BHMA STD. A156.10 CERTIFIED TO CAN. CSA STD. C22.2#24-93 AS MANUFACTURED BY HUNTER ACCESS TECHNOLOGIES INC.

STANDARD FINISH: ANODIZED, CLEAR; DARK BRONZE; SPECIAL FINISHES ARE AVAILABLE

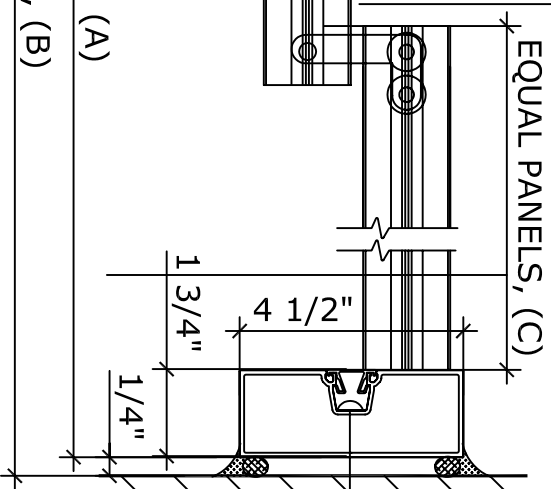
UNIT DESCRIPTION

HUNTER DS-18-2-G

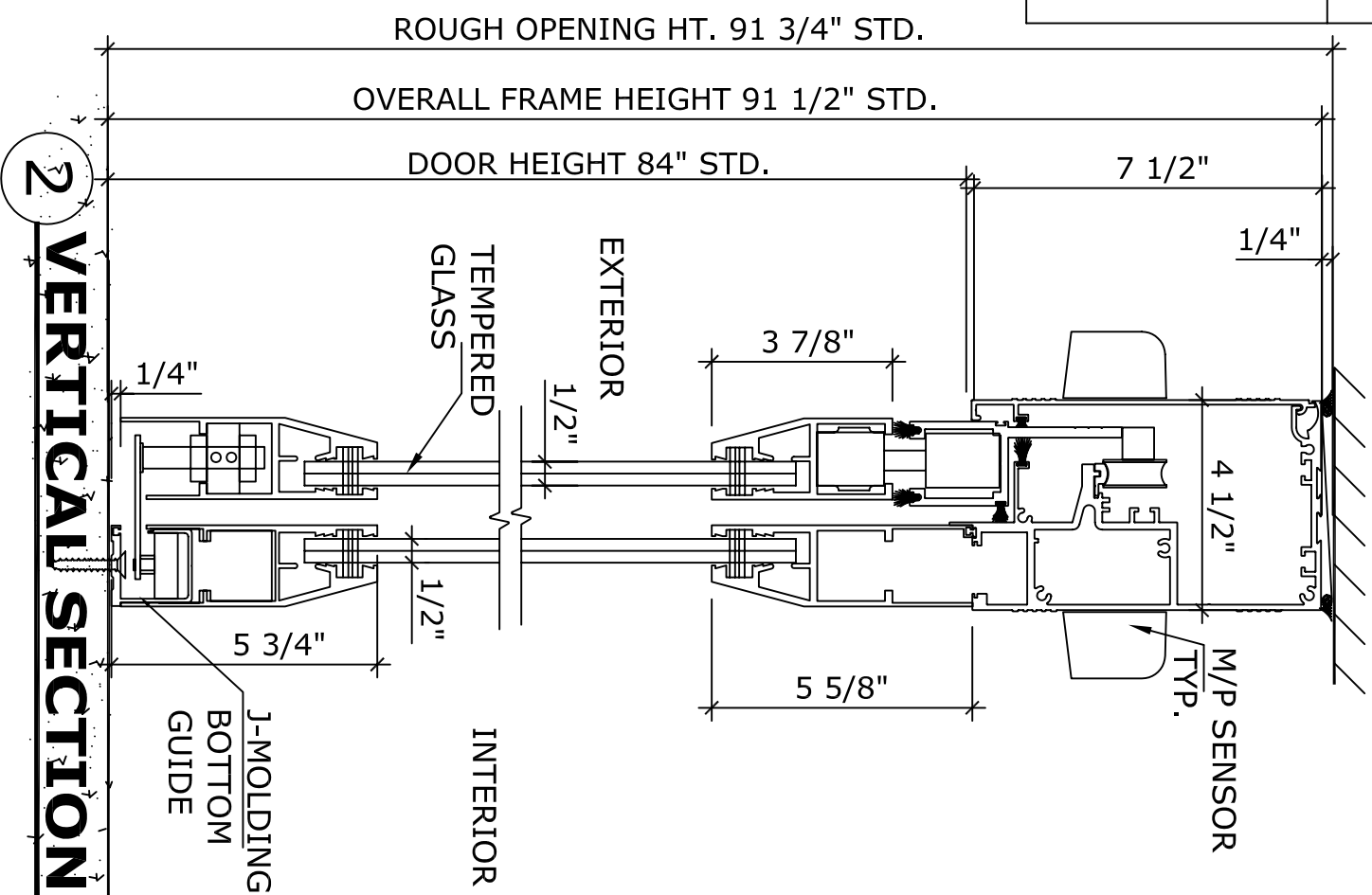
0-SX-SX-0 : OVERHEAD CONCEALED FIXED SIDELITE BI-PART SLIDING DOOR SYSTEM, ALL GLASS STILE DOORS. STD. PACKAGE SHALL INCLUDE AUTOMATIC OPERATOR, FRAME AND DOORS, 5 5/8" HORIZONTAL RAILS WITH SWEEPS, BRUSH-PILE WEATHER STRIPPING, EMERGENCY BREAKAWAY, GLAZING SHOES FOR 1/2" T.G., FLOOR LOCKING MS LOCK, CONCEALED BOTTOM GUIDE IN 'J' MOLDING OF FIXED PANEL, DUAL DOORWAY SAFETY BEAMS, 3-POSITION SWITCH & MOTION/PRESENCE SENSORS.

DOOR TYPE: DS18-2-G-	OVERALL FRAME WIDTH	ROUGH OPENING WIDTH	EQUAL PANELS WIDTH	NET DOOR OPENING	BREAK OUT DIM'N
G-8	96"	96 1/2"	24"	41 1/2"	44 1/2"
G-10	120"	120-1/2"	30"	53 1/2"	56 1/2"
G-12	144"	144-1/2"	36"	65 1/2"	68 1/2"
G-14	168"	168-1/2"	42"	77 1/2"	80 1/2"
G-16	192"	192-1/2"	48"	89 1/2"	92 1/2"

REFER TO RELEVANT (LOCAL, STATE, NATIONAL OR AHJ) BUILDING CODE FOR MIN DOOR HEIGHT & MIN/MAX WIDTH ALLOWABLE FOR EGRESS REQUIREMENT.



APPLICATION:
DS-18-2-G. ALL GLASS STILE, BI-PART, AUTOMATIC SLIDING DOOR SYSTEM.



2 VERTICAL SECTION

NOTE:
HUNTER ACCESS TECHNOLOGIES INC. RESERVES THE RIGHT TO CHANGE & IMPROVE IT'S PRODUCTS & SPECIFICATIONS WITHOUT NOTICE.



125 KENYON DRIVE
SUITE #3
LAKEWOOD, NJ 08701
TEL. 732-942-6099
FAX. 732-942-6033
www.hunteraccesstechnologies.com

SHEET TITLE:

ARCHITECT:

CONTRACTOR:

SCALE:

DRAWN BY:

DATE:

SHEET NO. **9**

SECTION

DS