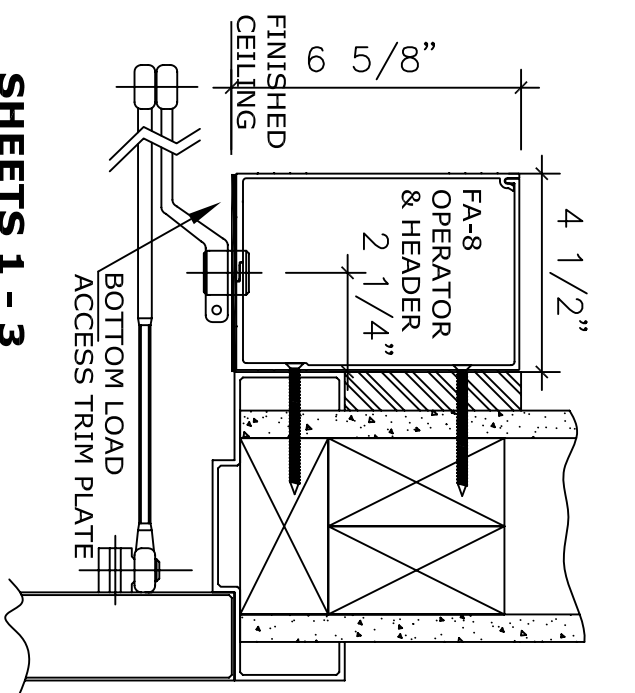


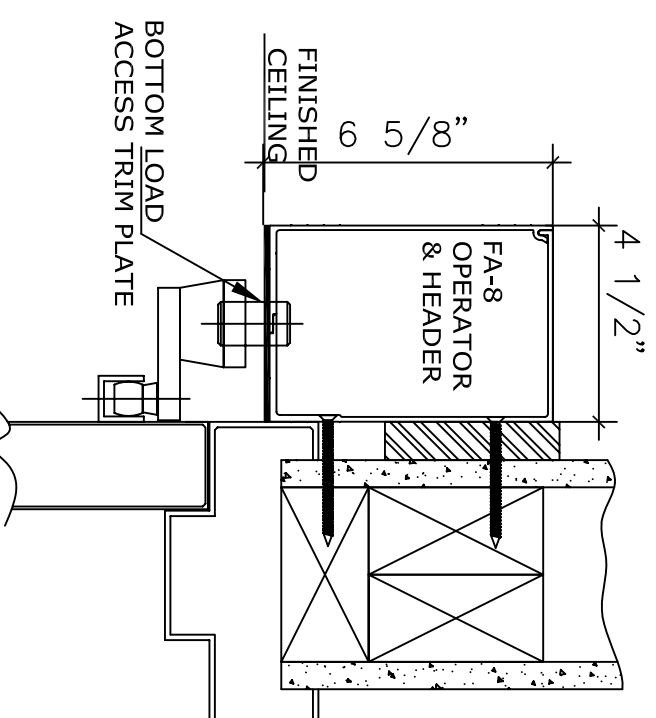
APPLICATION:
**FA-8-1-BL FULLY AUTOMATIC
 BOTTOM LOAD UNITS.**

NOTE:
 AUTOMATIC SWING DOOR OPERATOR SHALL BE "FA-8" CETL USA APPROVED, CONFORMING TO UL STD. 325 & ANSI-BHMA STD. A156.10 CERTIFIED TO CAN. CSA STD. C22.2#247 AS MANUFACTURED BY HUNTER ACCESS TECHNOLOGIES INC.
 COMPLETE DOOR SYSTEM MUST MEET ANSI A156.10 STANDARDS

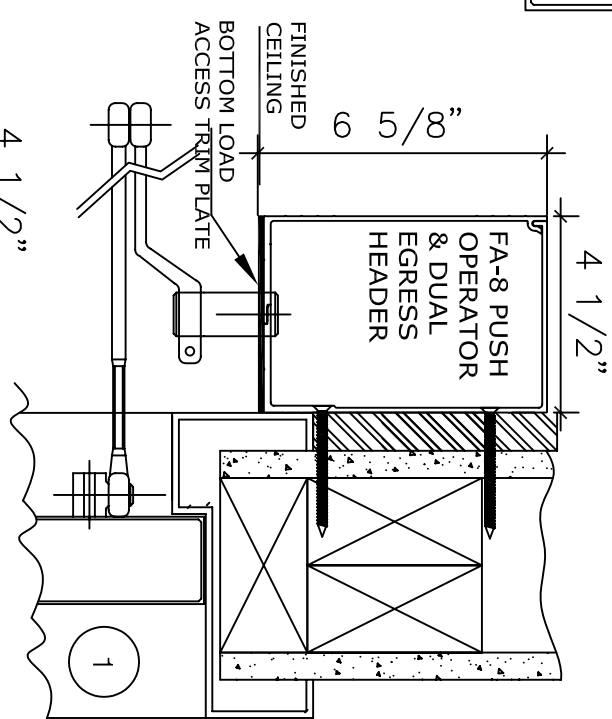
STANDARD FINISH: CLEAR ANODIZE, DARK BRONZE,
 SPECIAL FINISHES ARE AVAILABLE



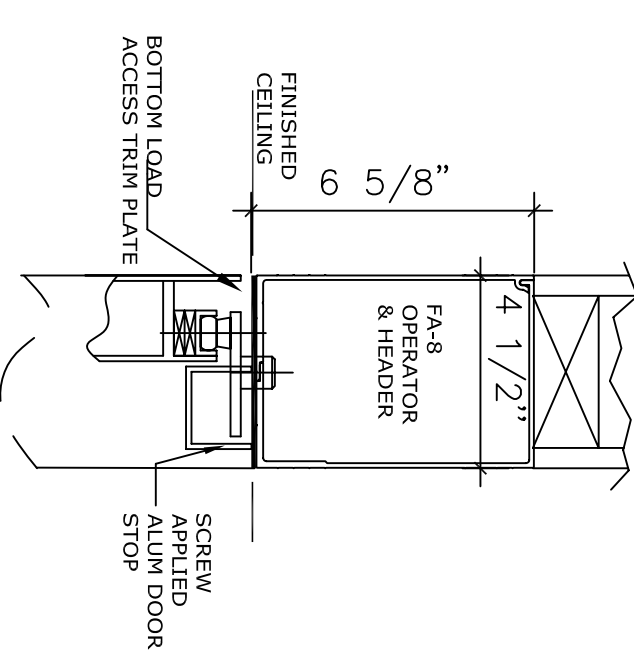
SHEETS 1 - 3



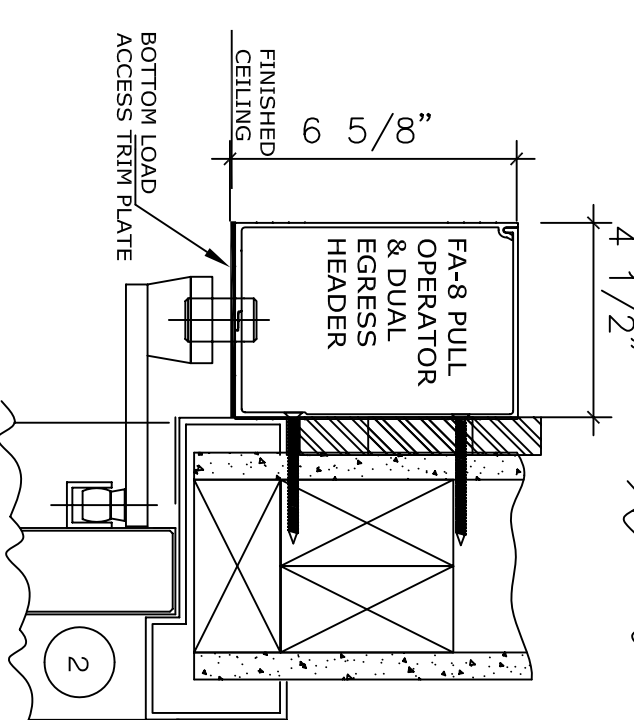
SHEETS 4 - 6



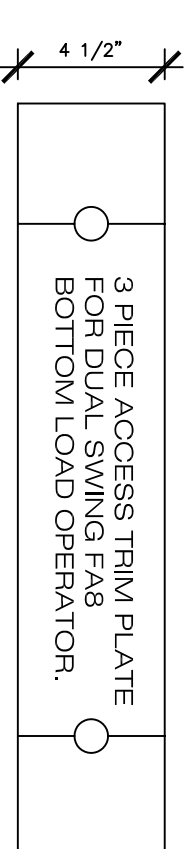
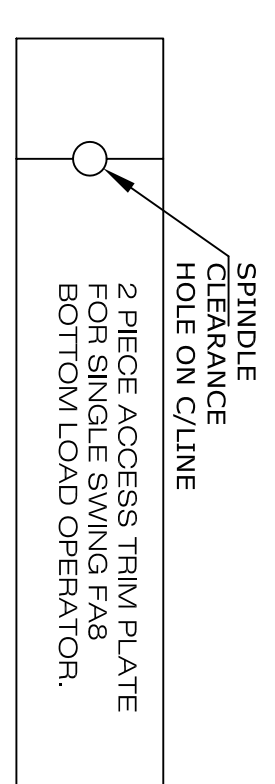
SHEETS 7 - 9



SHEETS 10 - 12



SHEETS 13 - 14



NOTE:
 REFER TO RELATIVE SHEETS (1-14) FOR SPECIFIC FA-8 APPLICATION GUIDELINES.

NOTE:
 HUNTER ACCESS TECHNOLOGIES INC. RESERVES THE RIGHT TO CHANGE & IMPROVE ITS PRODUCTS & SPECIFICATIONS WITHOUT NOTICE.

SHEET TITLE:		SHEET NO.	
ARCHITECT:		15	
CONTRACTOR:		SECTION	
SCALE:	DRAWN BY:	DATE:	FA