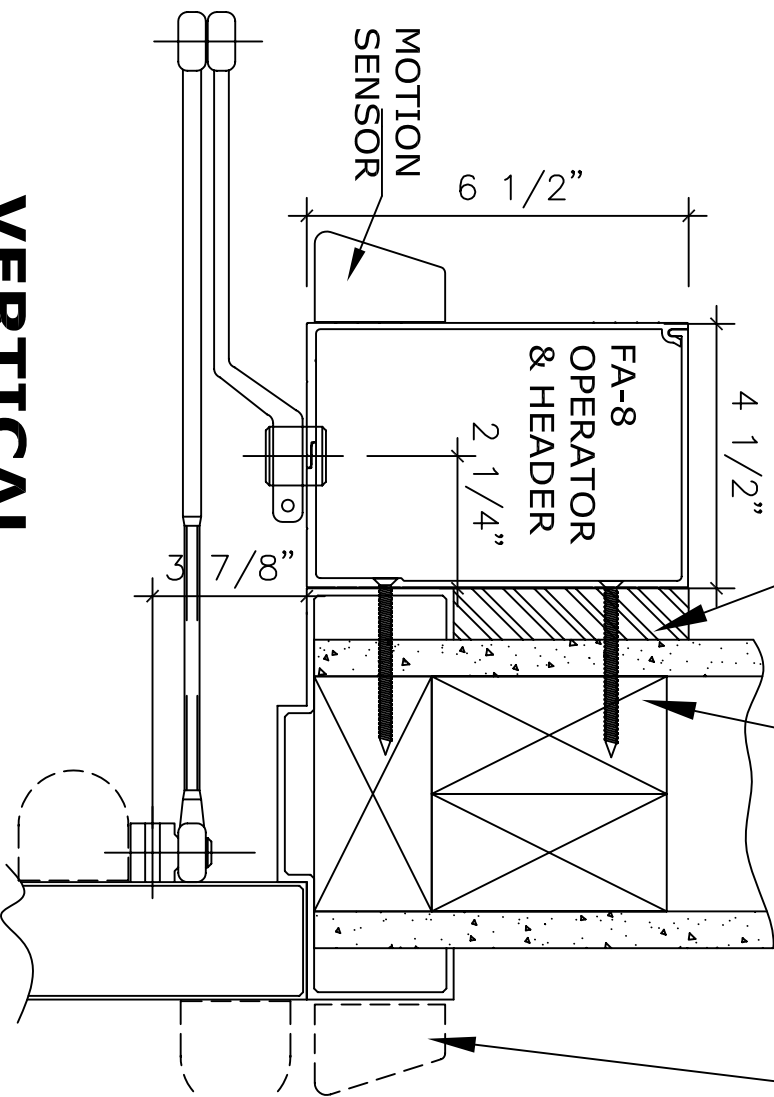


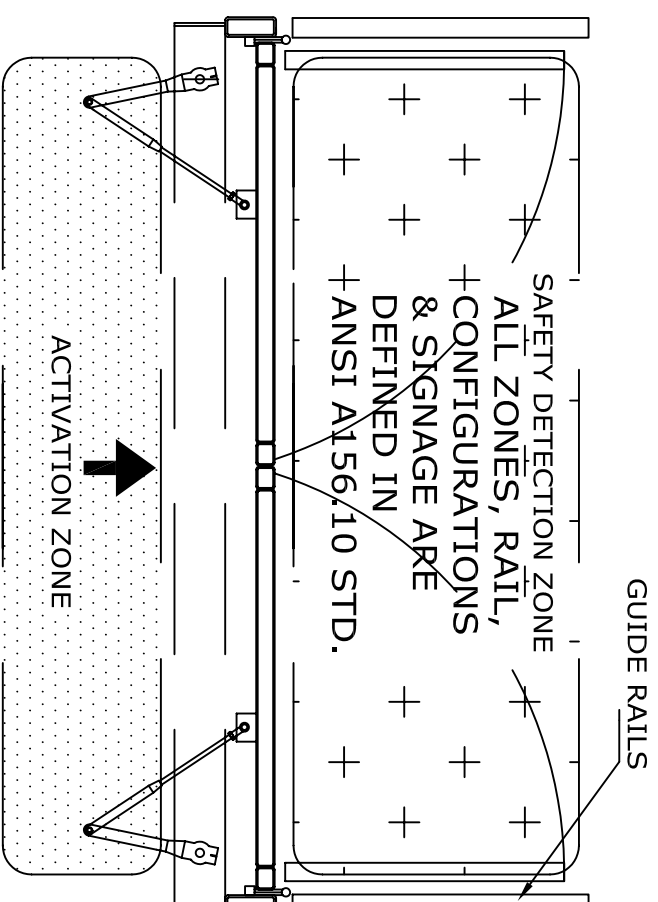
FILLER PLATE
AS REQUIRED.
BY OTHERS

REINFORCEMENT
BY OTHERS

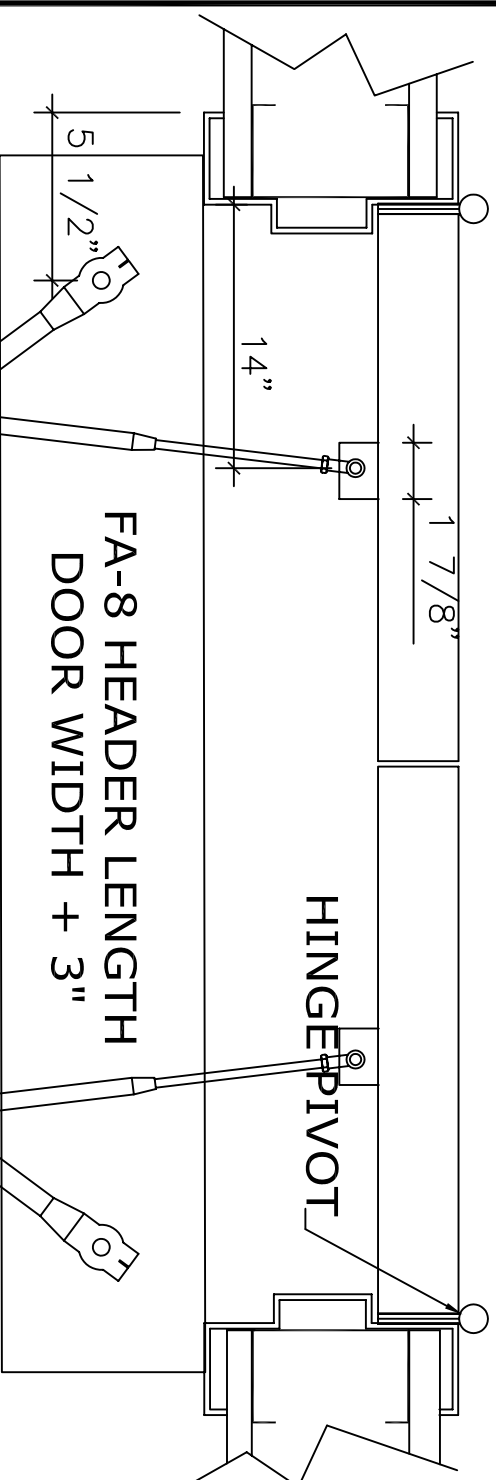
OVERHEAD AND/OR
DOOR MOUNTED
SAFETY SENSORS AS
PER SPECIFICATION.



VERTICAL SECTION



PLAN



APPROACH SIDE

FA-8 HEADER LENGTH
DOOR WIDTH + 3"

HINGE PIVOT

AUTOMATIC DOOR

FIN. FLOOR

APPLICATION:
FA-8-1-5 FULLY AUTOMATIC
PAIR DOORS PUSH.

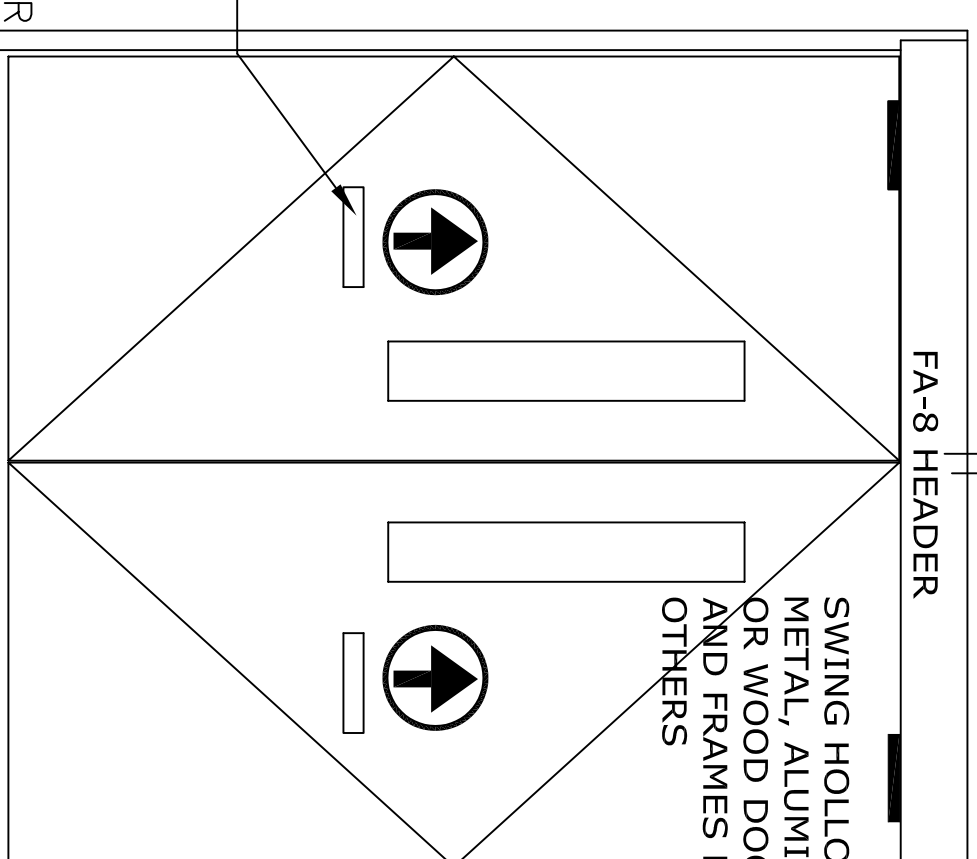
NOTE:
AUTOMATIC SWING DOOR OPERATOR SHALL BE "FA-8" CETL USA APPROVED, CONFORMING TO UL STD. 325 & ANSI-BHMA STD. A156.10 CERTIFIED TO CAN. CSA STD. C22.2#247 AS MANUFACTURED BY HUNTER ACCESS TECHNOLOGIES INC.
COMPLETE DOOR SYSTEM MUST MEET ANSI A156.10 STANDARDS

STANDARD FINISH: CLEAR ANODIZE, DARK BRONZE,
SPECIAL FINISHES ARE AVAILABLE

CONTROLS
120V AC. 60HZ. 15A.
BY ELEC. CONTRACTOR.

FA-8 HEADER

SWING HOLLOW
METAL, ALUMINUM
OR WOOD DOORS
AND FRAMES BY
OTHERS



ELEVATION

HORIZONTAL SECTION

NOTE:
HUNTER ACCESS TECHNOLOGIES INC. RESERVES
THE RIGHT TO CHANGE & IMPROVE IT'S
PRODUCTS & SPECIFICATIONS WITHOUT NOTICE.

Hunter
ACCESS TECHNOLOGIES INC.

125 KENYON DRIVE
SUITE #3
LAKEWOOD, NJ 08701
TEL: 732-942-6099
FAX: 732-942-6033
www.hunteraccess technologies.com

SHEET TITLE:

ARCHITECT:

CONTRACTOR:

SCALE:

DRAWN BY:

DATE:

SHEET NO.

3

SECTION

FA