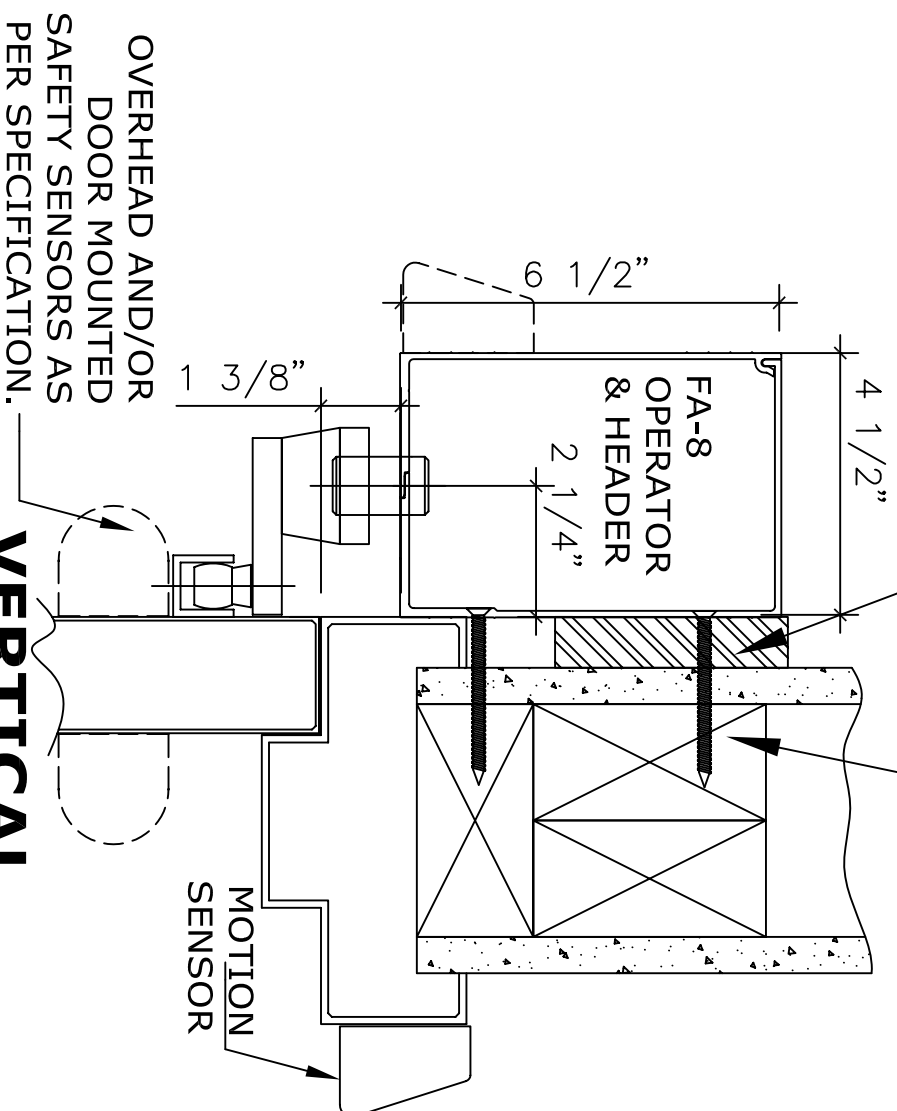
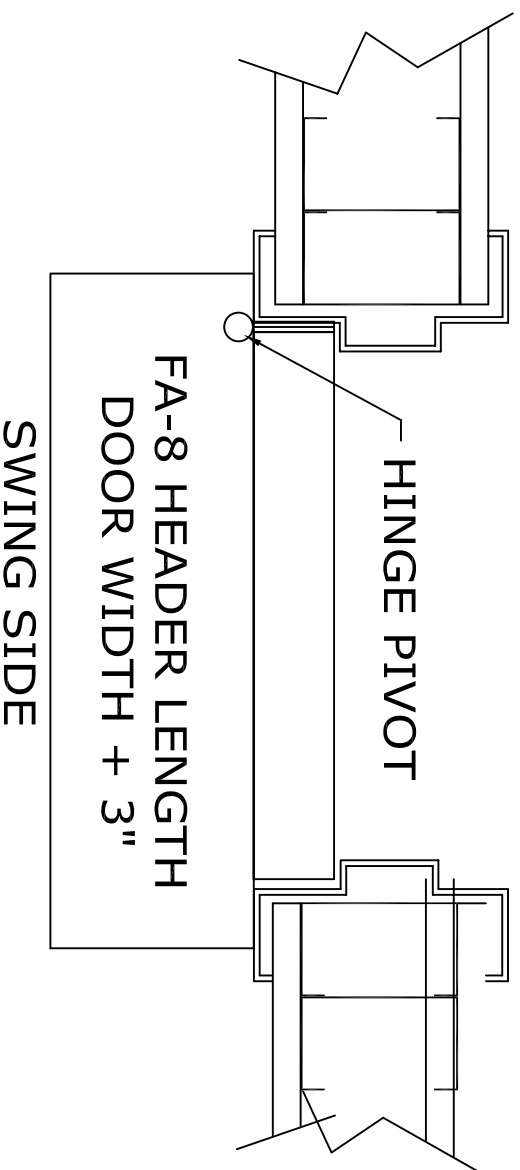


FILLER PLATE
AS REQUIRED.
BY OTHERS

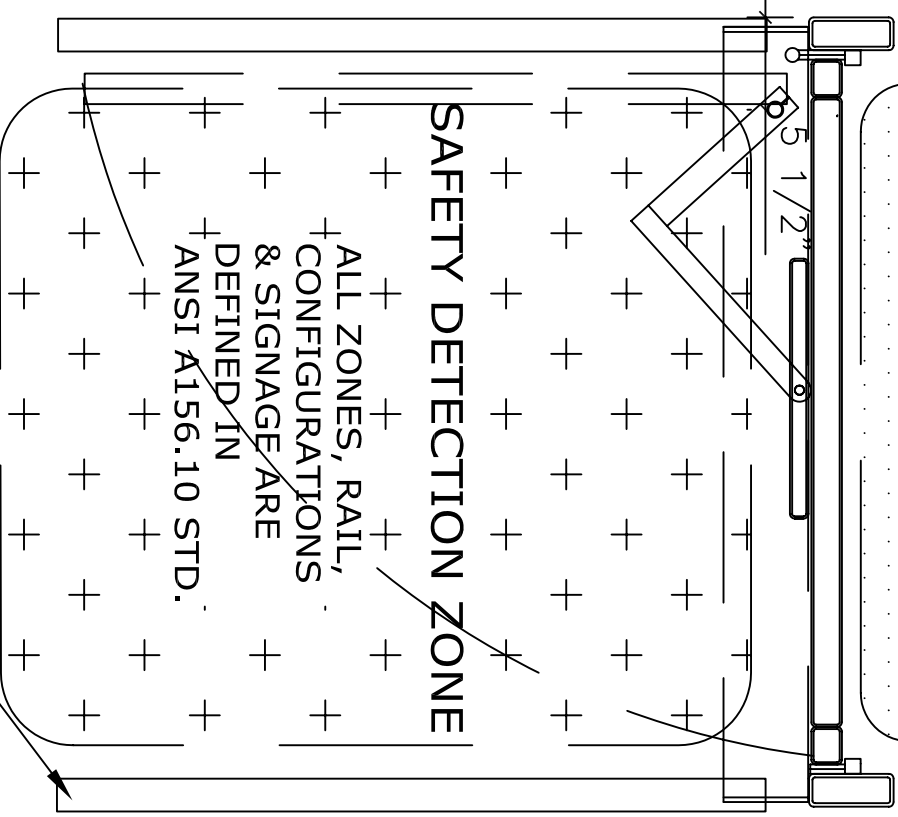
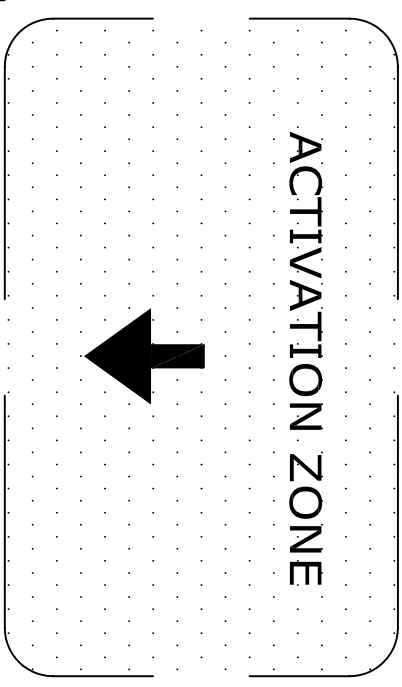
REINFORCEMENT
BY OTHERS



VERTICAL SECTION



HORIZONTAL SECTION

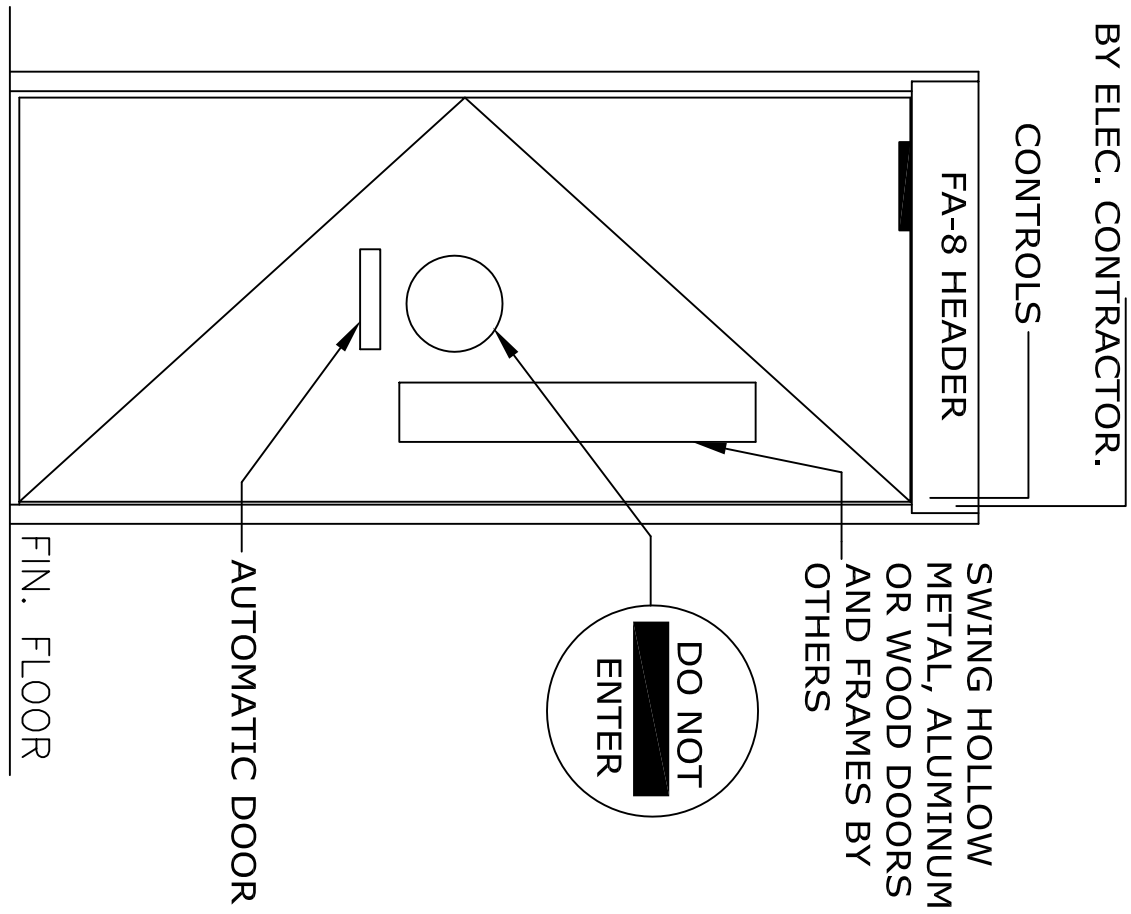


PLAN

APPLICATION:
FA-8-2-3 FULLY AUTOMATIC
RIGHT HAND PULL

NOTE:
AUTOMATIC SWING DOOR OPERATOR SHALL BE "FA-8" CETL USA APPROVED, CONFORMING TO UL STD. 325 & ANSI-BHMA STD. A156.10 CERTIFIED TO CAN. CSA STD. C22.2#247 AS MANUFACTURED BY HUNTER ACCESS TECHNOLOGIES INC.
COMPLETE DOOR SYSTEM MUST MEET ANSI A156.10 STANDARDS
STANDARD FINISH: CLEAR ANODIZE, DARK BRONZE,
SPECIAL FINISHES ARE AVAILABLE

120V AC. 60HZ. 15A.
BY ELEC. CONTRACTOR.



ELEVATION

125 KENYON DRIVE
SUITE #3
LAKEWOOD, NJ 08701
TEL. 732-942-6099
FAX. 732-942-6033
www.hunteraccesstechnologies.com

NOTE:
HUNTER ACCESS TECHNOLOGIES INC. RESERVES
THE RIGHT TO CHANGE & IMPROVE IT'S
PRODUCTS & SPECIFICATIONS WITHOUT NOTICE.

SHEET TITLE:		SHEET NO.	
ARCHITECT:		4	
CONTRACTOR:		SECTION	
SCALE:	DRAWN BY:	DATE:	FA