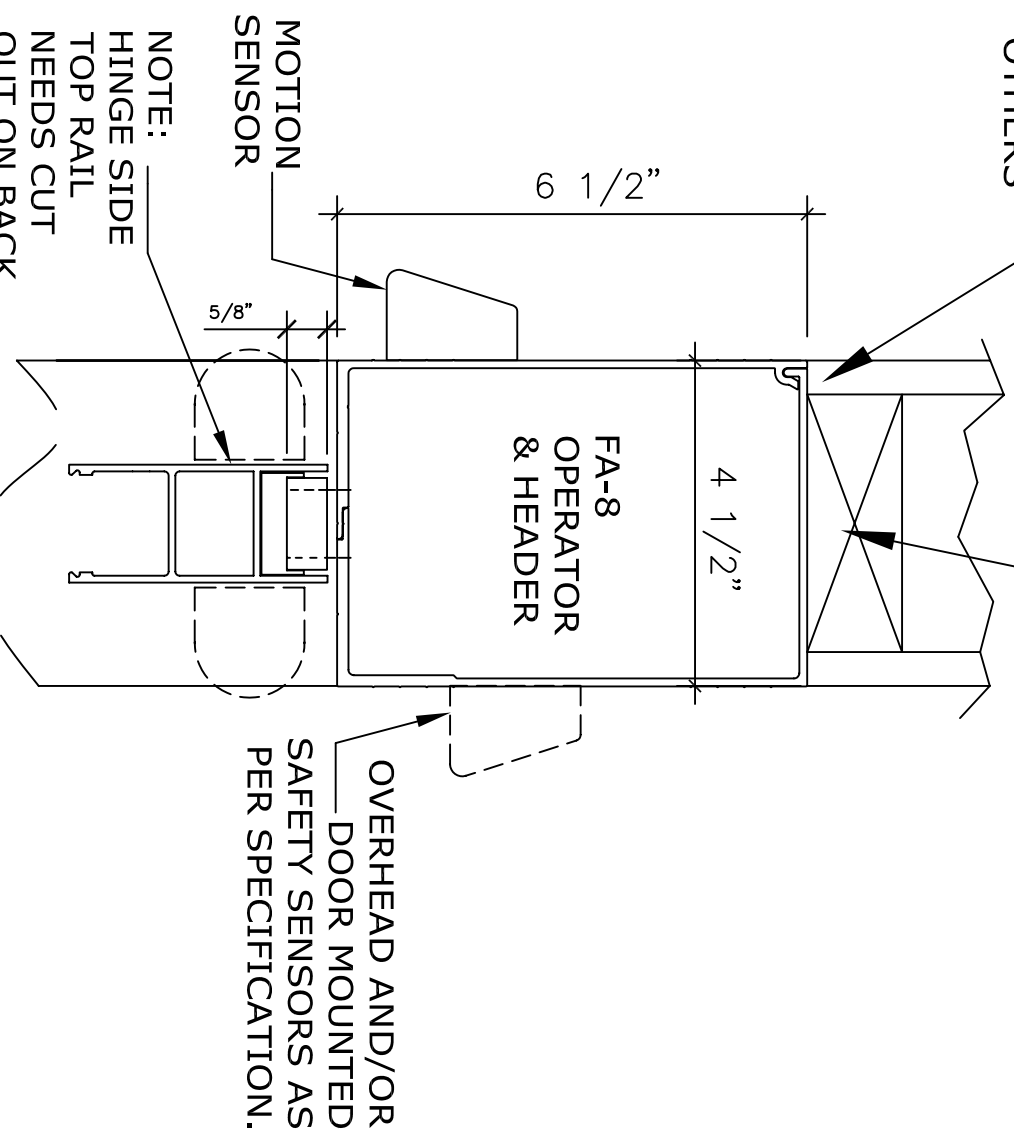


DRYWALL BY OTHERS

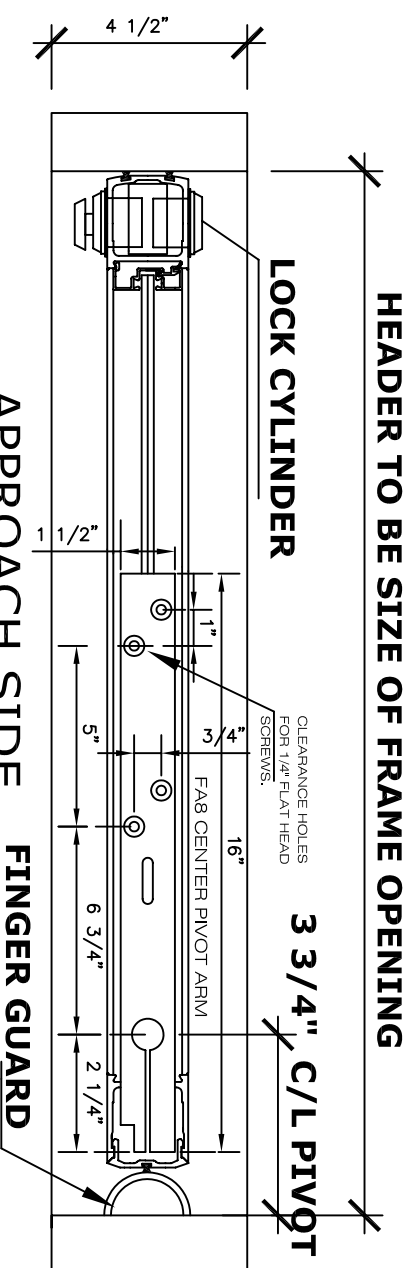
REINFORCEMENT BY OTHERS



NOTE:
HINGE SIDE
TOP RAIL
NEEDS CUT
OUT ON BACK
OF DOOR FOR
OPERATOR ARM
(MIN 1 5/8" X
DEPTH OF WEB)

VERTICAL SECTION

OVERHEAD AND/OR
DOOR MOUNTED
SAFETY SENSORS AS
PER SPECIFICATION.

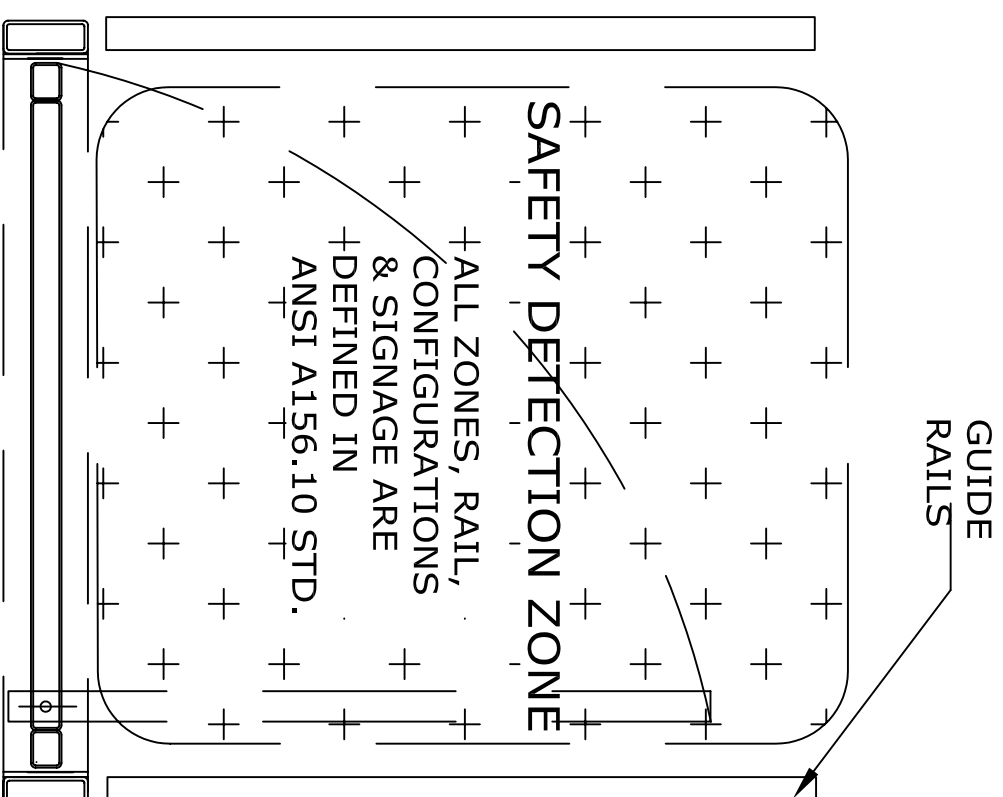


HORIZONTAL SECTION

APPROACH SIDE

FINGER GUARD

NOTE:
HUNTER ACCESS TECHNOLOGIES INC. RESERVES
THE RIGHT TO CHANGE & IMPROVE ITS
PRODUCTS & SPECIFICATIONS WITHOUT NOTICE.



ACTIVATION ZONE

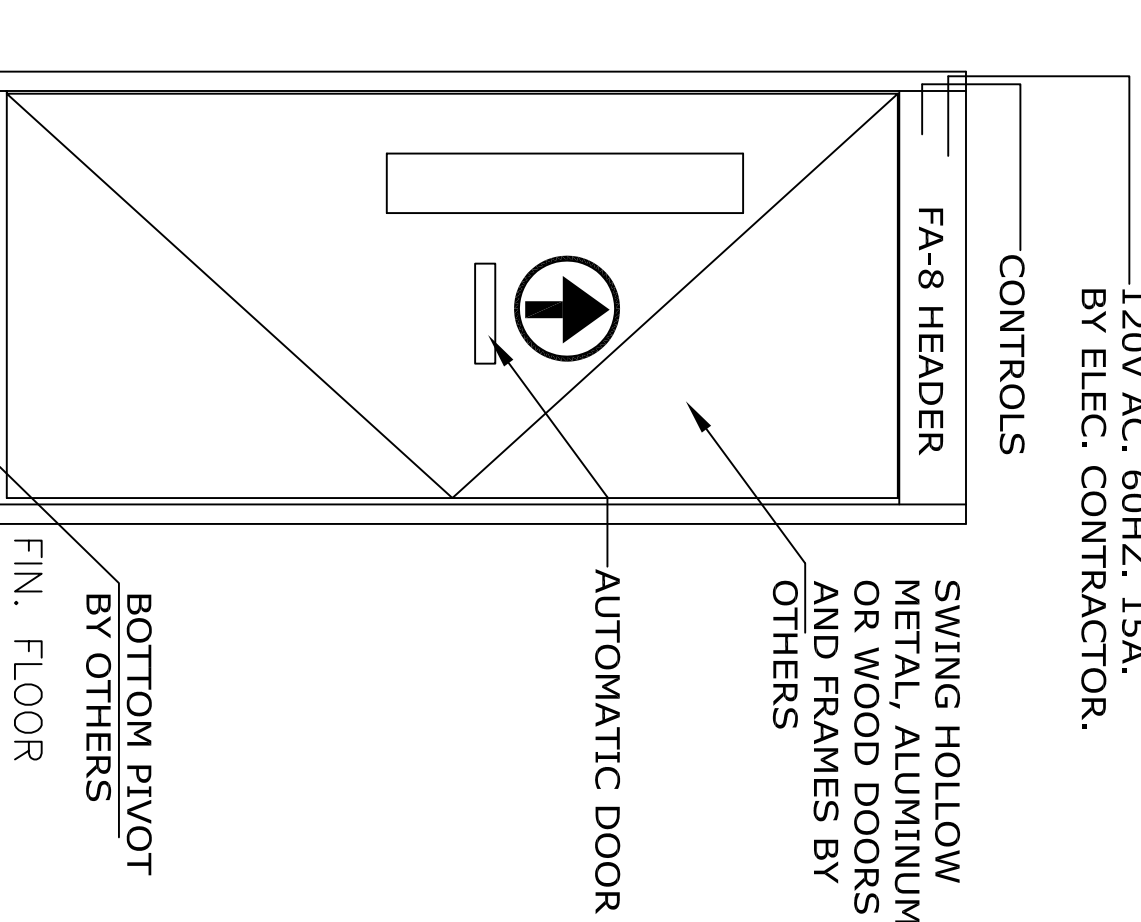
PLAN

APPLICATION:
FA-8-CH-3 FULLY AUTOMATIC
RIGHT HAND CENTER PIVOT.

NOTE:
AUTOMATIC SWING DOOR OPERATOR SHALL BE "FA-8" CETL USA
APPROVED, CONFORMING TO UL STD. 325 & ANSI-BHMA STD. A156.10
CERTIFIED TO CAN. CSA STD. C22.2#247 AS MANUFACTURED BY
HUNTER ACCESS TECHNOLOGIES INC.
COMPLETE DOOR SYSTEM MUST MEET ANSI A156.10 STANDARDS

STANDARD FINISH: CLEAR ANODIZE, DARK BRONZE,
SPECIAL FINISHES ARE AVAILABLE

120V AC, 60HZ, 15A.
BY ELEC. CONTRACTOR.



ELEVATION



125 KENYON DRIVE
SUITE #3
LAKEWOOD, NJ 08701
TEL: 732-942-6099
FAX: 732-942-6033
www.hunteraccesstechnologies.com

SHEET TITLE:		SHEET NO.	
ARCHITECT:		7	
CONTRACTOR:		SECTION	
SCALE:	DRAWN BY:	DATE:	FA