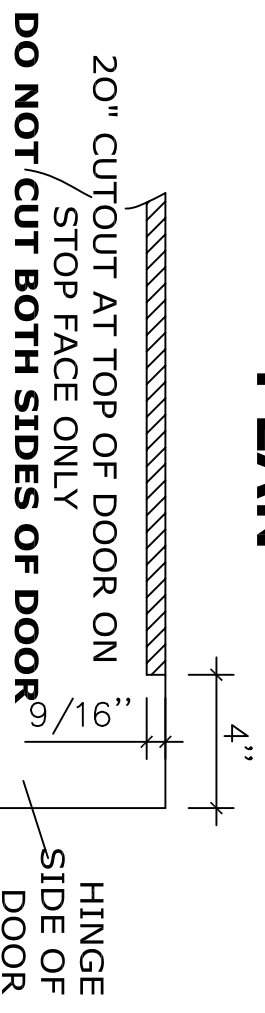
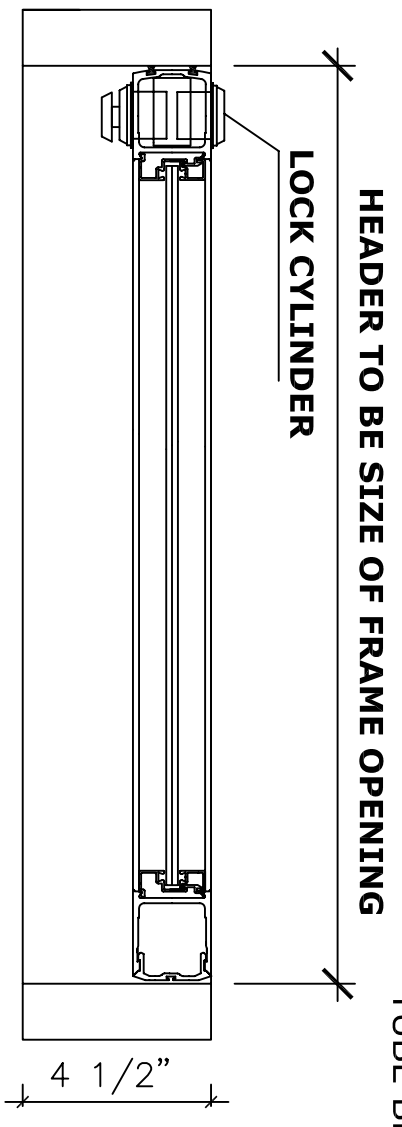


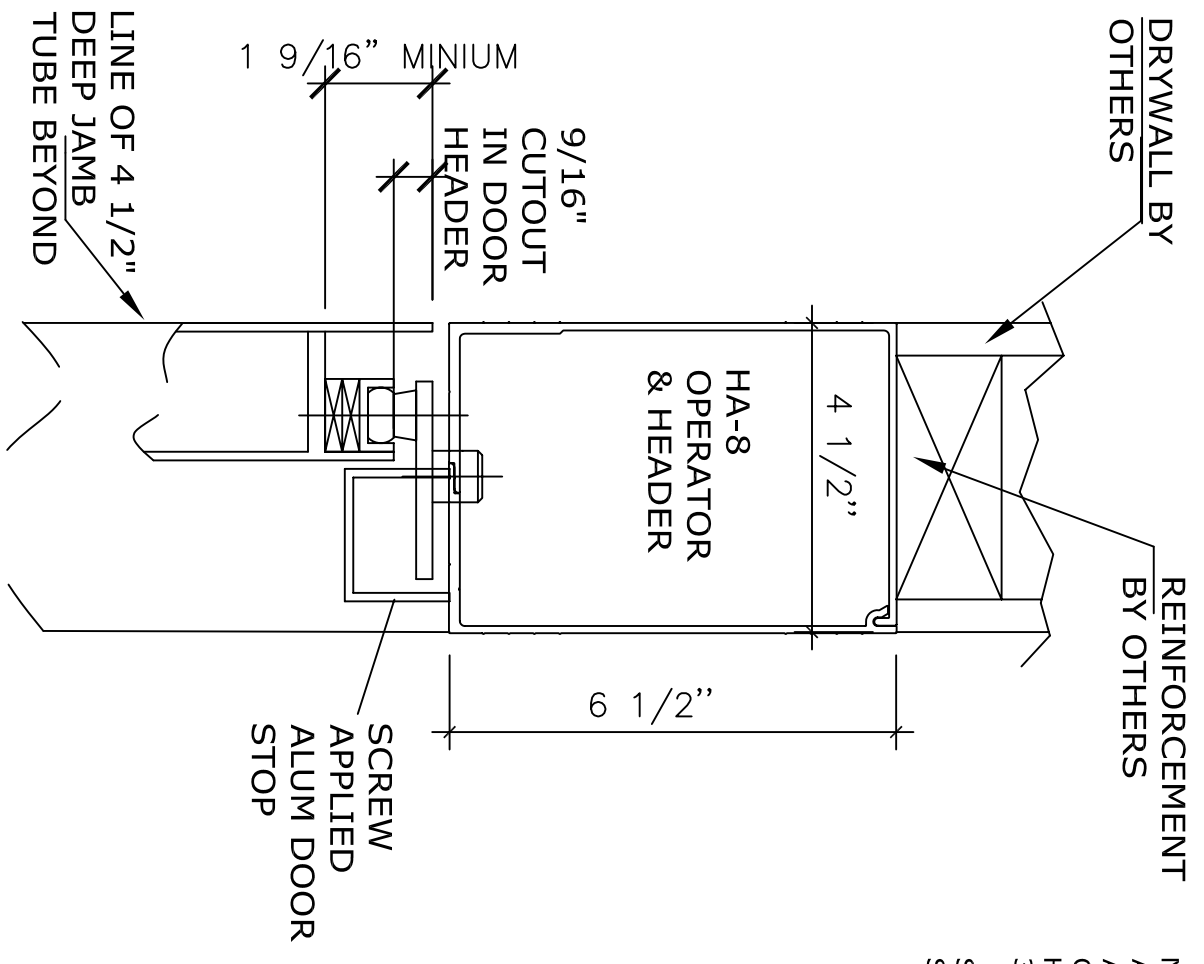
INTERIOR  
**PLAN**



**ELEVATION OF DOOR**



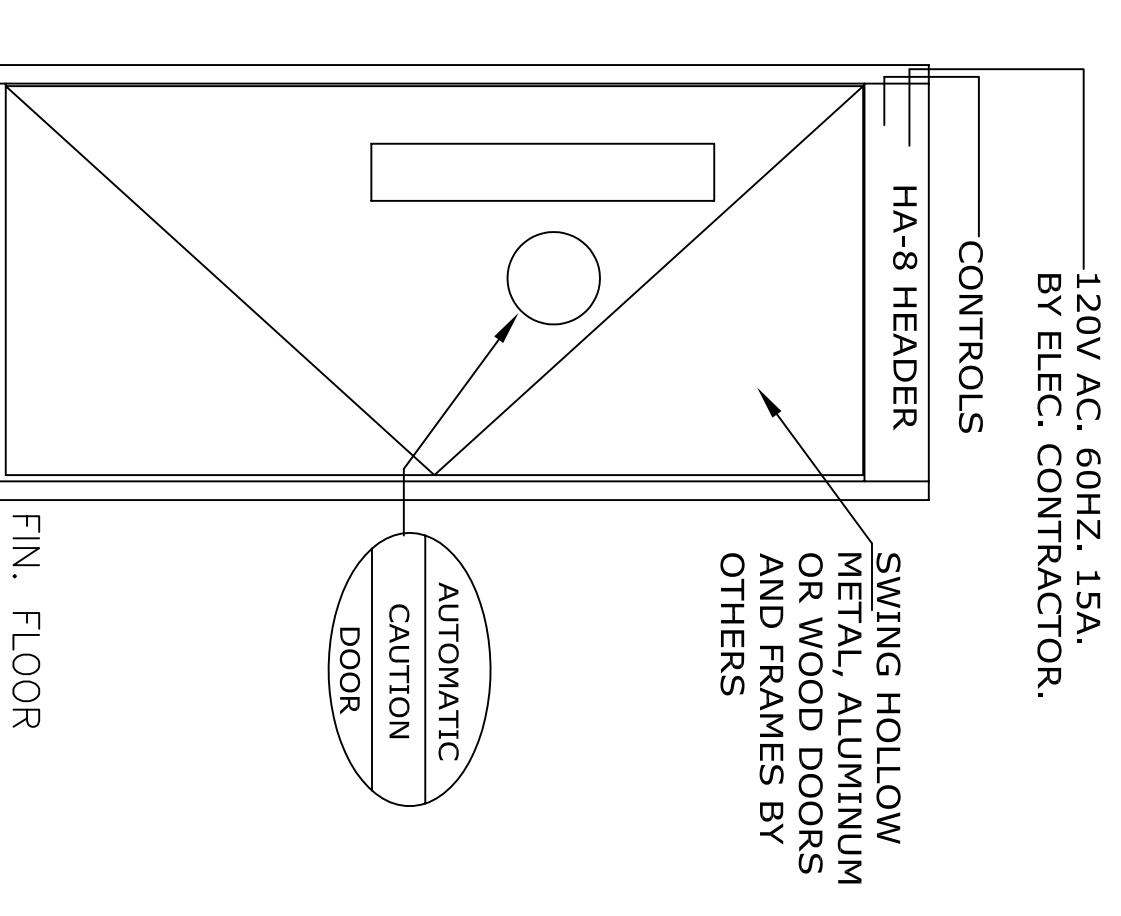
INTERIOR  
**HORIZONTAL SECTION**



**VERTICAL SECTION**

**APPLICATION:**  
HA-8-CS-3 LOW ENERGY OPERATOR  
RIGHT HAND BUTT HUNG/OFFSET PIVOT.

**NOTE:**  
AUTOMATIC SWING DOOR OPERATOR SHALL BE "HA-8" CETL USA APPROVED, CONFORMING TO UL STD. 325 & ANSI-BHMA STD. A156.19 CERTIFIED TO CAN. CSA STD. C22.2#247 AS MANUFACTURED BY HUNTER ACCESS TECHNOLOGIES INC.  
32" CLEAR OPENING REQUIRED TO MEET ADA REQUIREMENT.  
STANDARD FINISH: CLEAR ANODIZE, DARK BRONZE,  
SPECIAL FINISHES ARE AVAILABLE



**ELEVATION**

**NOTE:**  
HUNTER ACCESS TECHNOLOGIES INC. RESERVES  
THE RIGHT TO CHANGE & IMPROVE IT'S  
PRODUCTS & SPECIFICATIONS WITHOUT NOTICE.



125 KENYON DRIVE  
SUITE #3  
LAKEWOOD, NJ 08701  
TEL. 732-942-6099  
FAX. 732-942-6033  
www.hunteraccesstechnologies.com

SHEET TITLE:		SHEET NO.	
ARCHITECT:		<b>10</b>	
CONTRACTOR:		SECTION	
SCALE:	DRAWN BY:	<b>HA</b>	
DATE:			