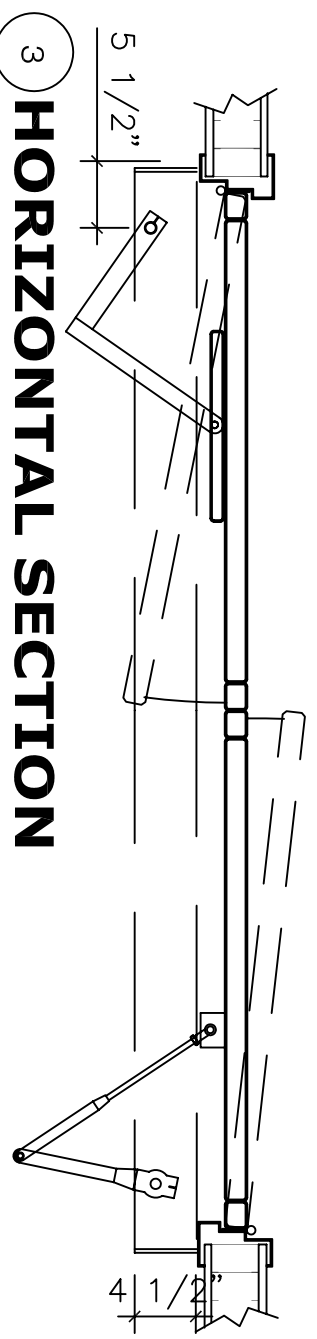
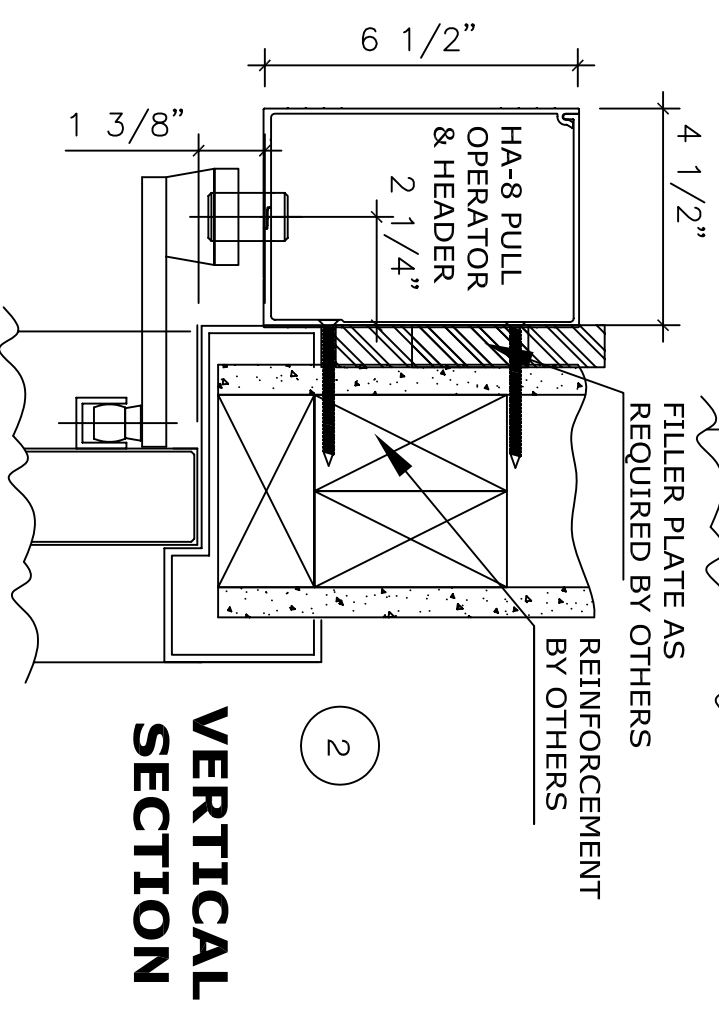
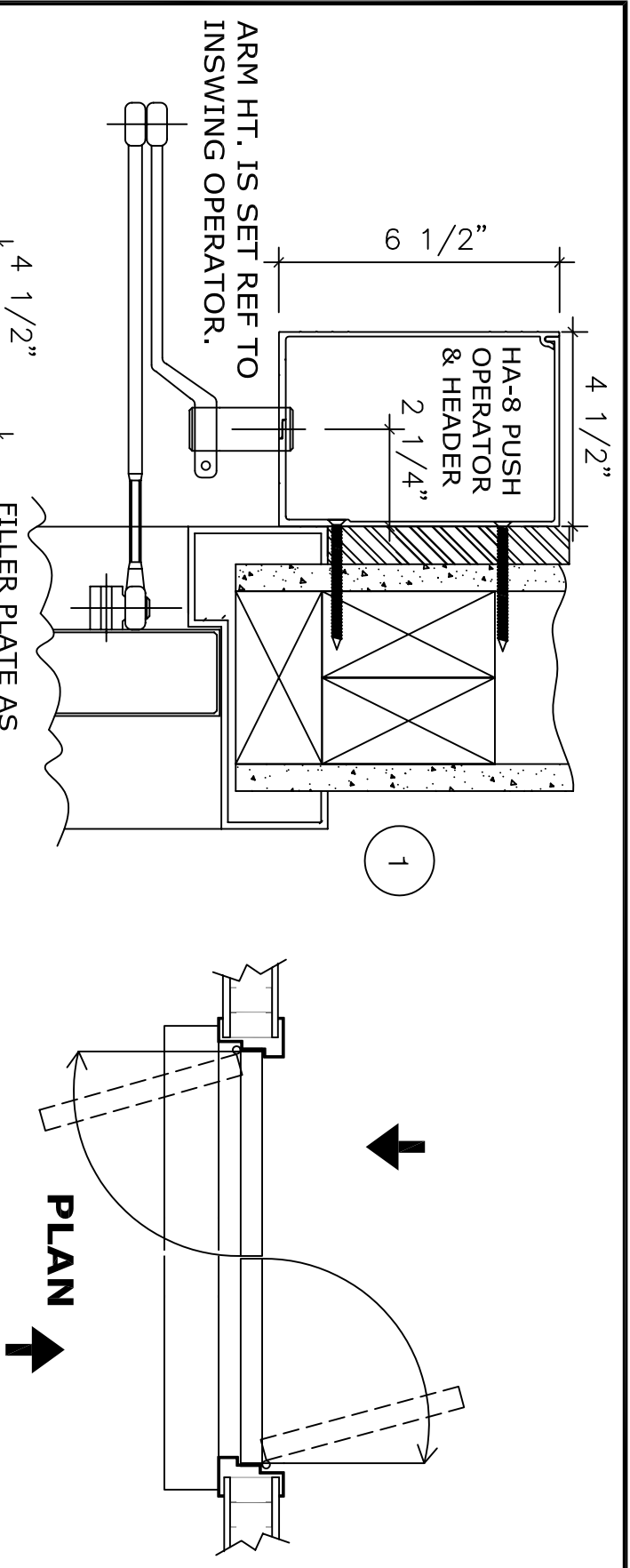


APPLICATION:
 HA-8-DE-3 LOW ENERGY OPERATOR
 DUAL EGRESS RIGHT HAND.

NOTE:
 AUTOMATIC SWING DOOR OPERATOR SHALL BE "HA-8" CETL USA APPROVED, CONFORMING TO UL STD. 325 & ANSI-BHMA STD. A156.19 CERTIFIED TO CAN. CSA STD. C22.2#247 AS MANUFACTURED BY HUNTER ACCESS TECHNOLOGIES INC.
 32" CLEAR OPENING REQUIRED TO MEET ADA REQUIREMENT.

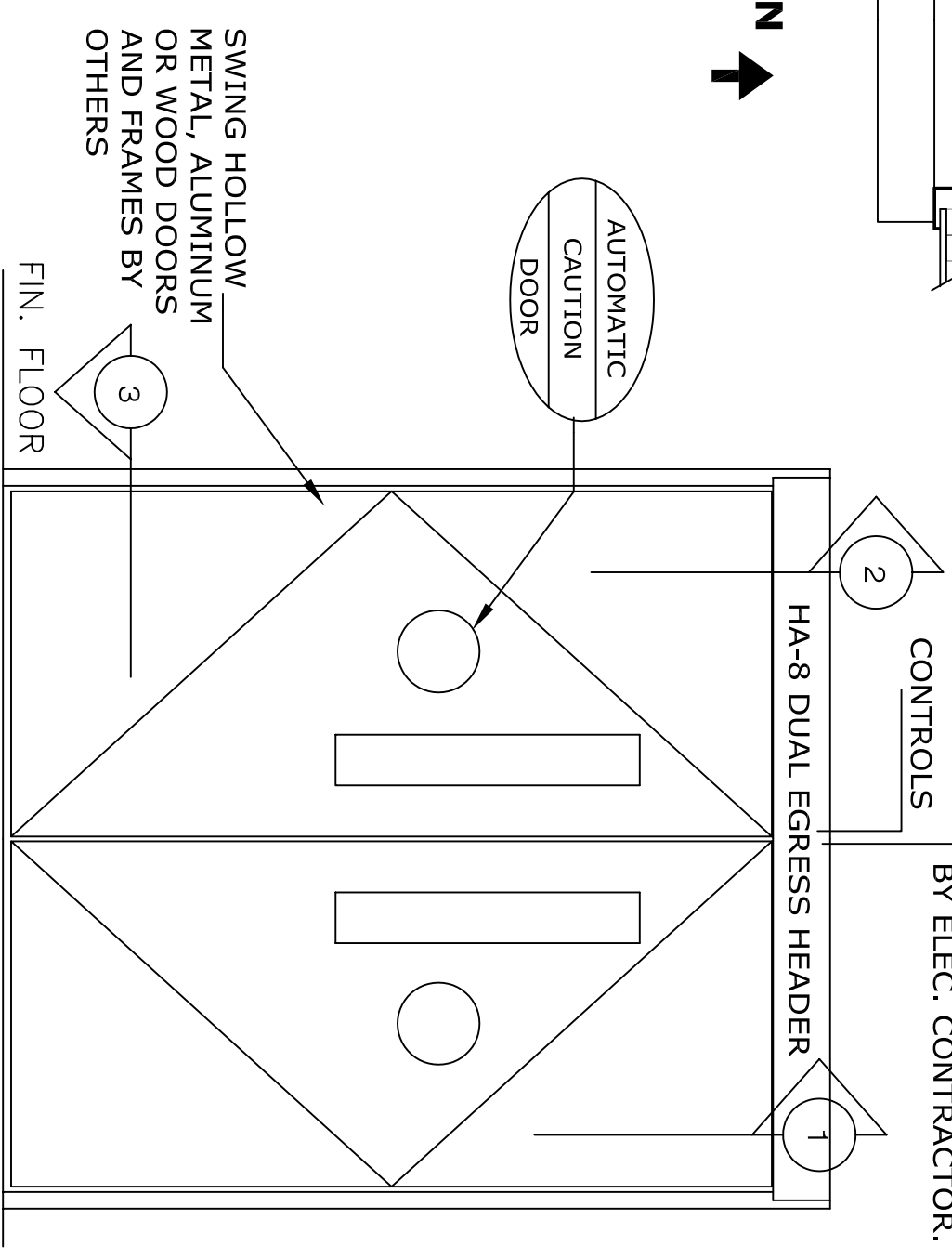
STANDARD FINISH: CLEAR ANODIZE, DARK BRONZE,
 SPECIAL FINISHES ARE AVAILABLE

120V AC, 60HZ, 15A.
 BY ELEC. CONTRACTOR.



3 HORIZONTAL SECTION

VERTICAL SECTION



ELEVATION

NOTE:
 HUNTER ACCESS TECHNOLOGIES INC. RESERVES THE RIGHT TO CHANGE & IMPROVE IT'S PRODUCTS & SPECIFICATIONS WITHOUT NOTICE.

Hunter
 ACCESS TECHNOLOGIES INC.
 125 KENYON DRIVE
 SUITE #3
 LAKEWOOD, NJ 08701
 TEL. 732-942-6099
 FAX. 732-942-6033
 www.hunteraccesstechnologies.com

SHEET TITLE:		SHEET NO.	
ARCHITECT:		13	
CONTRACTOR:		SECTION	
SCALE:	DRAWN BY:	DATE:	HA