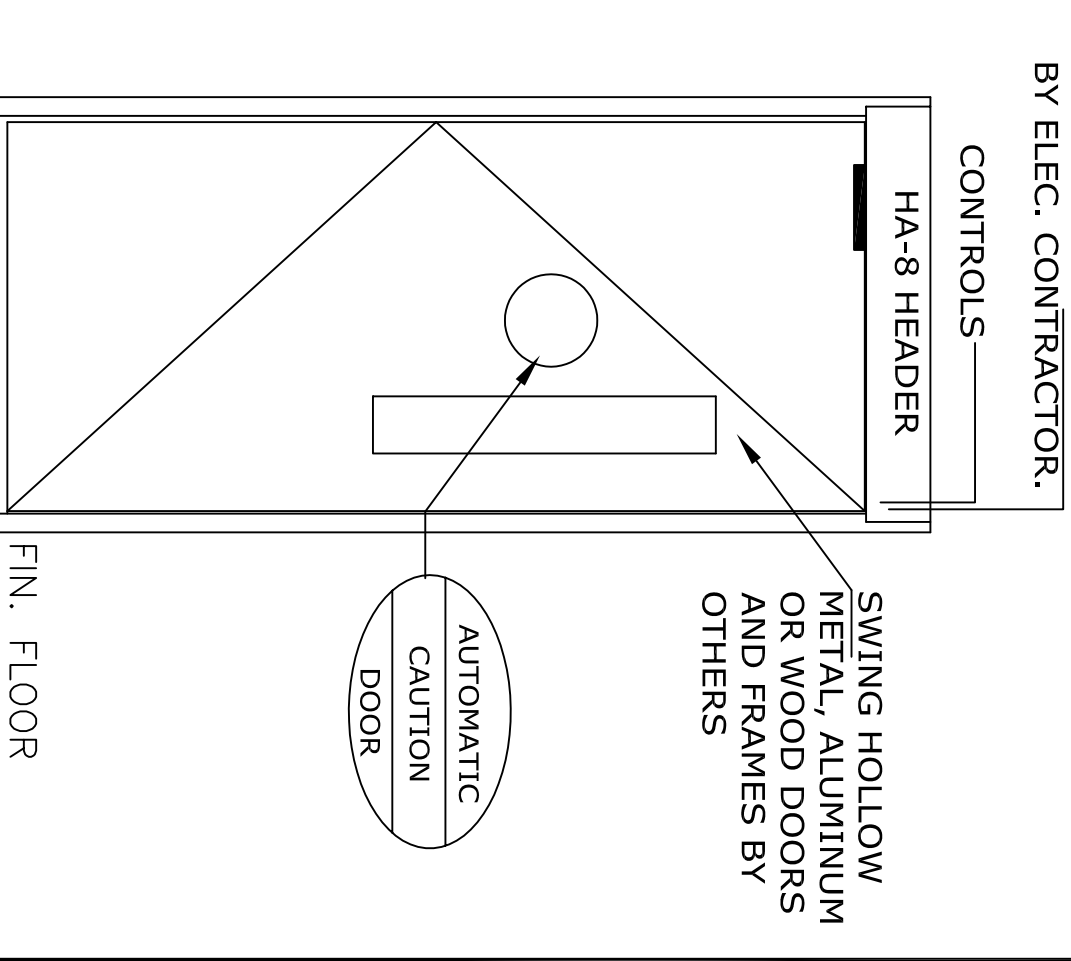


APPLICATION:
 HA-8-2-3 LOW ENERGY OPERATOR
 RIGHT HAND PULL.

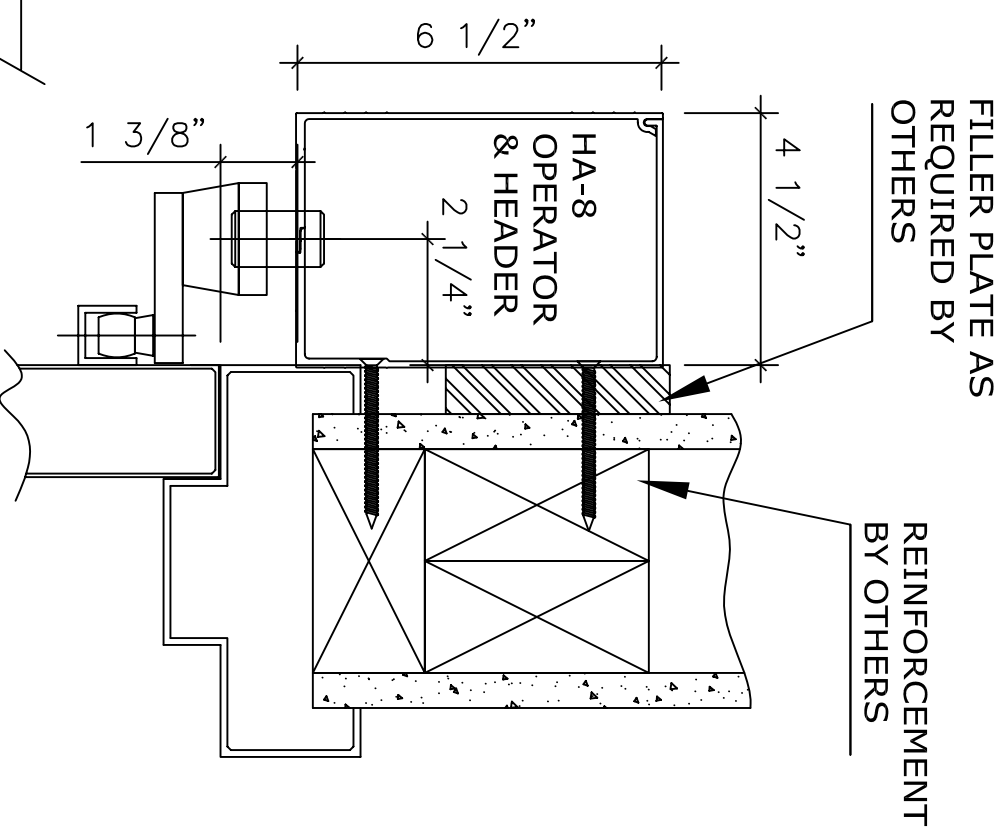
NOTE:
 AUTOMATIC SWING DOOR OPERATOR SHALL BE "HA-8" CETL USA APPROVED, CONFORMING TO UL STD. 325 & ANSI-BHMA STD. A156.19 CERTIFIED TO CAN. CSA STD. C22.2#247 AS MANUFACTURED BY HUNTER ACCESS TECHNOLOGIES INC.
 32" CLEAR OPENING REQUIRED TO MEET ADA REQUIREMENT.

STANDARD FINISH: CLEAR ANODIZE, DARK BRONZE,
 SPECIAL FINISHES ARE AVAILABLE

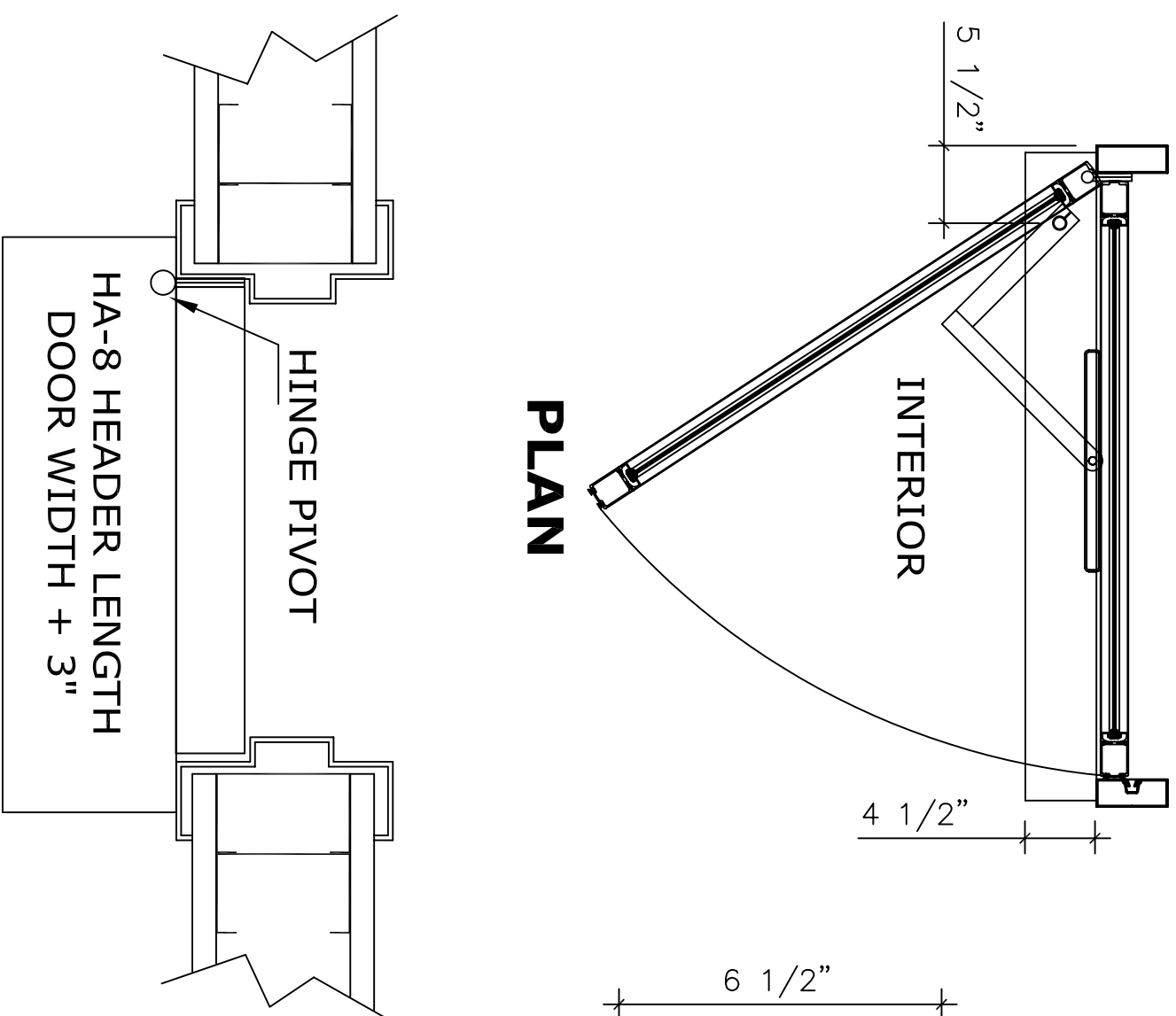
120V AC. 60HZ. 15A.
 BY ELEC. CONTRACTOR.



ELEVATION



VERTICAL SECTION



HORIZONTAL SECTION

NOTE:
 HUNTER ACCESS TECHNOLOGIES INC. RESERVES THE RIGHT TO CHANGE & IMPROVE IT'S PRODUCTS & SPECIFICATIONS WITHOUT NOTICE.



125 KENYON DRIVE
 SUITE #3
 LAKEWOOD, NJ 08701
 TEL: 732-942-6099
 FAX: 732-942-6033
 www.hunteraccesstechnologies.com

SHEET TITLE:		SHEET NO.	
ARCHITECT:		4	
CONTRACTOR:		SECTION	
SCALE:	DRAWN BY:	DATE:	HA