

120V AC. 60HZ. 15A.
BY ELEC. CONTRACTOR.

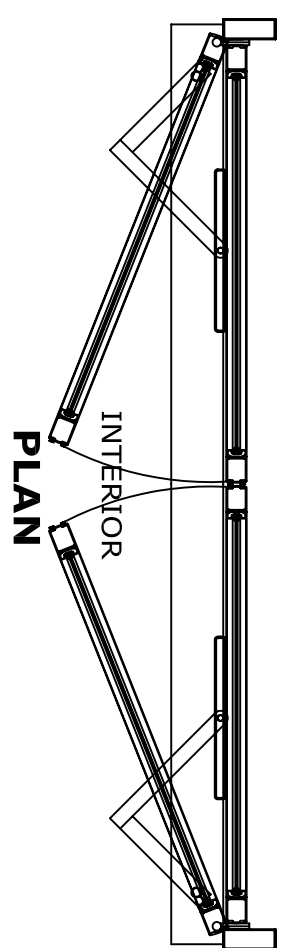
HA-8 HEADER

SWING HOLLOW
METAL, ALUMINUM
OR WOOD DOORS
AND FRAMES BY
OTHERS

AUTOMATIC
CAUTION
DOOR

FIN. FLOOR

ELEVATION



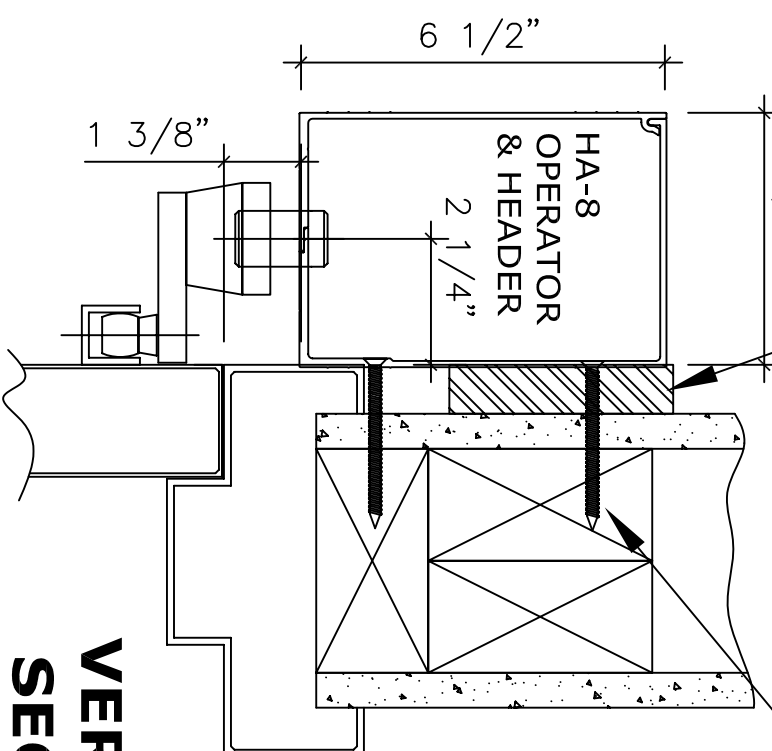
INTERIOR
PLAN

APPLICATION:
HA-8-2-5 LOW ENERGY OPERATOR
PAIR DOORS PULL.

NOTE:
AUTOMATIC SWING DOOR OPERATOR SHALL BE "HA-8" CETL USA
APPROVED, CONFORMING TO UL STD. 325 & ANSI-BHMA STD. A156.19
CERTIFIED TO CAN. CSA STD. C22.2#247 AS MANUFACTURED BY
HUNTER ACCESS TECHNOLOGIES INC.
32" CLEAR OPENING REQUIRED TO MEET ADA REQUIREMENT.
STANDARD FINISH: CLEAR ANODIZE, DARK BRONZE,
SPECIAL FINISHES ARE AVAILABLE

FILLER PLATE AS
REQUIRED BY OTHERS

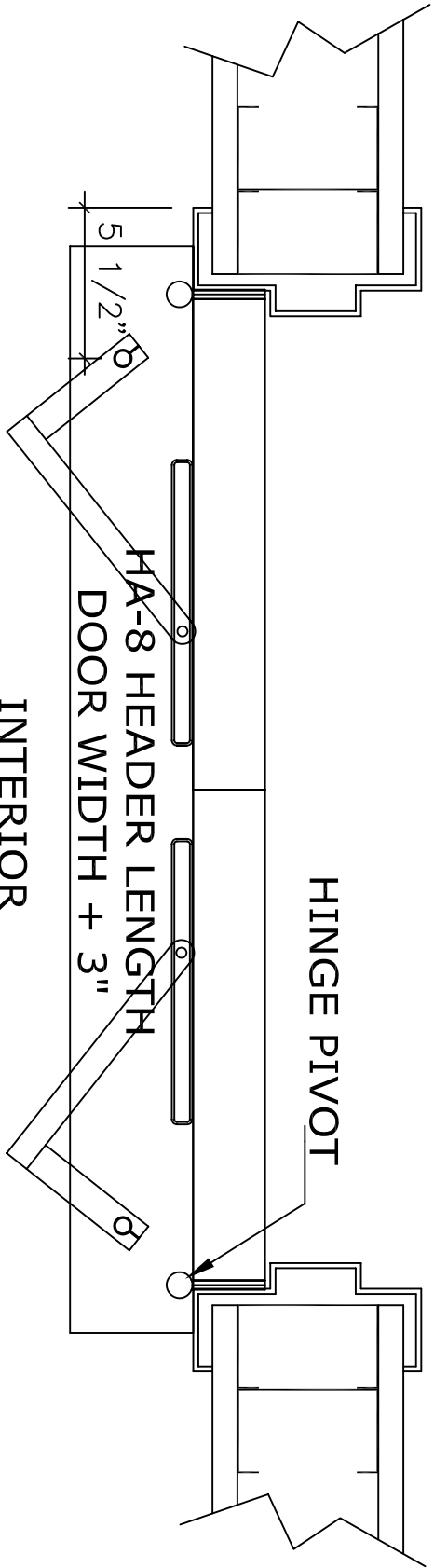
REINFORCEMENT
BY OTHERS



**VERTICAL
SECTION**

INTERIOR

HORIZONTAL SECTION



HA-8 HEADER LENGTH
DOOR WIDTH + 3"

HINGE PIVOT

NOTE:
HUNTER ACCESS TECHNOLOGIES INC. RESERVES
THE RIGHT TO CHANGE & IMPROVE IT'S
PRODUCTS & SPECIFICATIONS WITHOUT NOTICE.



125 KENYON DRIVE
SUITE #3
LAKEWOOD, N.J. 08701
TEL: 732-942-6099
FAX: 732-942-6033
www.hunteraccess technologies.com

SHEET TITLE:		SHEET NO.	
ARCHITECT:		6	
CONTRACTOR:		SECTION	
SCALE:	DRAWN BY:	DATE:	HA