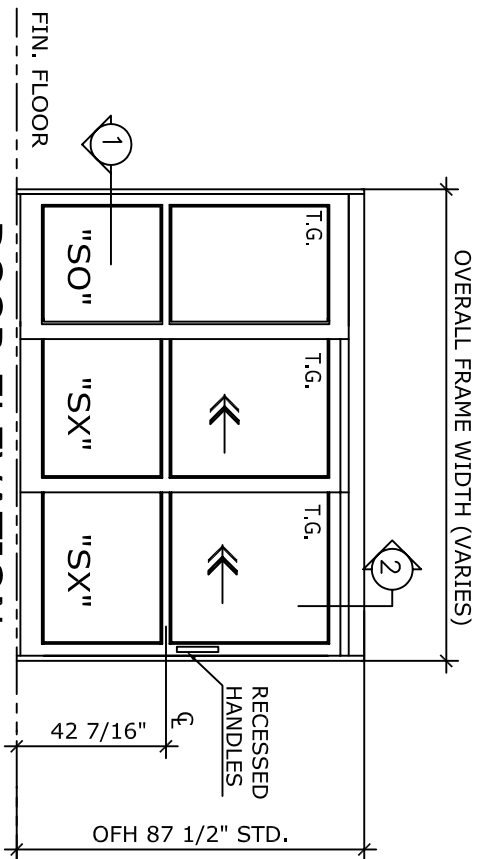


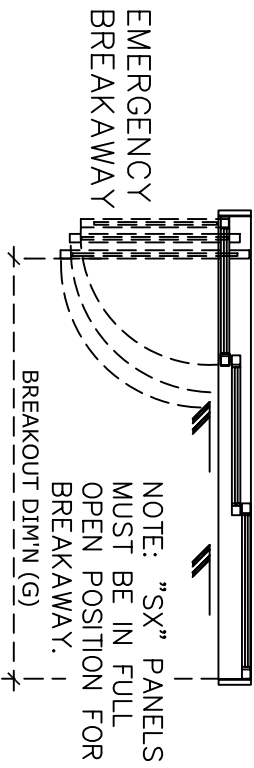
NOTE:  
 MANUAL SLIDING DOOR SYSTEM SHALL BE HUNTER "IC-18" AS  
 ENGINEERED, MANUFACTURED & ASSEMBLED BY HUNTER ACCESS  
 TECHNOLOGIES INC.

STANDARD FINISH: ANODIZED, CLEAR; DARK BRONZE;  
 SPECIAL FINISHES ARE AVAILABLE

APPLICATION:  
 IC-18-3-TKTL. TRACKLESS TELESCOPIC LEFT HAND,  
 INTENSIVE CARE UNIT SLIDER SYSTEM.



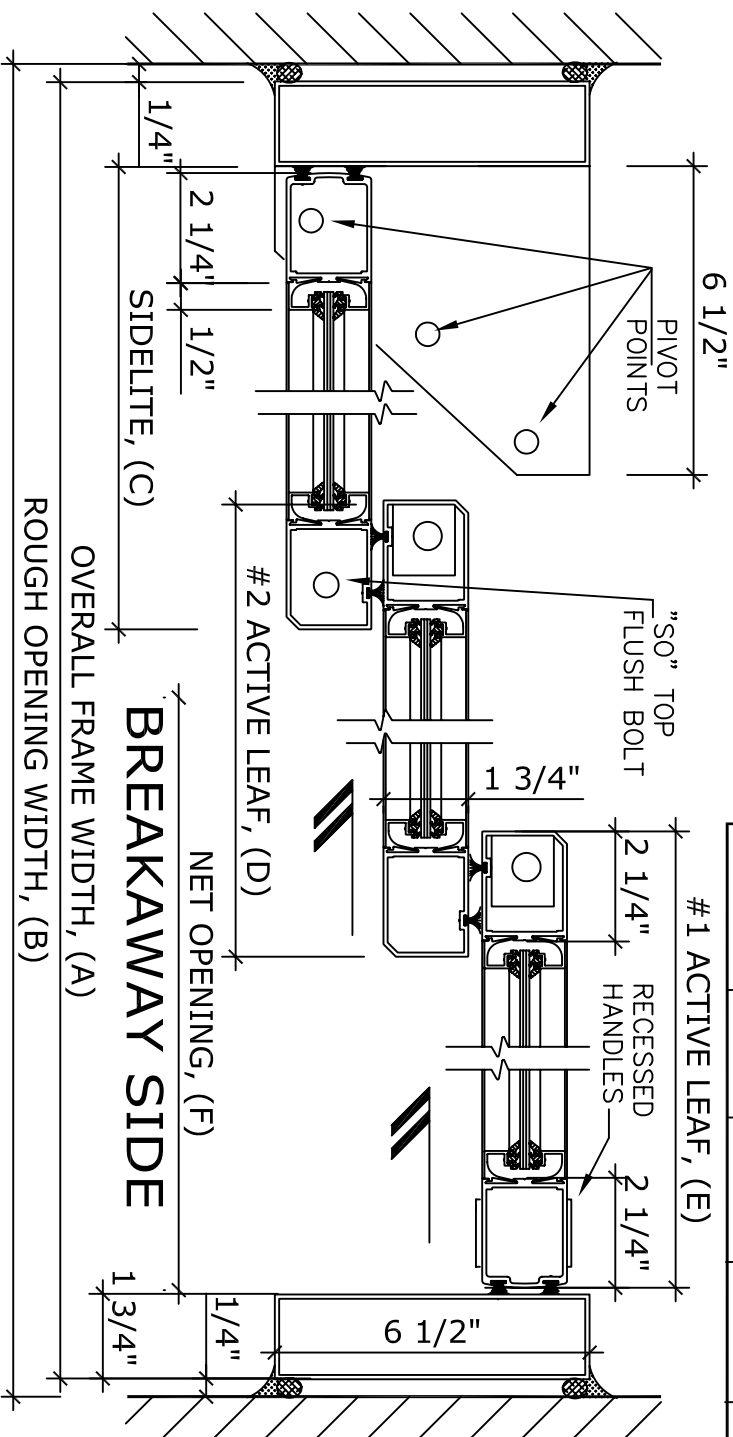
DOOR ELEVATION



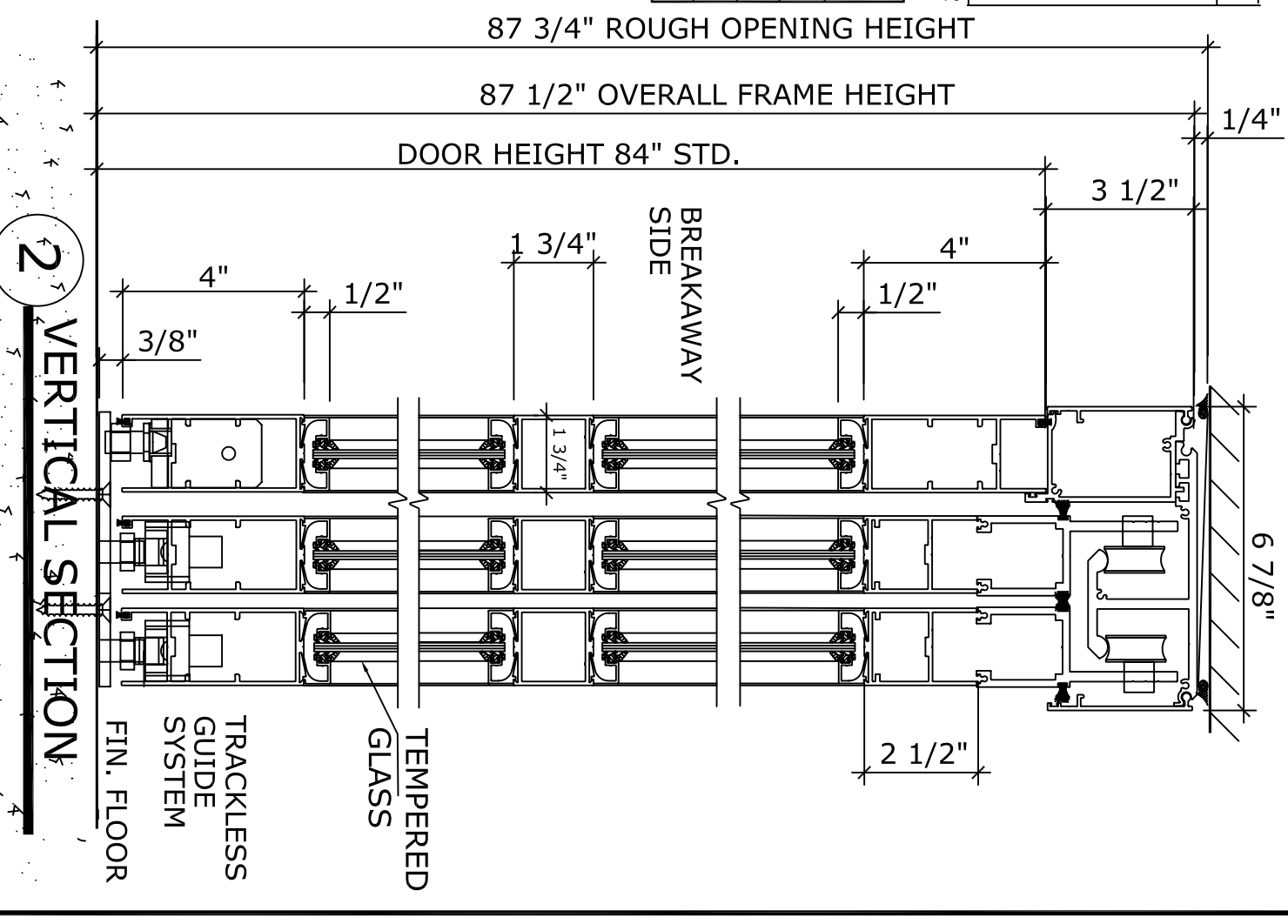
EMERGENCY  
 BREAKAWAY

DOOR TYPE: IC18-3-TKTL-	OVERALL FRAME WIDTH	ROUGH OPENING WIDTH	SIDELITE WIDTH	#2 ACTIVE WIDTH	#1 ACTIVE WIDTH	NET DOOR OPENING	BREAK OUT DIM'N
TKTL-7	84"	84 1/2"	22 11/16"	28 11/16"	34 11/16"	40 13/16"	73 1/2"
TKTL-8	96"	96 1/2"	26 11/16"	32 11/16"	38 11/16"	48 13/16"	85 1/2"
TKTL-9	108"	108 1/2"	30 11/16"	36 11/16"	42 11/16"	56 13/16"	97 1/2"
KEY (INCHES)	(B-1/2)	(A+1/2)	(A-16)/3	(C+6)	(D+6)	A-(E+8 1/2)	(A-10 1/2)

REFER TO RELEVANT (LOCAL, STATE, NATIONAL OR AHJ) BUILDING CODE FOR MIN DOOR  
 HEIGHT & MIN/MAX WIDTH ALLOWABLE FOR EGRESS REQUIREMENT.



HORIZONTAL SECTION



VERTICAL SECTION

NOTE:  
 HUNTER ACCESS TECHNOLOGIES INC. RESERVES  
 THE RIGHT TO CHANGE & IMPROVE ITS  
 PRODUCTS & SPECIFICATIONS WITHOUT NOTICE.



125 KENYON DRIVE  
 SUITE #3  
 LAKEWOOD, NJ 08701  
 TEL. 732-942-6099  
 FAX: 732-942-6033  
 www.hunteraccesstechnologies.com

SHEET TITLE:	SHEET NO.
ARCHITECT:	4
CONTRACTOR:	SECTION
DETAIL SCALE	IC
DRAWN BY	
DATE	