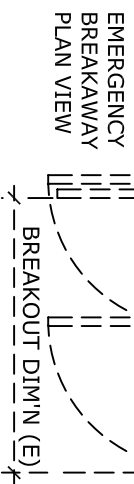
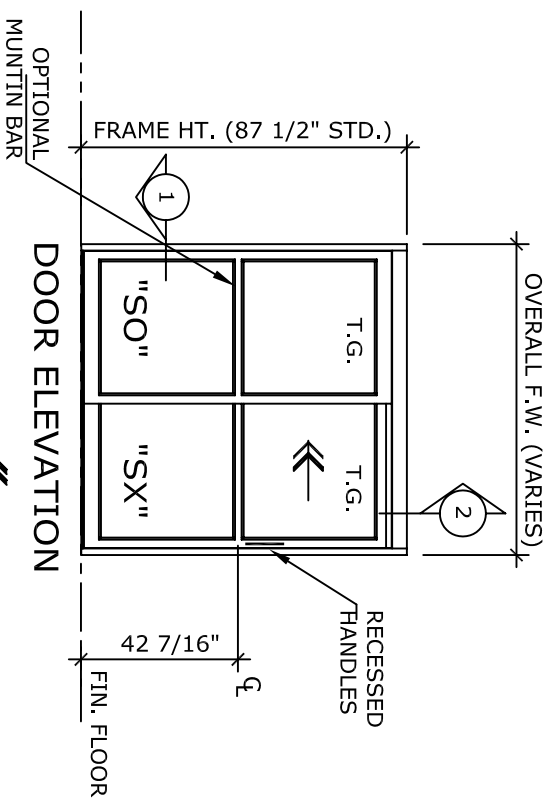


NOTE:  
 MANUAL SLIDING DOOR SYSTEM SHALL BE HUNTER "IC-18" AS  
 ENGINEERED, MANUFACTURED & ASSEMBLED BY HUNTER ACCESS  
 TECHNOLOGIES INC.

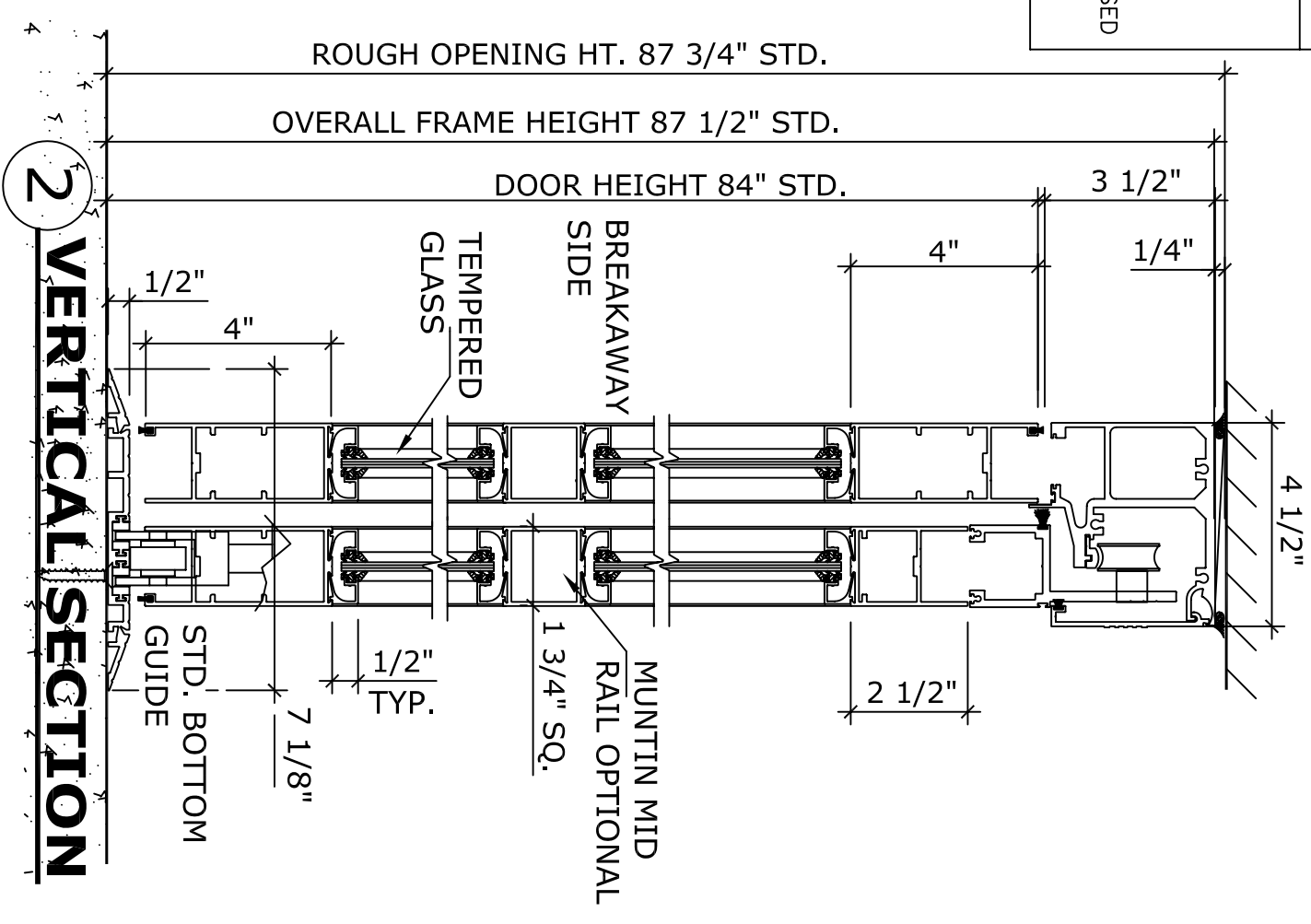
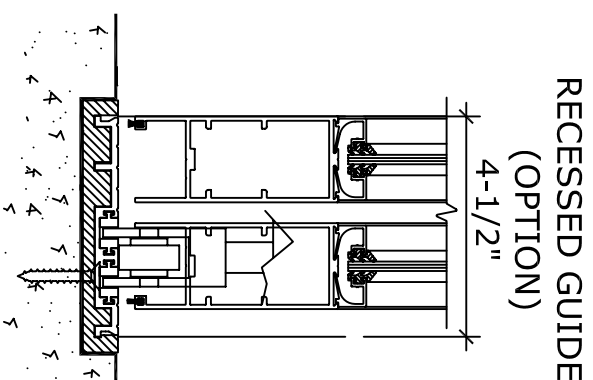
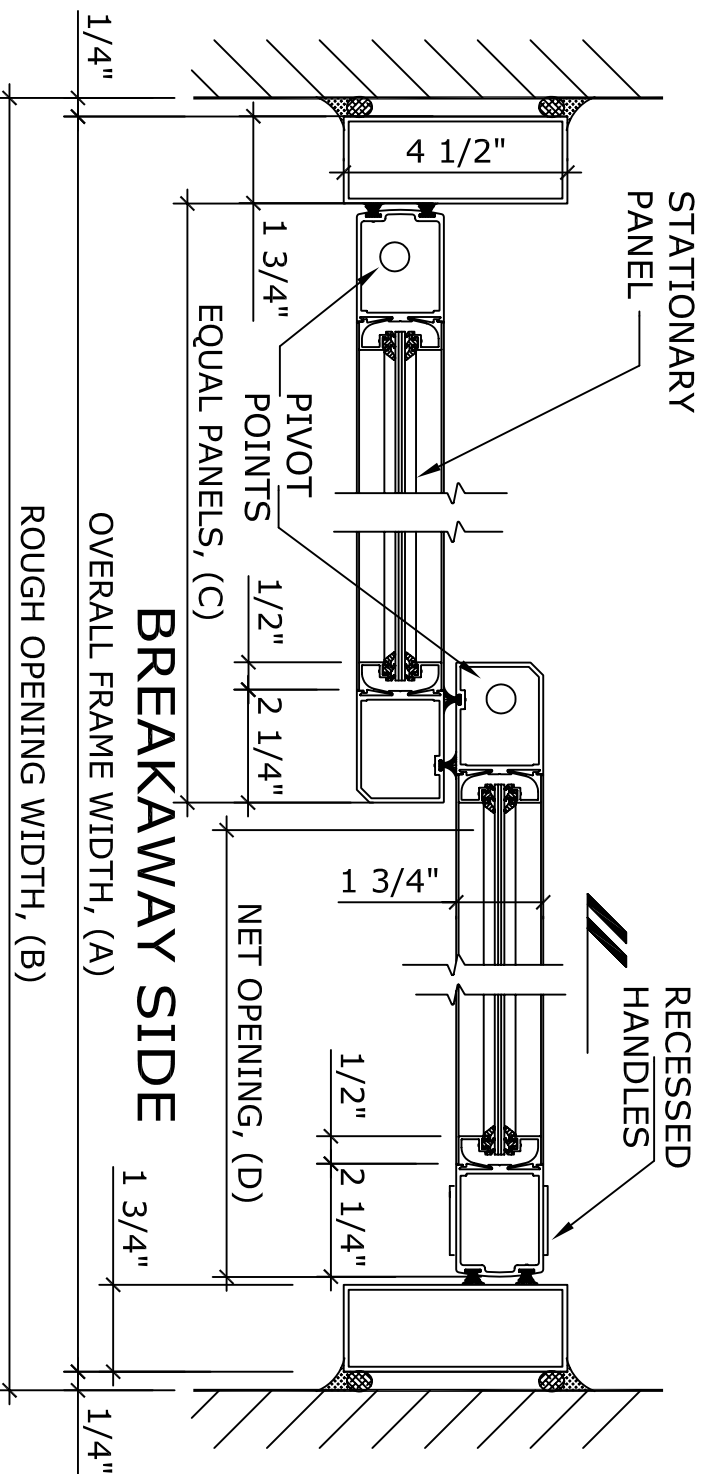
STANDARD FINISH: ANODIZED, CLEAR; DARK BRONZE;  
 SPECIAL FINISHES ARE AVAILABLE

APPLICATION:  
 IC-18-1-FBL, FULL BREAKOUT LEFT HAND,  
 INTENSIVE CARE UNIT SLIDER SYSTEM.



UNIT DESCRIPTION					
HUNTER IC-18-1-FBL					
SO-SX: OVERHEAD CONCEALED FULL BREAKOUT L.H. SINGLE SLIDE NARROW STILE MANUAL DOOR SYSTEM. STD. PACKAGE SHALL INCLUDE LOW PROFILE HEADER, FRAME AND DOORS WITH MUNTIN, 4" BOTTOM RAILS WITH CONCEALED SWEEP, BRUSH-PILE WEATHER STRIPPING, EMERGENCY BREAKAWAY, RECESSED HANDLES, GLAZING STOPS FOR 1/4" T.G., BOTTOM GUIDE TRACK SHALL BE UNDER SIDELITE OR PART OF FULL WIDTH THRESHOLD.					
DOOR TYPE:	OVERALL FRAME WIDTH	ROUGH OPENING WIDTH	EQUAL PANELS WIDTH	NET DOOR OPENING	BREAK OUT DIM'N
IC18-1-FBL-	A	B	C	D	E
FBL-7	84"	84 1/2"	41 9/16"	35 1/4"	74 3/4"
FBL-8	96"	96 1/2"	47 9/16"	41 1/4"	86 3/4"
FBL-9	108"	108-1/2"	53 9/16"	47 1/4"	98 3/4"
KEY (INCHES)	(B-1/2)	(A+1/2)	(A/2-7/16)	(A/2-6 3/4)	(A-9 1/4)

REFER TO RELEVANT (LOCAL, STATE, NATIONAL OR AHJ) BUILDING CODE FOR MIN DOOR  
 HEIGHT & MIN/MAX WIDTH ALLOWABLE FOR EGRESS REQUIREMENT.



# 1 HORIZONTAL SECTION

# 2 VERTICAL SECTION

NOTE:  
 HUNTER ACCESS TECHNOLOGIES INC. RESERVES  
 THE RIGHT TO CHANGE & IMPROVE IT'S  
 PRODUCTS & SPECIFICATIONS WITHOUT NOTICE.

**Hunter**  
 ACCESS TECHNOLOGIES INC.  
 125 KENYON DRIVE  
 SUITE #3  
 LAKEWOOD, NJ 08701  
 TEL. 732-942-6099  
 FAX. 732-942-6033  
 www.hunteraccesstechnologies.com

SHEET TITLE:	SHEET NO. <b>7</b>
ARCHITECT:	
CONTRACTOR:	
SCALE:	
DRAWN BY:	
DATE:	
SECTION	<b>IC</b>